

## AFTERCARE INSTRUCTIONS

Your fitting has a high quality finish and should be treated with care to preserve the visible surfaces.

All surface finishes will wear if not cleaned correctly, the only safe way to clean your mixer is to wipe with a soft damp cloth. Stains can be removed using washing up liquid. All bath cleaning powders and liquids will damage the surface of your fitting, even the non-scratch cleaners. **NOTE: Never use abrasive detergents or disinfectants or those containing alcohol, hydrochloric acid or phosphoric acid.**

Bristan recommend E-Cloth for cleaning all of our bathroom & kitchen products. Using just water, E-cloth gives a smear free, deep clean by breaking up and holding dirt, which normal cloths leave behind. Order through your Bristan stockist. (ORDER CODE: ECLOTH)



## GUARANTEE

All products are manufactured to the highest standards and a 1 year guarantee covers any defect in manufacture.

**NOTE: All products must have access for servicing or replacement during the life of the product.**

In the interests of continuous product development we reserve the right to alter specification as necessary

**TELEPHONE HELPLINE: 0844 701 6273**

Bristan Group Limited  
Birch Coppice Business Park  
Dordon  
Tamworth  
Staffordshire  
B78 1SG  
UK  
A Masco Company  
Website: [www.bristan.com](http://www.bristan.com)  
Telephone: 0844 701 6274  
Facsimile: 0844 701 6275  
Email: [enquire@bristan.com](mailto:enquire@bristan.com)

# BRISTAN

## Fixed Riser Rail (N RISE C/G)

## Fitting Instructions & Contents List

Before starting any installation project please consider:

Prior to drilling into walls, check there are no hidden electrical wires, cables or water supply pipes with the aid of an electronic detector. If you use power tools do not forget:

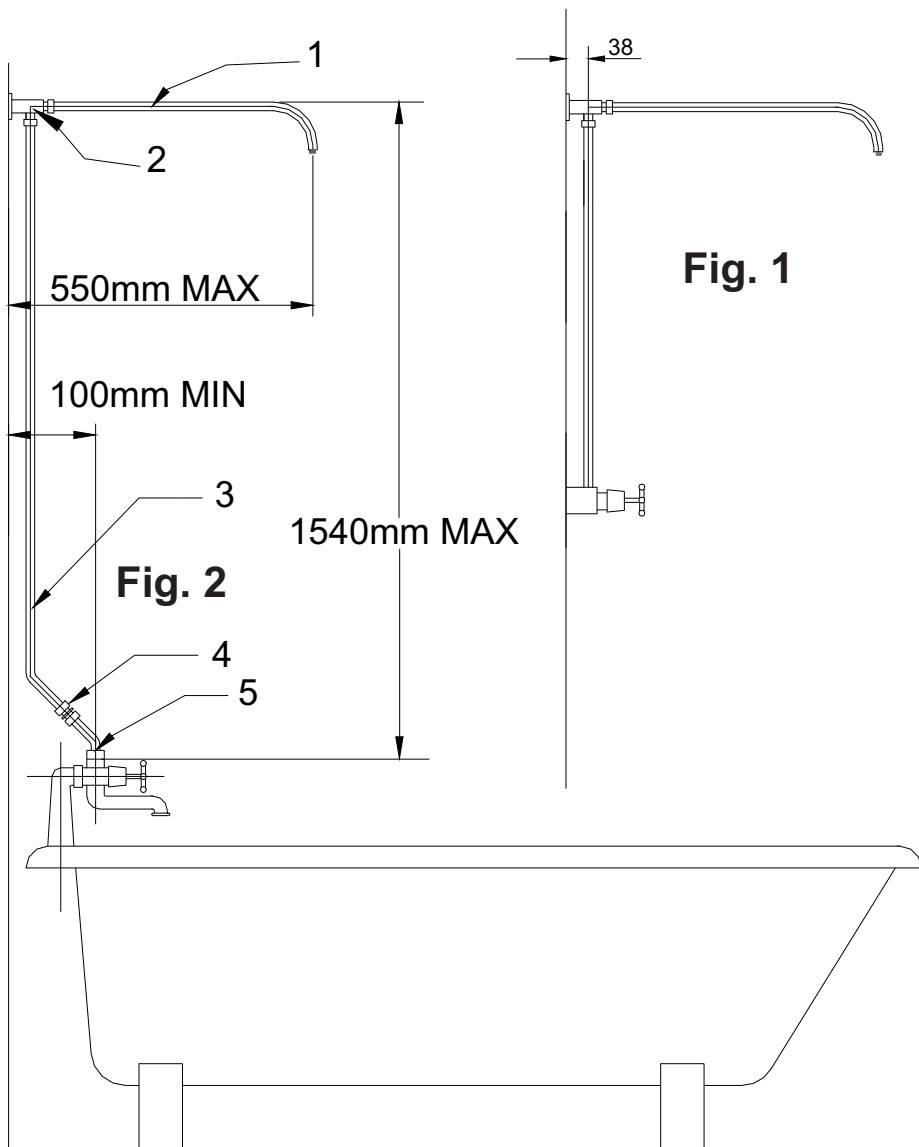
- Wear eye protection
- Unplug equipment after use



**Please keep these instructions for future reference and request of replacement part**

This riser assembly can be used with a shower valve that has a top outlet that incorporates a 15mm compression fitting or a bath shower mixer with a G 3/4" male thread

**PLEASE NOTE:** If required for use with a shower valve the ideal distance between the valve outlet and the wall surface should be 38mm (**Please see Fig.1**).  
If to be used with a bath shower mixer the minimum distance the assembly will suit when cut down to its minimum will be 100mm (**Please see Fig.2**).



## **CONTENTS**

1. Horizontal Shower Arm
2. 90° connection / wall bracket with screws (x2)
3. Vertical Riser Tube
4. Connector
5. Offset riser & nut complete with washer.

## **INSTALLATION**

1. Identify all components and check for completeness, particularly before commencing installation.
2. Decide required position of horizontal shower arm (1) bearing in mind the height of shower users when a shower head (not supplied) is fitted as this will determine the available height to shower under.
3. Mark the position on wall surface for screw holes through holes in wall brackets (2).



4. Drill holes to suit wall plugs supplied (if required - dependant on wall surface riser is to be fitted).
5. **For use with a shower valve** - Trim angled end of vertical riser tube (3) to suit distance between shower valve (not supplied) when fixed to the wall and wall bracket (2) making sure tube fits fully into fittings before screwing wall bracket (2) to the wall.

**Important:** It is important when trimming any tubes that the ends are cut square and in order to minimise the risk of damaging the tubes we recommend the tubes are wrapped and held firmly in a cloth material and then cut with a fine toothed hackshaw or pipe cutter.

6. **For use with a Bath Shower Mixer** - Check the distance between the mixer when fitted to the bath and the wall to determine the required length of the offset riser (5) with connection (4) and vertical riser (3) by loosely assembling first then measuring and marking position(s) where to cut tubes as required. Cut tubes to suit installation making sure all tubes are able to fit fully into fittings. Check the required length of the vertical riser (3) when fitted to connector (4) and offset riser (5) again when fitted to bath to determine where to cut the top of vertical riser (3) so it fits fully into bracket (2) and is in desired position for shower users.
7. The horizontal shower arm (1) can be trimmed to reduce projection within the showering area or over bath as required by cutting the straight end.
8. Connect all joints and tighten (**DO NOT OVERTIGHTEN and protect all chrome plated nuts with cloth to avoid marking during tightening**) and check for leaks.
9. See back page for aftercare instructions.