



Features

- Supplied with metal handles
- Supplied with metal back nuts
- 1.75mm hose and wall bracket
- Supplied Rub clean handset
- Chrome plated to BS EN 248

Product Certifications:

WRAS Approval No. 1403024



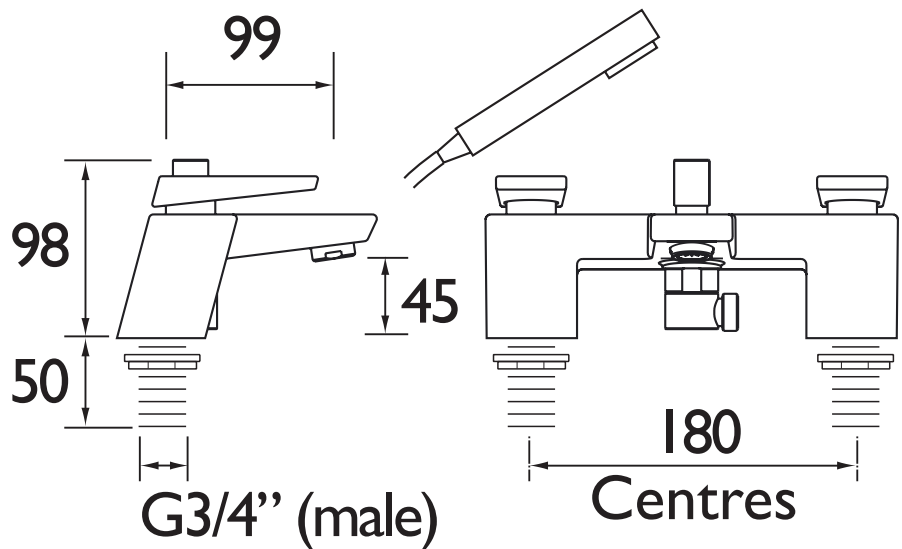
For more products, visit our website:



Specification

Style:	Contemporary
Product Type:	Taps
Finish/Colour:	Chrome
Main Construction Material:	Brass
Mount Type:	Deck Mounted
Handle Type:	Lever
Connection Inlet:	3/4" BSP
Number of Tap Holes Required:	2
Valve/Cartridge Type:	¼ turn ¾" Ceramic Disc
Plumbing System Suitability	Suitable for all plumbing systems
Working Pressure Range:	Min 0.2 Max 5.0 Bar
Maximum Hot Water Temperature: °c	65
Maximum Dynamic Pressure: (bar)	5
Maximum Static Pressure: (bar)	10
Flow Type:	Single
Flow Rate: (l/min @ 3 bar)	29.3
Connection Outlet:	G1/2"
Isolation Included:	No

Dimensions (measurements in mm)



Flow Rates (l/min)

System Pressure (bar)	0.2	0.5	1	2	3	5
SAI BSM C (Handset)	7.3	11.6	16.4	22.6	29.3	36.5
SAI BSM C (Hot)	17.4	29.3	41.1	59.4	72.7	93.9
SAI BSM C (Cold)	17.5	30.2	41.2	58.4	64.4	83.1