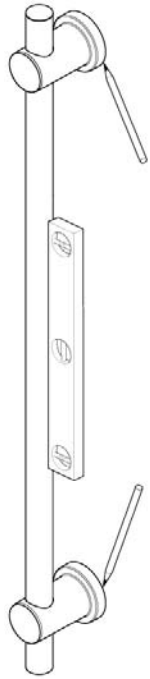
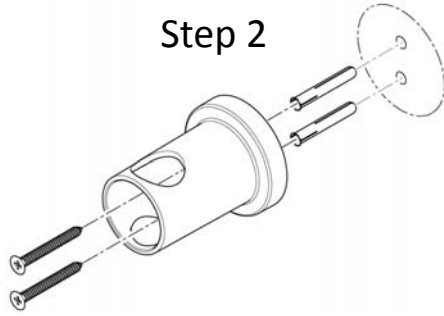


CAS KIT02 C

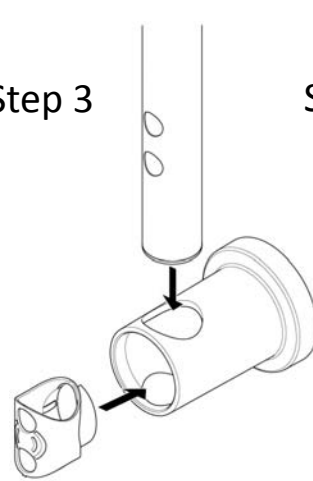
Step 1



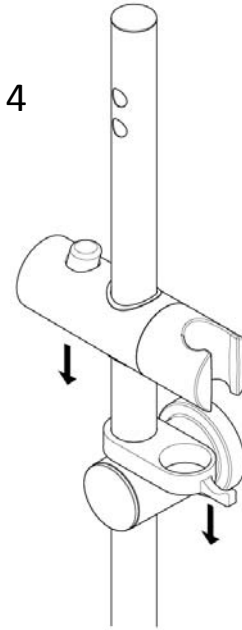
Step 2



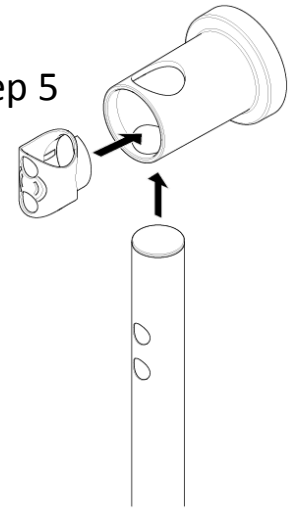
Step 3



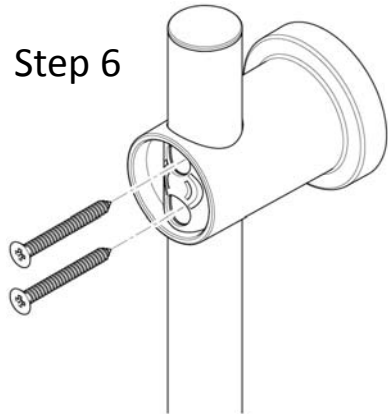
Step 4



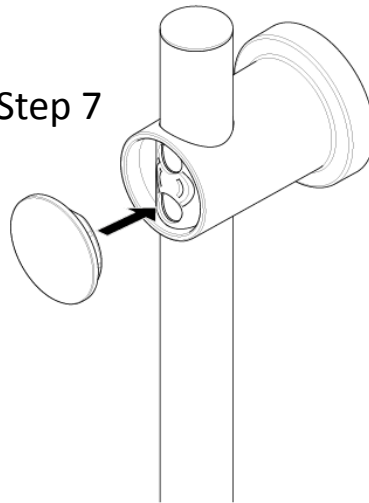
Step 5



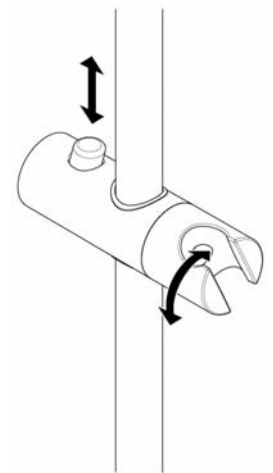
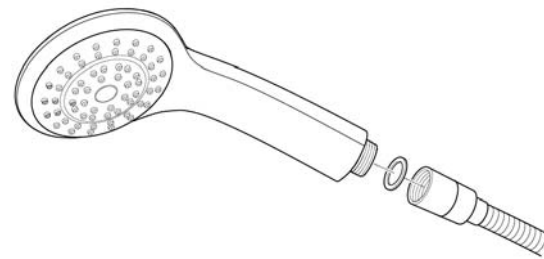
Step 6



Step 7



Step 8



Slider operation