

TECHNICAL DATA SHEET



PRISM

Eco Basin Mixer with Pop-Up Waste

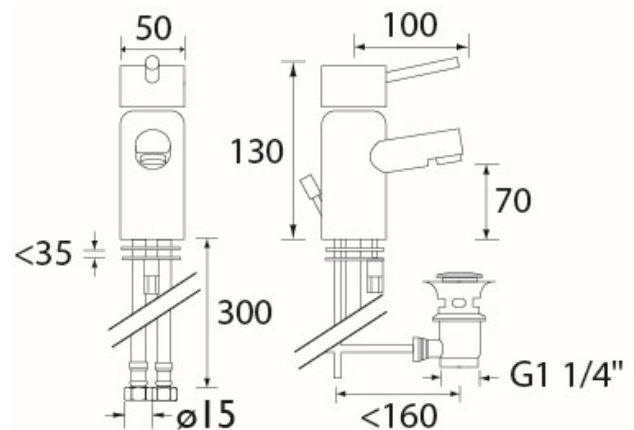
Product Specification

Product Code:	PM EBAS C
Finish:	Chrome
Product Type:	Contemporary
Construction:	Body is of Brass Construction and is designed to conform to BS EN 817
Valve Type:	35mm Eco Ceramic Disc Cartridge
Inlet Connections:	15mm Compression Flexible Tails
Supply:	Suitable for all plumbing systems
Working Pressures:	Min 0.2 Bar, Max 7.0 Bar



Additional Information

- Chrome plated to BS EN 248
- Supplied with metal handle and aerator flow straightener
- Includes Pop-Up Waste
- Incorporates eco-click water saving feature. Cartridge offers subtle resistance as it reaches approximately half of its full flow capability, saving water. For increased flow the eco-click feature can be over-ridden
- Incorporates additional safety feature where the maximum temperature can be controlled by repositioning the plastic collar under the control lever, restricting movement.



Flow Rates (litres per minute)

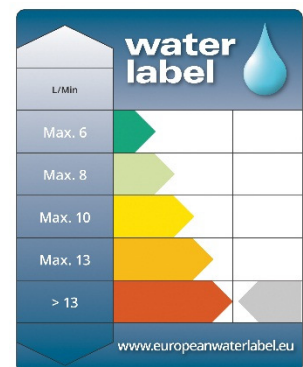
System Pressure	0.2bar	0.5 Bar	1.0 Bar	2.0 Bar	3.0 Bar	5.0 Bar
Basin Mixer (Eco)	4.2	7.3	10.1	13.4	13.2	13.3
Basin Mixer (Full)	5.1	8.8	12.6	18	22	28.6

Compliance/Approvals

WRAS Approval No: 1611005

Technical Advice: For further information please call 0844 7016273 or email customercare@bristan.com

Guarantee: 5 years covering manufacturing faults.



Bristan, Birch Coppice Business Park, Dordon, Tamworth, B78 1SG
 Telephone: 0844 701 6274 Facsimile: 0844 701 6275
 Web Site: www.bristan.com Email: enquire@bristan.com



The information contained on this page was correct at date of issue. Fitting dimensions are provided as a guide only. Some variation may occur due to manufacturing tolerances. Bristan pursues a policy of continuing improvement in design and performance of its products and so reserves the right to change specifications without prior notice.