

MH SNK EF WHT TO

MANHATTAN Tap Range Manhattan Easyfit Mono Sink Mixer White Tap Only



Specification

| | |
|--|--------------------------|
| Product Type: | Kitchen Taps |
| Main Construction Material: | Brass |
| Mount Type: | Deck Mounted |
| Handle Type: | Lever |
| Connection Inlet: | 1/2" BSP Flexible Tails |
| Connection Outlet: | |
| Number of Tap Holes: | 1 |
| Valve/Cartridge Type: | 1/2" Ceramic Disc Valves |
| Plumbing System Requirements: | All, Preferably Balanced |
| Working Pressure Range: | Min 0.3 Bar, Max 5.0 Bar |
| Maximum Hot Water Temperature: °C | 65 |
| Maximum Static Pressure: (bar) | 10 |
| Flow Type: | Dual Flow |
| Isolation Included: | Yes |

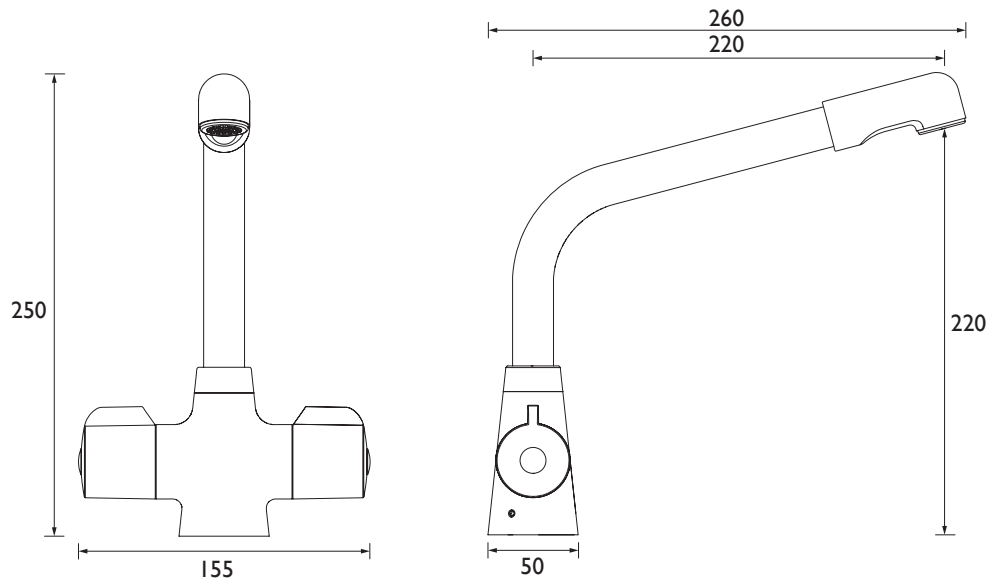
Features:

- Long life and easy to use 1/4 turn ceramic disc valves
- Metal fixing nut for added durability
- Product supplied without Easyfit base

Product Certifications:



Dimensions (measurements in mm)



For more products, visit our website:
<http://www.bristan.com>



Flow Rates (l/min)

| System Pressure (bar) | 0.2 | 0.5 | 1 | 2 | 3 | 5 |
|-----------------------|------|------|------|------|------|------|
| MH SNK EF WHT TO | 10.6 | 13.7 | 18.8 | 27.2 | 33.6 | 43.4 |

TECHNICAL DATA SHEET



BRISTAN

TAPS & SHOWERS

D1