

# PM BAS C

## PRISM Tap Range

Prism Basin Mixer with  
Pop-up Waste Chrome



### Features:

- Long life ceramic cartridge for added durability and ease of use
- Metal fixing nut for added durability
- Easy to use lever handle
- Pop-up waste included

### Product Certifications:



WRAS Cert. Number: 1611005  
WRAS Expiry Date: 30/11/2021



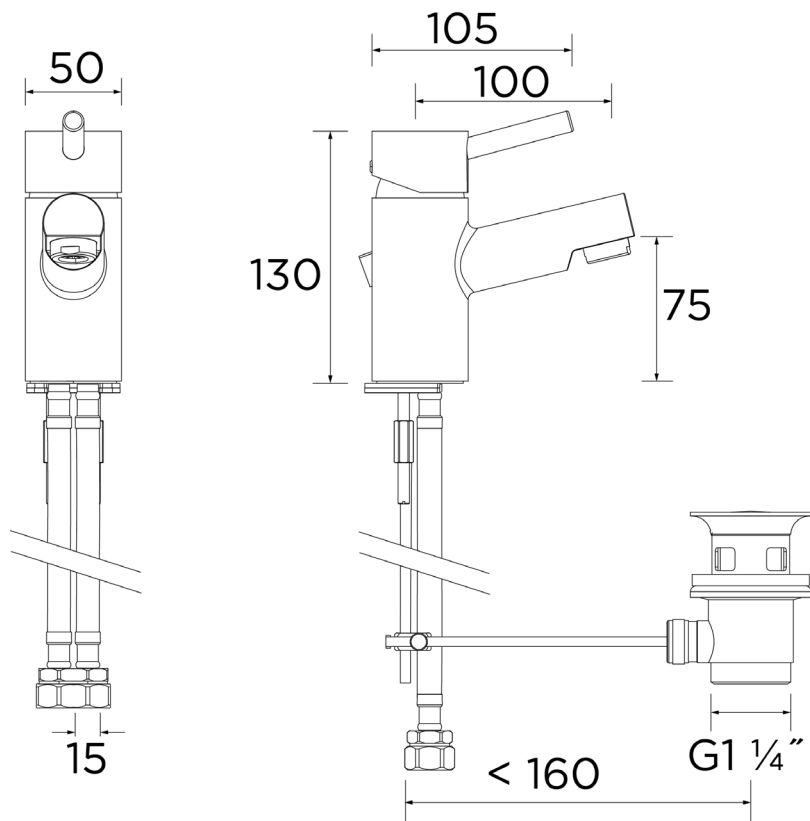
For more products, visit our website:  
<http://www.bristan.com>



### Specification

<b>Product Type:</b>	Taps
<b>Main Construction Material:</b>	Brass
<b>Mount Type:</b>	Deck Mounted
<b>Handle Type:</b>	Single Lever
<b>Connection Inlet:</b>	15mm Compression Flexible Tails
<b>Number of Tap Holes:</b>	1
<b>Valve/Cartridge Type:</b>	40mm Ceramic Cartridge
<b>Plumbing System Requirements:</b>	All - Ideally Balanced
<b>Working Pressure Range:</b>	Min. 0.2 Bar, Max. 8.0 Bar
<b>Maximum Hot Water Temperature: °C</b>	65
<b>Maximum Static Pressure: (bar)</b>	10
<b>Flow Type:</b>	Single Flow
<b>Isolation Included:</b>	No

### Dimensions (measurements in mm)



### Flow Rates (l/min)

System Pressure (bar)	0.2	0.5	1	2	3	5
PM BAS C (Mixed)	6.5	11.2	16.4	23.2	29.2	36.6

TECHNICAL  
DATA  
SHEET



# BRISTAN

D9