

RS DSM BN

RENAISSANCE Tap Range

Renaissance Deck Sink Mixer Brushed Nickel



Features:

- Long life and easy to use 1/4 turn ceramic disc valves
- Metal handles
- Dual flow prevents hot water entering the mains supply

Product Certifications:



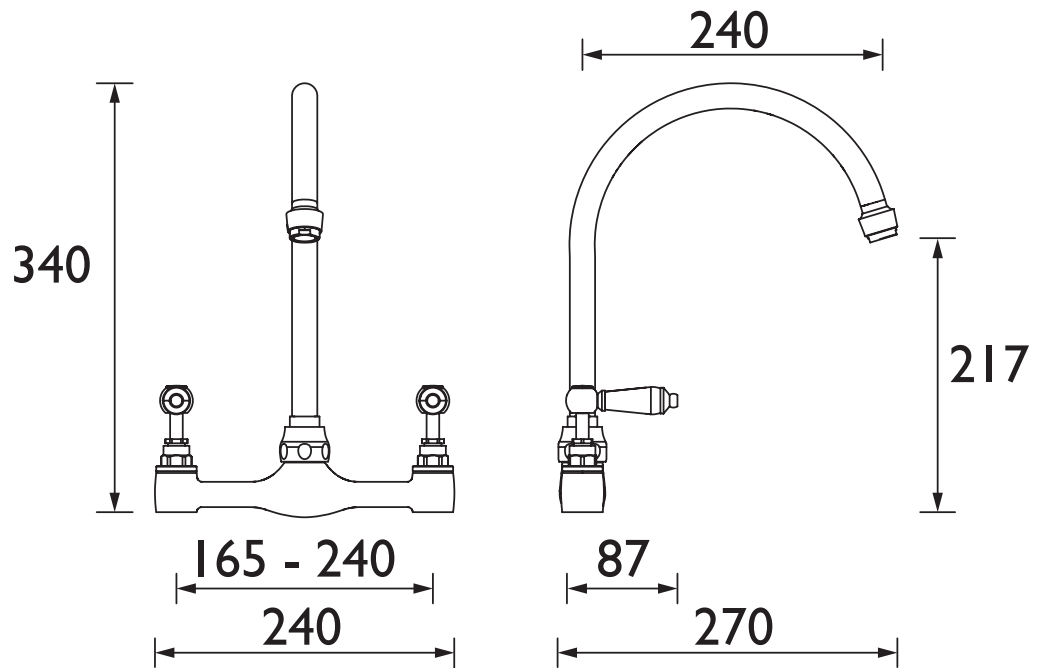
For more products, visit our website:
<http://www.bristan.com>



Specification

Product Type:	Kitchen Tap
Main Construction Material:	Brass
Mount Type:	Deck Mounted
Handle Type:	Lever Handles
Connection Inlet:	1/2" BSP
Connection Outlet:	Anti-Splash
Number of Tap Holes:	2
Valve/Cartridge Type:	1/4 Turn Ceramic Disc
Plumbing System Requirements:	Suitable for all plumbing systems
Minimum Dynamic Pressure:	0.2 Bar
Maximum Dynamic Pressure:	5.0 Bar
Maximum Hot Water Temperature: °C	65
Maximum Static Pressure: (bar)	10
Flow Type:	Dual Flow
Isolation Included:	No

Dimensions (measurements in mm)



Flow Rates (l/min)

System Pressure (bar)	0.2	0.5	1	2	3	5
RS DSM C	13.5	23.1	34.3	47.9	58.7	71.7

TECHNICAL DATA SHEET



BRISTAN

D11