

# PM 3/4 C

## PRISM Tap Range Prism Bath Taps Chrome



### Features:

- Ceramic disc valve for smooth flow control
- Easy-to-use lever handles
- High performance at pressures as low as 0.2 bar

### Product Certifications:

For more products, visit our website:



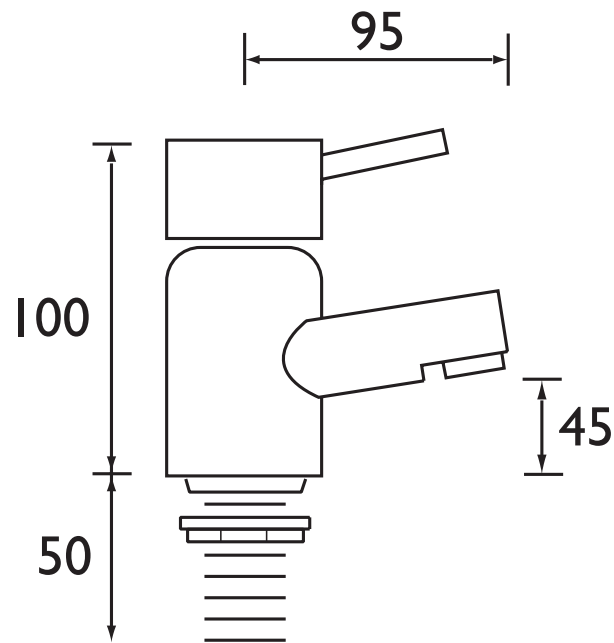
TECHNICAL  
DATA  
SHEET



### Specification

Style:	Contemporary
Product Type:	Bathroom Taps
Finish/Colour:	Chrome
Main Construction Material:	Brass
Mount Type:	Deck
Handle Type:	Lever
Connection Inlet:	3/4" BSP
Number of Tap Holes Required:	2
Valve/Cartridge Type:	3/4" Ceramic Disc Valves
Plumbing System Suitability	All
Working Pressure Range:	Min 0.2 Bar, Max 8.0 Bar
Maximum Hot Water Temperature: °c	65
Maximum Dynamic Pressure: (bar)	8
Maximum Static Pressure: (bar)	10
Flow Type:	Single Flow
Flow Rate: (l/min @ 3 bar)	58
Connection Outlet:	
Isolation Included:	No

### Dimensions (measurements in mm)



### Flow Rates (l/min)

System Pressure (bar)	0.2	0.5	1	2	3	5
PM 3/4 C (Hot)	15.2	23.5	33.4	47.2	57.9	74.7
PM 3/4 C (Cold)	15.3	23.8	33.5	47.4	58	74.9

**BRISTAN**  
TAPS & SHOWERS

D4