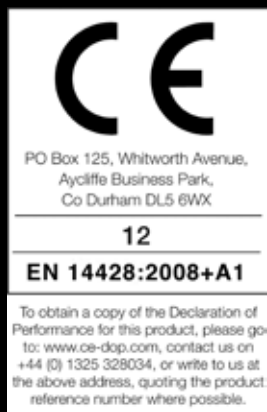


Single Door Quadrant Instruction Manual

V8SQ



IMPORTANT INFORMATION

- Toughened glass is completely safe for use in our shower enclosures and bath screens; providing our products are installed according to our guidelines.
- It is important to note that the glass must not be mounted or 'pinched' in such a way that would cause a stress point to develop in the glass. In addition, it must not be subject to any sharp impact or severe temperature fluctuation which may also cause a stress point to develop in the glass.
- Toughened glass is physically and thermally significantly stronger than standard glass. During the toughening process the stresses contained within any glass are balanced so if in the unlikely event situation any of the above occurs and the glass breaks, the glass will shatter safely into small thumbnail sized blunt fragments.

PRE-INSTALLATION CHECKS

- Check you have the correct product. Please look at the labels on the side of the product packaging.
- Check all the product components are in the box and the fixing kits.
- Unpack your product and handle it with care.
- Please check the product for defects or damage, once the installation has commenced we cannot accept responsibility for any defects or damage.
- Please take time to read these instructions prior to installing your product.
- Before you commence any drilling check there are no hidden electrical cables and/or water pipes.
- No attempt should be made to re-work the toughened safety glass.
- The installation of the product should be performed by two persons.
- It is strongly recommended that the walls the product is going to be installed on are vertical.
- It is strongly recommended the product is fitted on a tiled surface or similar waterproof surface.
- It is strongly recommended the walls are tiled and grouted before the product is installed.
- If the walls and/or the tray are not level you will not achieve maximum adjustment of the product.
- Pictures used are for illustration purposes only, product designs may alter slightly as a result of continuing product development.
- We do not stipulate where the European Standard Kite Mark should be positioned on the glass when being factory assembled.
- Please note that some natural misting may occur when you remove this product from its packaging, due to the addition of the glass protection pre-coating. If this does occur this can easily be removed with a soft, dry cloth.

Fixing Kit Components (Supplied)

Description	Quantity
2.5mm Drill Bit	1
Wall Plugs	6
40mm Screws	6
9mm Screws	6
Screw Bases	6
Screw Covers	6
25mm Frame Fixing Screws	8
Universal Caps	2
2.5mm Allen Key	1
3mm Allen Key	1
Branding Badge (if applicable)	1

Component Check List: Supplied

Description	Quantity
Wall Profiles	2
Door Vertical Profile	1
Horizontal Rail Assemblies	2
Panel to Rail Seal	2
Bearing Assemblies (Top)	2
Bearing Assembly (Bottom)	2
Door Glass	1
Panel Flipper Seal	1
Door Handle	1
Panel Assembly	1
Door Flipper Seal	1
Frame Seal	1

Equipment Check List: Not Supplied

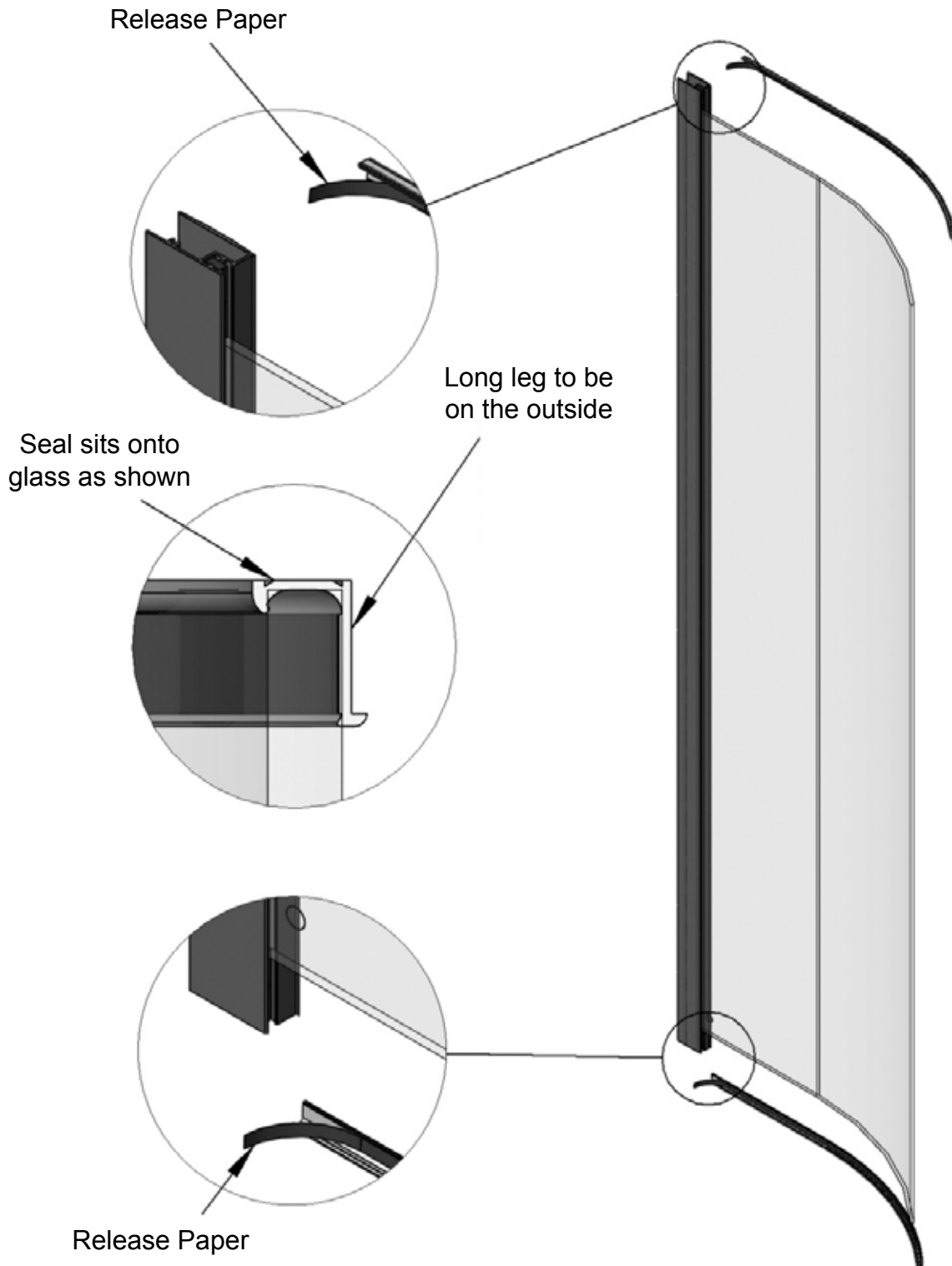
Description
Mains or Battery Drill
6mm Masonry Drill Bit
Spirit Level
Pozi Screwdriver
Sealant Gun / Bathroom Sealant
Tape measure
Pencil
4.5mm Drill Bit

CONSUMER GUARANTEE

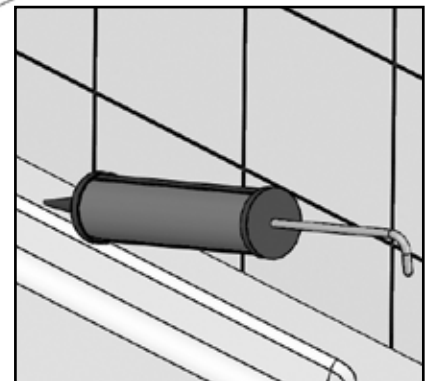
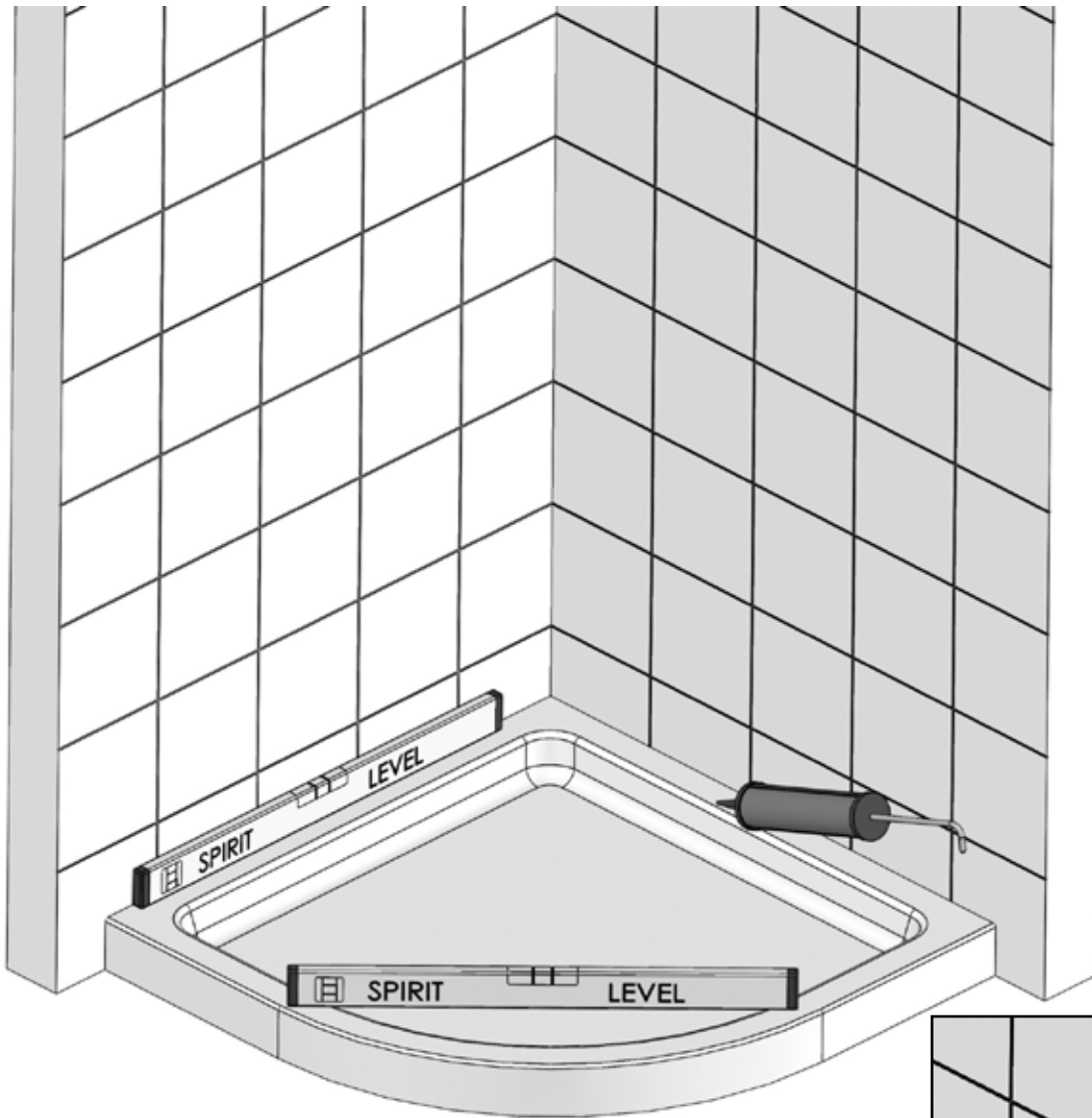
Please make sure the purchaser/end user completes and returns the guarantee card which is enclosed with this product. Failure to validate the Guarantee will mean only the 1 Year Statutory Guarantee will apply.

IMPORTANT INFORMATION BEFORE STARTING THE ASSEMBLY

The Panel to Rail Seals have a self adhesive strip, peel back the release paper and place the seals into position as shown making sure that the end of the seals butt up to the aluminium that is attached to the glass. Press firmly into place while removing the release paper. Be sure to fit the seals on the outside of the glass with the long legs facing towards each other.

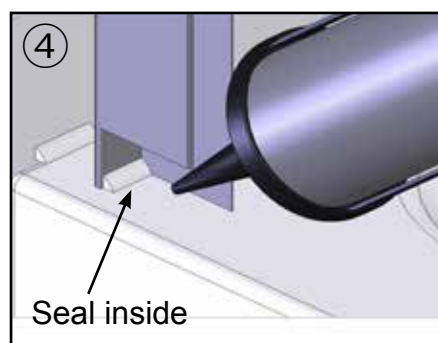
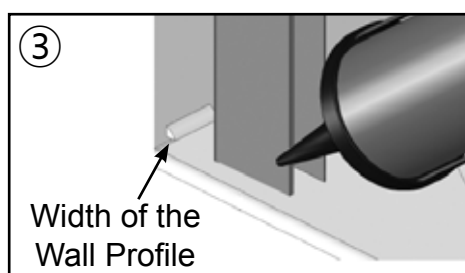
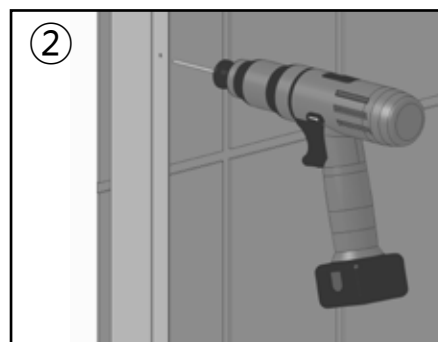
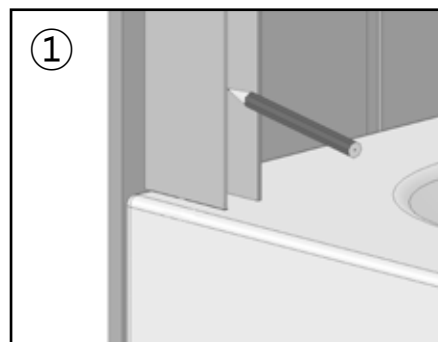
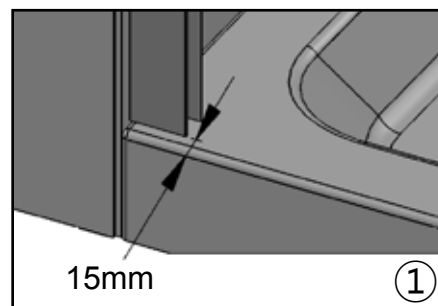
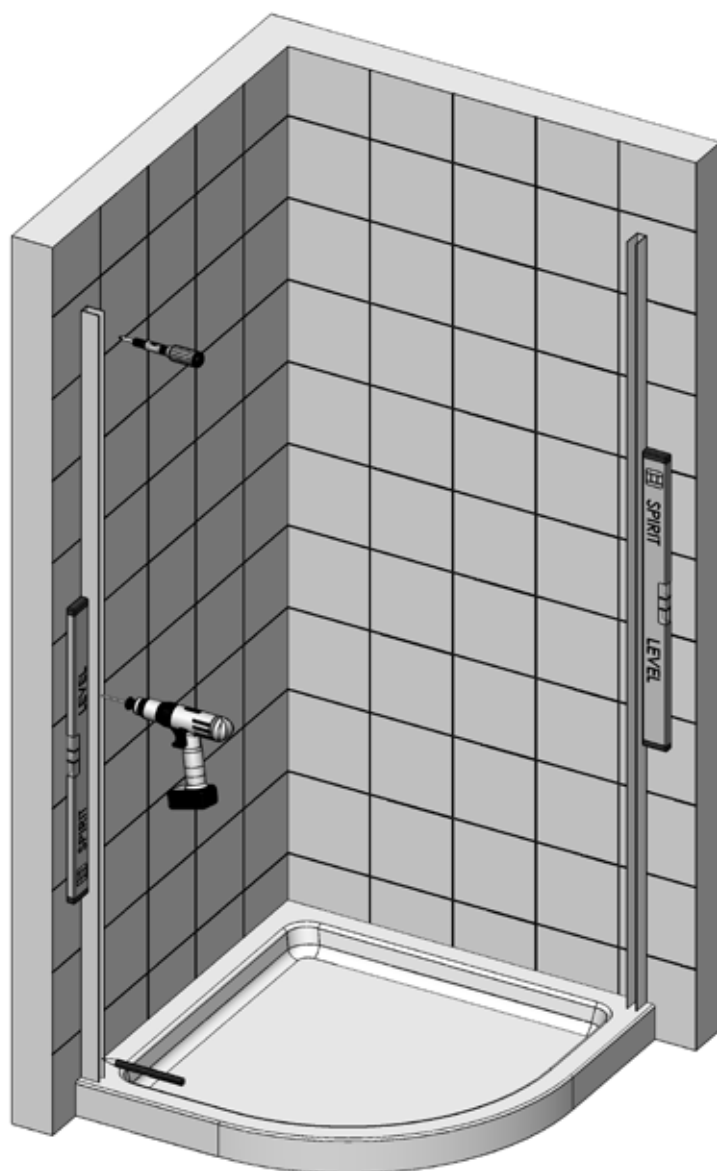


Step 1 - Checking and Sealing the Tray



1. Check the tray is level on all sides (the bubble on the spirit level must be in the centre of the 2 lines).
 2. Stand in the tray and check that there is no adverse movement (correct if necessary).
 3. The walls should be tiled and grouted up to the tray.
 4. The tiles and the tray should be sealed using a good quality bathroom sealant.
- **Spray the seal and joints with the shower head and check for leaks when the silicon has cured.**
 - **Check the plumbing for leaks.**
 - **DO NOT plasterboard over the tray.**
 - **DO NOT grout the tiles when the enclosure has been fitted, the grout may discolour the aluminium profiles.**
 - **Make sure the tray is installed as per the manufacturer's instructions.**
 - **When all of the above has been completed please proceed to the Step 2.**

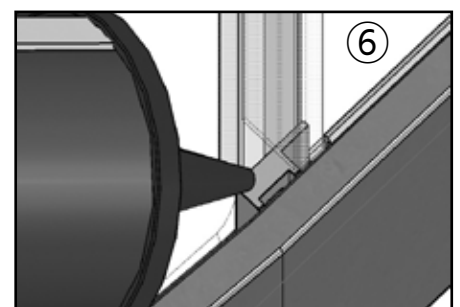
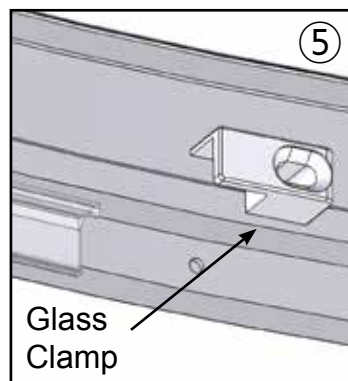
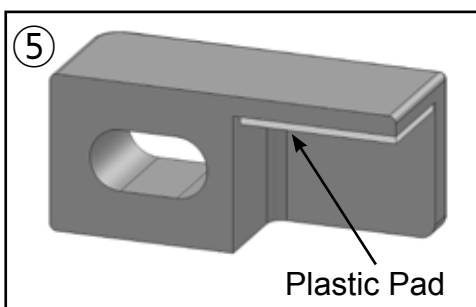
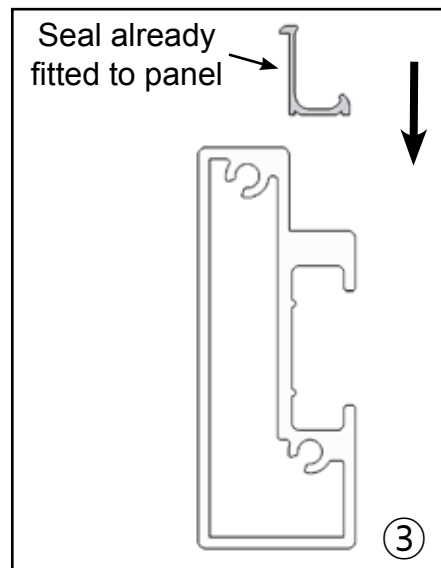
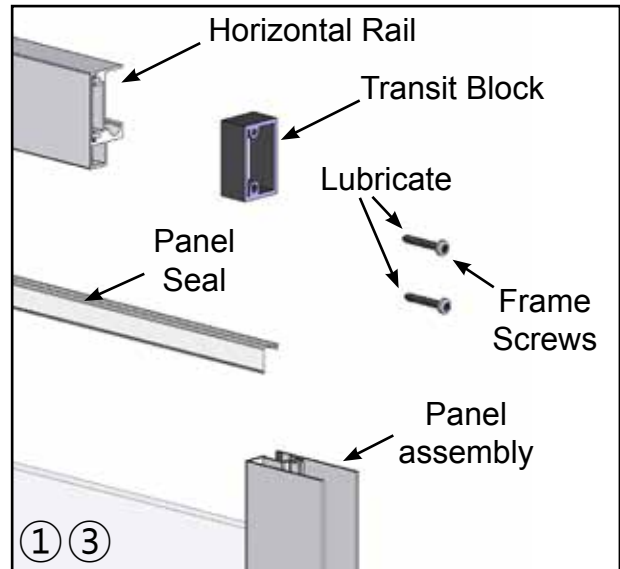
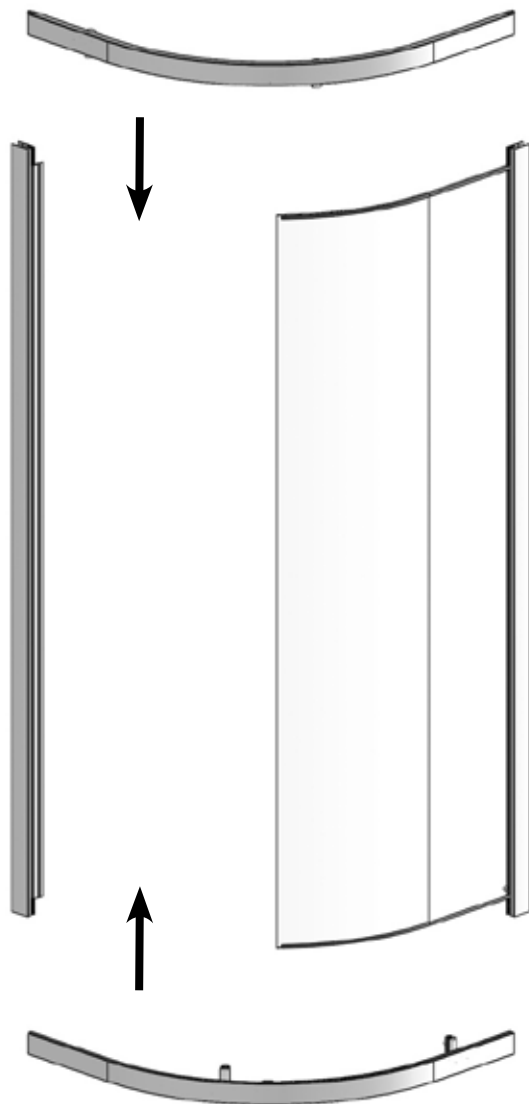
Step 2 - Fitting the Wall Profiles



1. Drill three 4.5mm holes into the U-Channel on the wall profiles, approximately 100mm from each end and the last one positioned in the centre. Place the wall profiles 15mm in from the outside of the tray, the lip section of the wall profile must face inward towards the shower. Make sure the wall profile is completely vertical using a spirit level and mark the wall through the drill holes with a pencil.
2. Drill the wall with a 6mm Masonry Drill Bit (not supplied) where the Wall Profile is to be positioned. Fit the Wall Plugs supplied (if going in to a brick or block wall). If going into a plasterboard wall you will need to purchase appropriate wall fixings. Wipe clear all debris from the Tray before referring to the next stage.
3. Where the Wall Profile is to be positioned on the Tray, place a bead of Bathroom Sealant (not supplied) the width of the Wall Profile along the tiled wall. Screw the Wall Profile to the wall with 40mm Screws (supplied). Do not over tighten the screws into the Wall Profiles as this will misshape the Wall Profile. Ensure the Wall Profile stays completely vertical throughout this procedure using a Spirit Level.
 - **No sealant should be present between the Wall Profiles and the tiled walls vertically prior to screw fixing.**
4. Seal the gap on the inside between the Tray and Wall Profile with a Bathroom Sealant (not supplied).
 - **Failure to carry out procedures 3 and 4 can result in serious water damage and is not covered by the Guarantee.**

Step 3 - Assembling the Frame

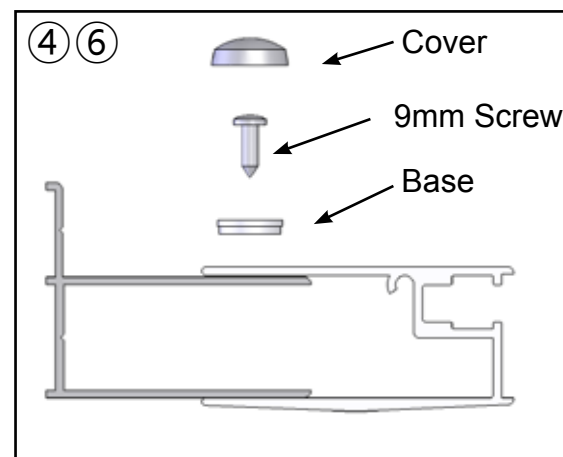
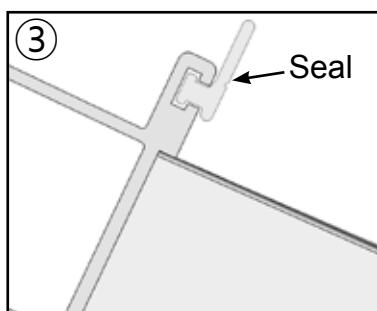
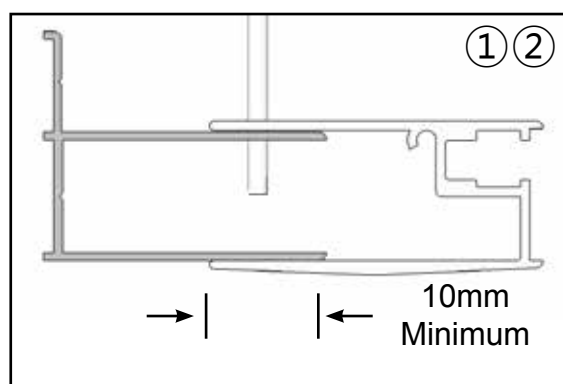
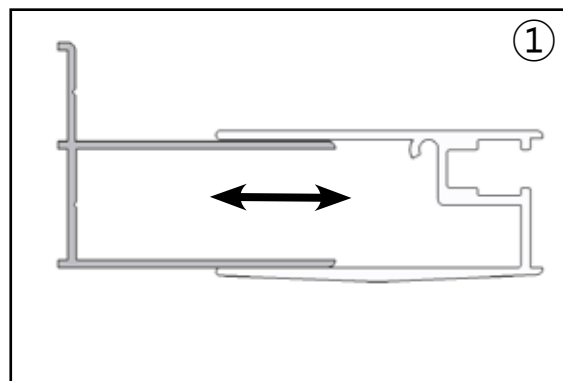
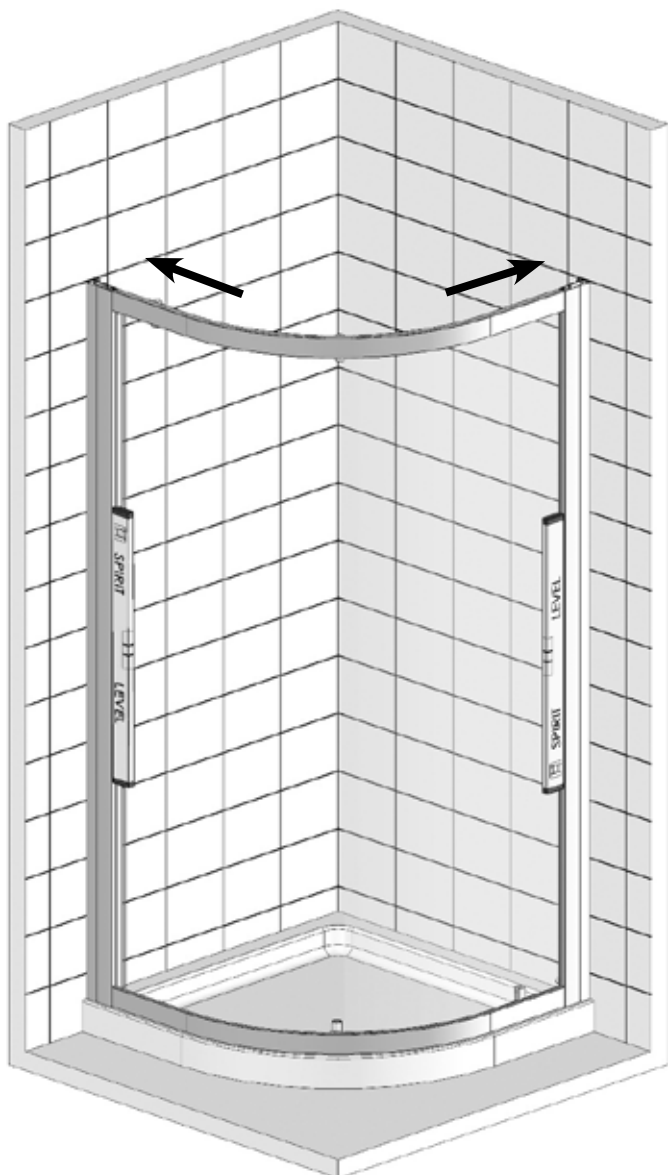
NOTE: 2 people will be required to do the following operations.



1. Remove the Transit blocks from the Panel Assembly and discard.
2. Determine which way the enclosure is to be fitted (i.e. Which way the door / panel is to be on).
3. Sit the Horizontal Rail onto the floor and place the Panel Assembly at the end required and the Door Vertical Assembly at the other then screw fix together using the screws provided.
 - **IMPORTANT: Please use lubricant and a hand screwdriver to NOT over stress the screws.**
4. Repeat the same for fitting the Horizontal Rail at the top.
5. Fit the glass clamps (Left Hand shown) to secure the glass to the horizontal rails using the No6 x 1/2" countersink screws. Ensure the plastic pad is between the top of the glass and the clamp.
 - **Ensure the clamps are pushed up tight to the glass edge, DO NOT OVERTIGHTEN.**
6. Seal the gap in the Glass Clamp with silicon sealant to prevent leaking from this area.

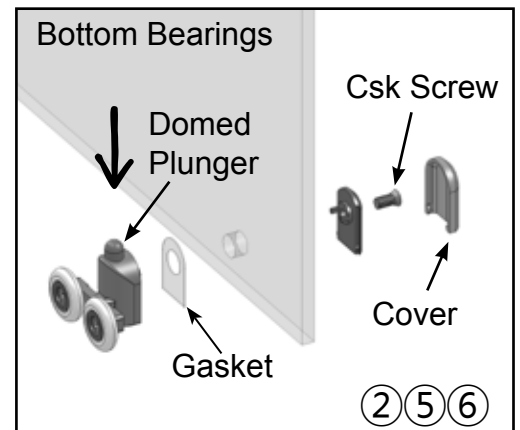
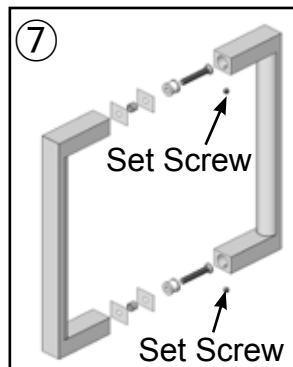
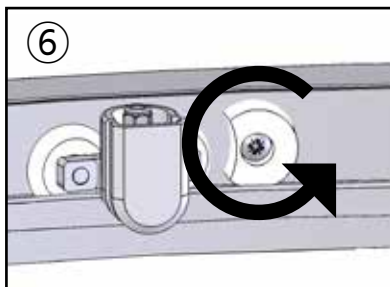
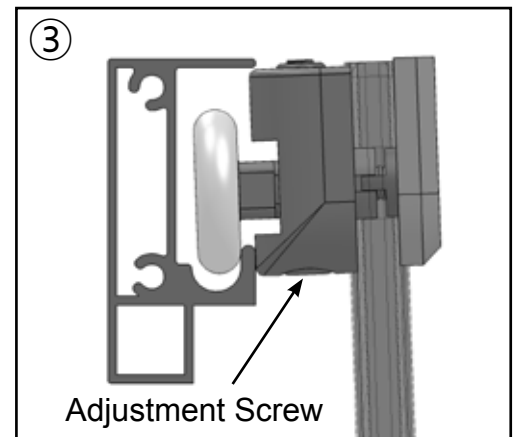
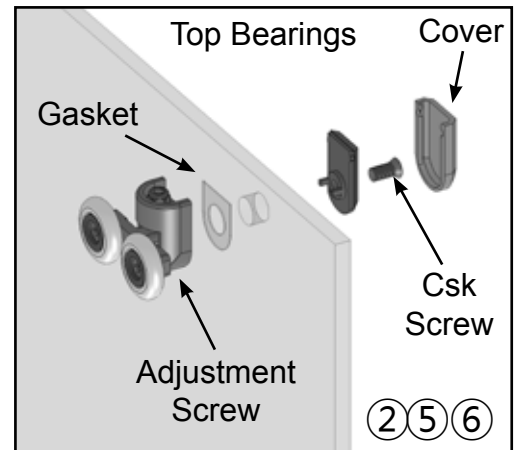
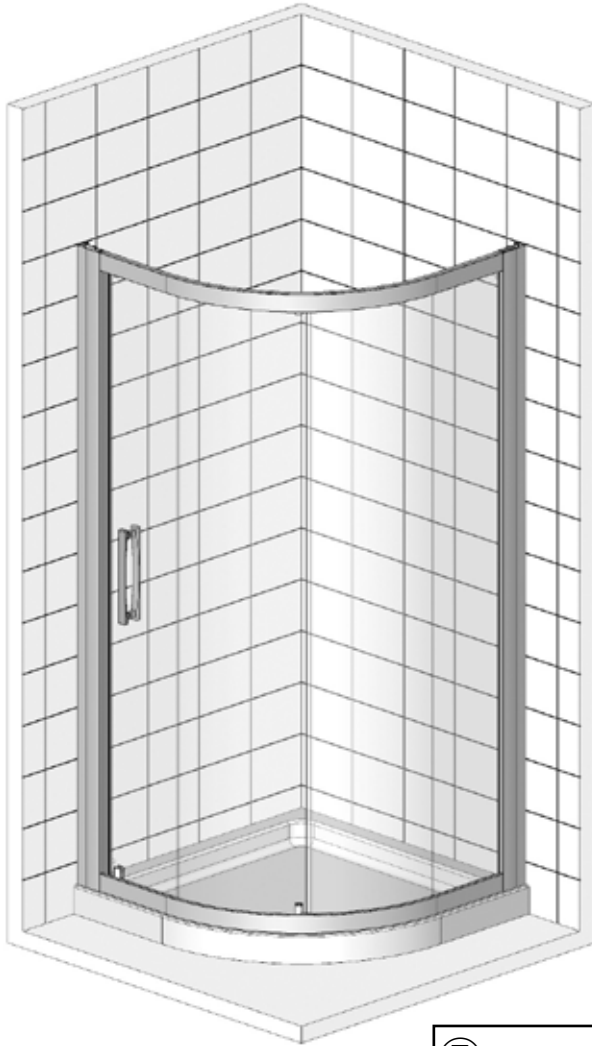
Step 4 - Fitting the Frame

NOTE: 2 people may be required to do the following.



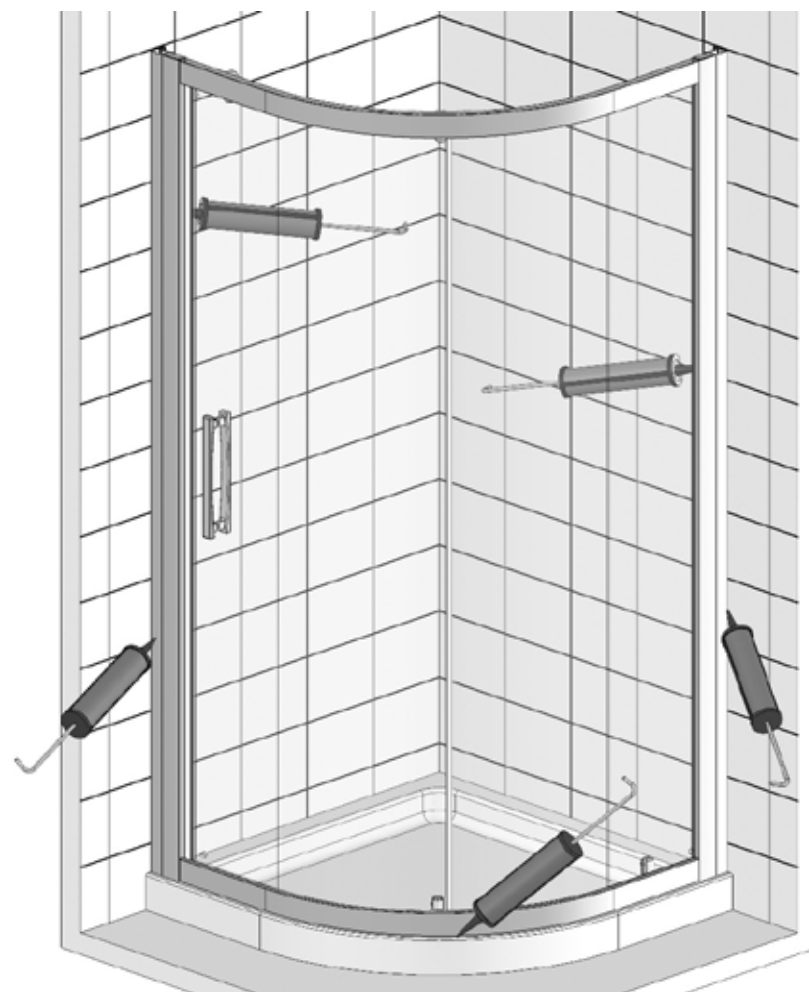
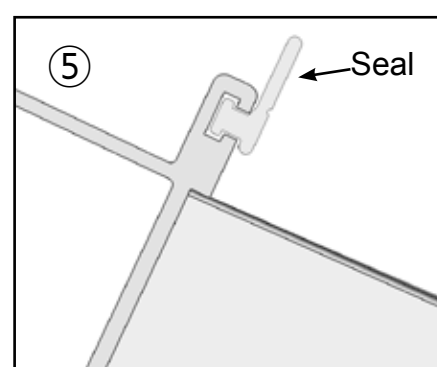
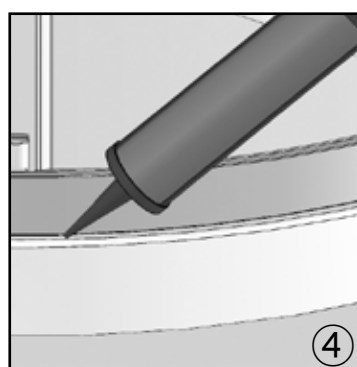
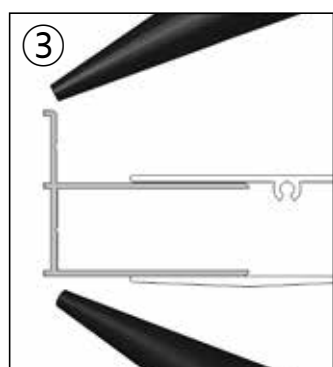
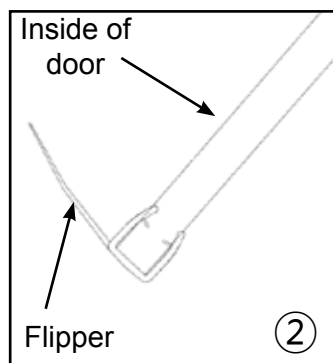
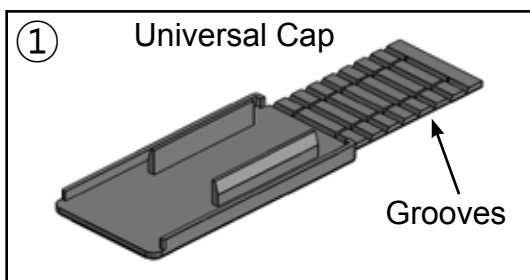
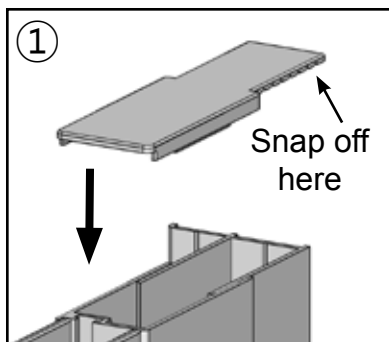
1. Position the framework on top of the tray and place one end fully over the wall profile, then move the framework back into the other wall profile and position it centrally between the two.
 - **There should be a minimum of 10mm for screw fixing.**
2. Place a spirit level on the leading edge of one of the fixed panels and set it so it is completely vertical. With the 2.5mm drill bit (supplied) drill through the vertical into the wall profile approximately 100mm from the top and bottom and one in the centre.
3. Place the Door Vertical Seal into the the Vertical Extrusion, ensuring the flipper faces inward.
4. Fit the screw bases to the 9mm screws and fix the framework to the wall profile.
5. For fixing the other side of the framework repeat the above.
 - **Ensure the framework is central between the wall profiles and completely vertical.**
6. Push fit the screw covers.

Step 5 - Fitting the Door and Handle



1. Place the Door Glass onto a level scratch free surface.
2. Carefully dismantle the Bearing Assemblies, place the gasket on the outside of the glass (Bearing Side) then re-assemble onto the Door Glass. Make sure you have the correct bearings at the top and bottom and that the wheels are on the outside of the glass.
 - **IMPORTANT: Fit the Bearing Assemblies to the door using a hand screwdriver only (Do NOT use a Drill).**
 - **NOTE: The bottom bearings have a domed plunger.**
3. Carefully place the assembled door inside the tray. With the Door the correct way round offer the Top Bearings into the top Horizontal Rail, when in position lower the Door and press the plungers down on the Bottom Bearing assemblies so that the Door can be placed into the Bottom Horizontal Rail.
 - **NOTE: When fitting to the top offering the door at a slight angle will make it easier to fit into the rail.**
4. Check that the door is parallel. If the door is not parallel there is a screw in the Top Bearings for adjustment purposes, adjust as necessary to align the Door.
 - **DO NOT overtighten the adjustment screw (there is 5mm of adjustment on each bearing assembly).**
5. When satisfied with the fitting of the Door fit the Inner Bearing Covers.
6. Ensure the Door closes over the Frame Seal (rotating the Door Stops can improve how the Door closes).
7. Remove the handles from the packaging, using the Allen Keys (supplied) remove the screws and split the handle assemblies. Fit onto the door glass ensuring the Set Screws are on the inside of the enclosure.

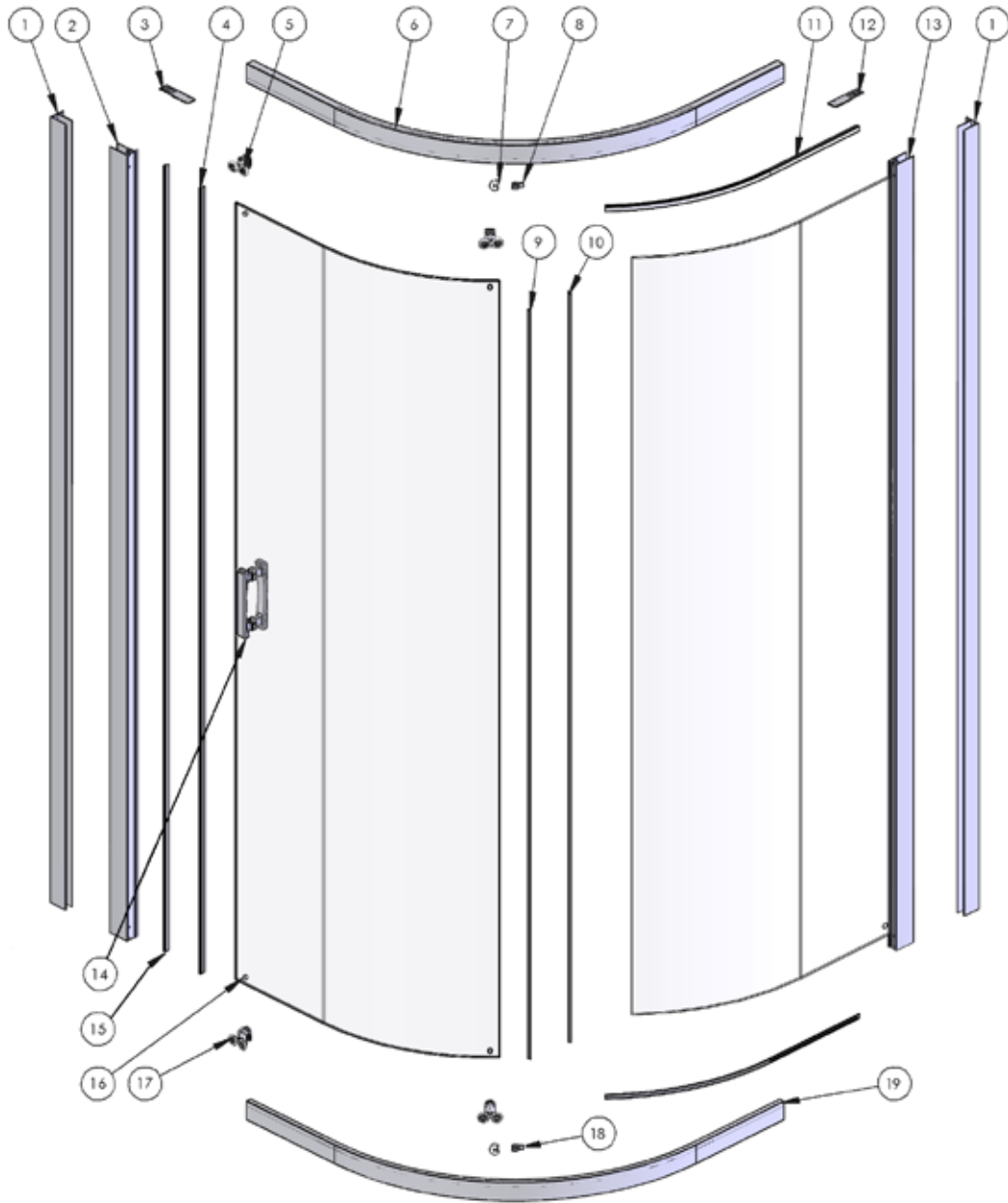
Step 6 - Fitting the Trims and Sealing



1. The Universal Caps have grooves and can be shortened by snapping off at these points. Fit the Caps.
 - **Adding a small amount of silicon between the faces will help keep them in place.**
2. Take the panel and door flipper seal and fit it onto the edge of the curved panel making sure the flipper faces inward, cut it to length so that it fits between the horizontal rails.
 - **Cut the panel seal to length using snips, a Stanley knife or similar (Please take care when cutting).**
3. Using a good quality sealant, seal both sides of the wall profiles vertically inside and outside where they meet the tiled walls.
4. Seal the base of the enclosure to the tray fully from wall to wall on the outside only.
5. For extra water integrity a longer Vertical Door Seal has been included, if required replace the existing one by sliding it from the frame and insert the longer one ensuring the flipper faces inward towards the shower.
6. Place the branding badge in a prominent position on a none moving part of aluminium.
 - **IMPORTANT: Failure to carry out stages 3 and 4 may result in serious water damage and will not be covered under the terms of the guarantee.**
 - **Please allow 24 hours for the sealant to fully cure before using the enclosure.**

Spare Parts

If you need to replace any damaged parts please see illustration below for parts list then call Customer Relations on 01325 328033



Part No.	Description	Q'ty	Part No.	Description	Q'ty	Part No.	Description	Q'ty
1	Wall Profiles	2	11	Rail to Panel Seal	2	21		
2	Door Vertical Profile	1	12	Top Cap (Right Hand)	1	22		
3	Top Cap (Left Hand)	1	13	Panel Assembly	1	23		
4	Door Vertical Seal	1	14	Door Handle	1	24		
5	Bearing Assembly (Top)	2	15	Door Vertical Seal (Longer)	1	25		
6	Horizontal Rail (Top)	1	16	Door Glass	1			
7	Door Stop	2	17	Bearing Assembly (Bottom)	2			
8	Glass Clamp	1	18	Glass Clamp (Right Hand)	1			
9	Vertical Door Seal	1	19	Horizontal Rail (Bottom)	1			
10	Vertical Panel Seal	1	20					

TROUBLE SHOOTING GUIDE

Problem	Solution
Leaking	<ol style="list-style-type: none">1. Check the tray has been sealed correctly prior to installation of the enclosure.2. Check that the inside gap between the Tray and Wall profiles has been sealed correctly.3. If the inside joint between the enclosure and the tray top is sealed, this will cause leakage - sealant must be removed.4. Ensure the wall profiles on the tiled walls are sealed both vertically inside and outside.5. Ensure the joint between the enclosure and tray top is sealed.6. Fit longer Vertical Door Seal. <p>Important: This enclosure should be water tested conforming to BS EN 14428</p>
Enclosure Alignment on the Tray/Floor	<ol style="list-style-type: none">1. Is the enclosure fitted onto a tiled wall?2. Are the wall profiles fitted the correct distance from the front outside edge of the tray?3. Are the wall profiles completely vertical?4. Check if the tray is level and the enclosure is completely vertical.
Door not running Smoothly	<ol style="list-style-type: none">1. Ensure both wall profiles are completely vertical.2. Ensure the tray is completely level.3. Check the frame is completely vertical (the bubble should be in the centre of the two lines on the spirit level).4. Add some <u>silicon grease</u> or similar to the running track of the horizontal rails.5. Check the fixed panel is completely vertical.6. Check the wheel assemblies have been adjusted correctly.
Door Alignment	<ol style="list-style-type: none">1. Ensure the tray is completely level.2. Ensure both wall profiles are completely vertical.3. Check the fixed panel is completely vertical.4. Ensure the enclosure is completely vertical and level.5. Check the door are hanging vertical and are running parallel to the panel.6. Ensure the Door closes over the Frame Seal (Door Stops may need rotating).

Some important information to help you Maintain your product.

The following information is all you need to keep your product looking new.

Clean your product using a mild detergent diluted in water and then polished off using a soft cloth.

If you live in a hard water area, periodically clean your product using a 50/50 solution of white vinegar and water. The solution should be left on the enclosure for approximately 5 minutes then rinsed off using warm water. This method of cleaning should remove lime scale residue.

Simple Maintenance

Our products are generally maintenance free, however it may be necessary to lubricate wheel assemblies and other moving parts from time to time.

It is strongly recommended that a quality silicone spray is used.

A list of Don't's:

1. Don't use acidic based products which are unsuitable for cleaning enamel surfaces.
2. Don't use abrasive cleaners or cleaners using bleach or solvents, these products will adversely affect the finish of the aluminium profiles.
3. Don't use scouring pads, powder or any sharp instruments when cleaning the enclosure.

Should you experience any problems during installation please refer to the Trouble Shooting Guide or contact Customer Relations on:

+44 (0) 1325 328033

To enable customer relations to provide you with an excellent level of service it is important that you quote your product Code and Reference Number - these can be found on the Guarantee card.