

# R 3/4 C

## REGENCY Tap Range Regency Bath Taps Chrome



Specification	
Style:	Traditional
Product Type:	Bathroom Taps
Finish/Colour:	Chrome
Main Construction Material:	Brass
Mount Type:	Deck
Handle Type:	Crosshead
Connection Inlet:	3/4" BSP
Number of Tap Holes Required:	2
Valve/Cartridge Type:	1/2" Compression Valves
Plumbing System Suitability	All
Working Pressure Range:	Min. 0.2 Bar, Max. 7.0 Bar
Maximum Hot Water Temperature: °c	65
Maximum Dynamic Pressure: (bar)	7
Maximum Static Pressure: (bar)	10
Flow Type:	Single Flow
Flow Rate: (l/min @ 3 bar)	66.7
Connection Outlet:	
Isolation Included:	No

### Features:

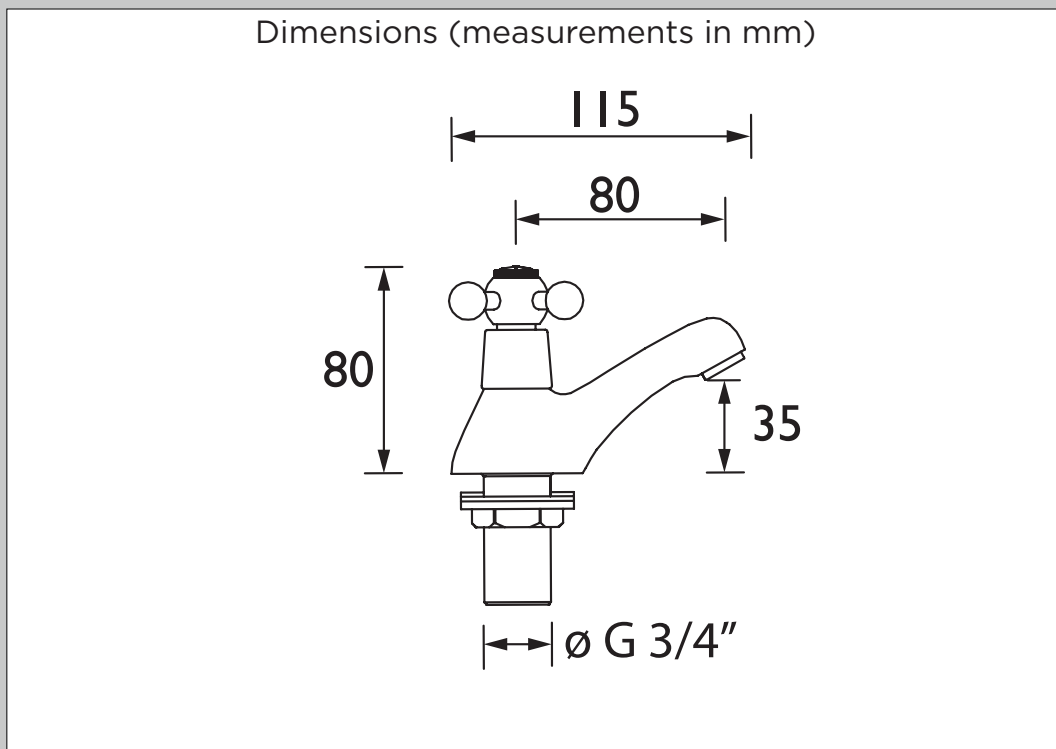
- Chrome plated to BS EN 248

### Product Certifications:

WRAS Certificate No: 1307036  
WRAS Expiry Date: 31/07/2018



For more products, visit our website:



Flow Rates (l/min)						
System Pressure (bar)	0.2	0.5	1	2	3	5
R 3/4 C (Hot)	16.5	26.4	38.3	54.2	66.3	85.6
R 3/4 C (Cold)	16.5	26.3	38.5	54.5	66.7	86.1

TECHNICAL  
DATA  
SHEET



**BRISTAN**  
TAPS & SHOWERS

D5