

TECHNICAL DATA SHEET

PRISM

Tall Basin Mixer without Waste

Product Specification

Product Code:	PM TBAS C
Finish:	Chrome
Product Type:	Contemporary
Construction:	Body is of Brass Construction and is designed to conform to BS EN 817
Cartridge Type:	40mm Ceramic Disc
Inlet Connections:	M10 x 15mm Flexible Connection Pipes
Compatible Systems:	Suitable for all plumbing systems
Working Pressures:	Min 0.2 Bar, Max 8.0 Bar

Additional Information

- Chrome plated to BS EN 248
- Supplied with metal handle

Flow Rates (litres per minute)

System Pressure	0.2 Bar	0.5 Bar	1.0 Bar	2.0 Bar	3.0 Bar	5.0 Bar
Open Outlet	7.26	11.47	16.22	22.94	28.1	36.28

Compliance/Approvals

WRAS Approval No: 1306006

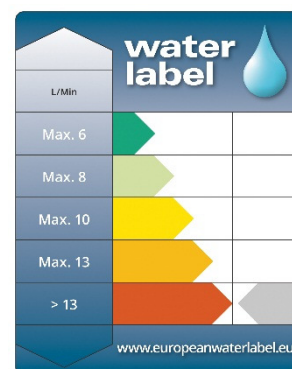
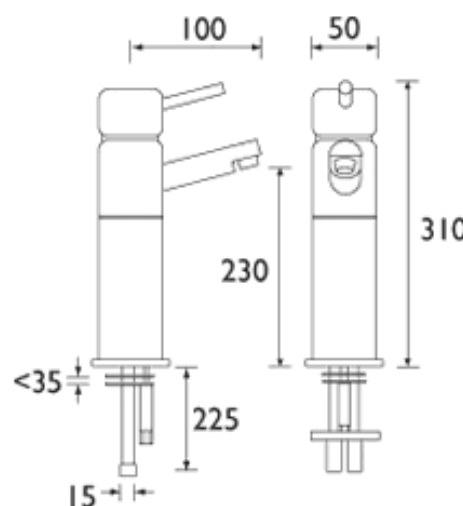
Technical Advice: For further information please call 0844 7016273 or email customercare@bristan.com

Guarantee: 5 years covering manufacturing faults.

Bristan, Birch Coppice Business Park, Dordon, Tamworth, B78 1SG
Telephone: 0844 701 6274 Facsimile: 0844 701 6275
Web Site: www.bristan.com Email: enquire@bristan.com

BRISTAN

TAPS & SHOWERS



Guarantee

Delivery

0844 7016273

The information contained on this page was correct at date of issue. Fitting dimensions are provided as a guide only. Some variation may occur due to manufacturing tolerances. Bristan pursues a policy of continuing improvement in design and performance of its products and so reserves the right to change specifications without prior notice.

D5