

OR BAS C

ORTA Tap Range Orta Basin Mixer with Clicker Waste Chrome



Specification

Product Type:	Bathroom Tap
Main Construction Material:	Brass
Mount Type:	Deck Mounted
Handle Type:	Lever Handle
Connection Inlet:	½" BSP Flexible Tails
Number of Tap Holes:	1
Valve/Cartridge Type:	35mm Cartridge
Plumbing System Requirements:	All - Ideally Balanced
Working Pressure Range:	Min. 0.2 Bar - Max. 5.0 Bar
Maximum Hot Water Temperature: °C	65
Maximum Static Pressure: (bar)	10
Flow Type:	Single Flow
Isolation Included:	No

Features:

- Long life ceramic cartridge for added durability and ease of use
- Metal fixing nut for added durability
- Includes clicker waste

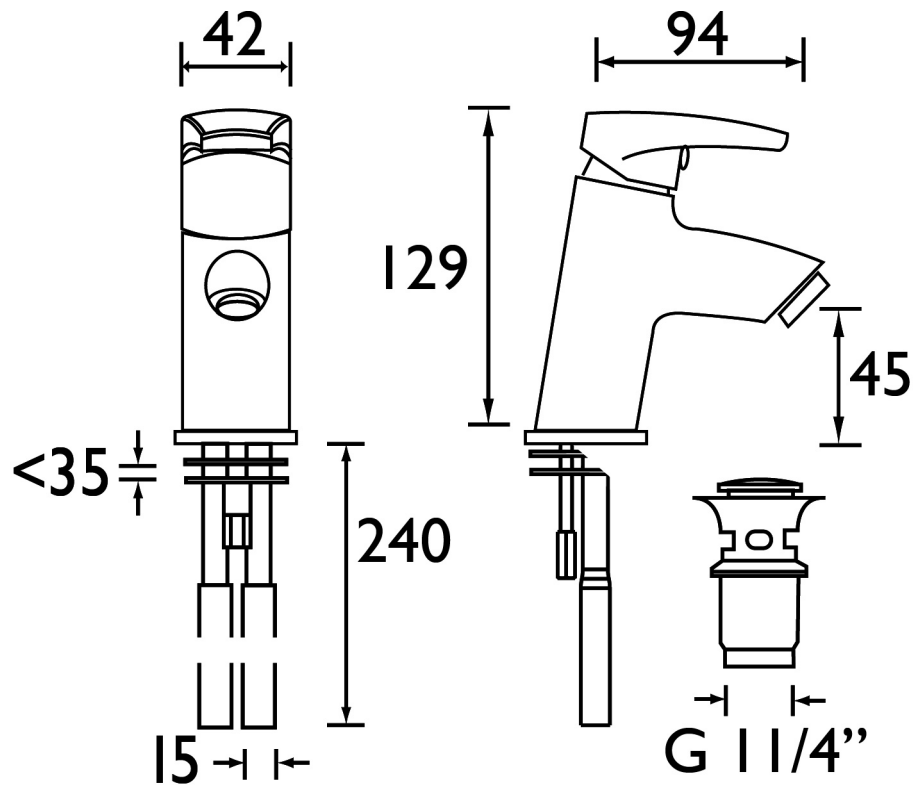
Product Certifications:



WRAS Cert. Number: 1610001
WRAS Expiry Date: 31/10/2021



Dimensions (measurements in mm)



Flow Rates (l/min)

System Pressure (bar)	0.2	0.5	1	2	3	5
OR BAS C (Mixed)	2.28	3.84	4.53	5.35	4.46	4.61

For more products, visit our website:
<http://www.bristan.com>



TECHNICAL DATA SHEET



BRISTAN

D9