

© Tavistock Bathrooms. 2019

Tavistock Bathrooms, Brassmill Lane Trading Estate, Bath, BA1 3JF
TEL: 01225 787 870 | techsupport@tavistock-bathrooms.co.uk
www.tavistock.co.uk

Stride Cabinet

Surface Mounted Illuminated Cabinet

Installation and Operating Instructions

Retain for future reference

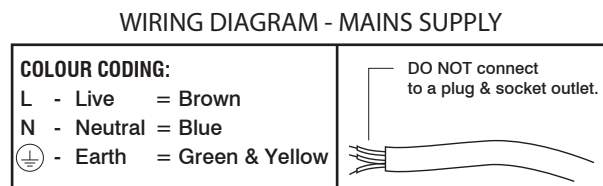
Electrical Safety

Suitable for UK Installations **only**.

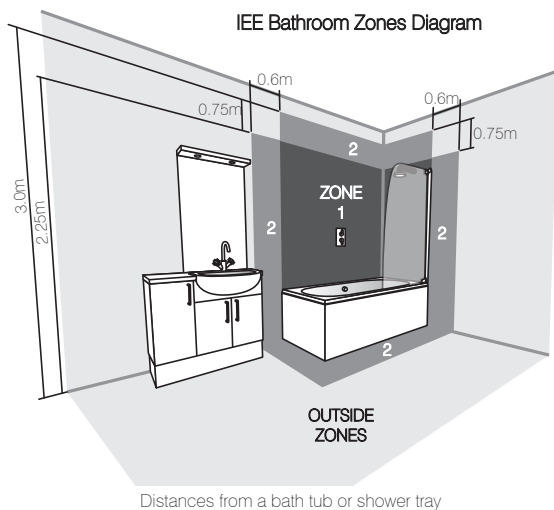
All fittings must be installed by a competent person, in accordance with current IEE wiring regulations. If in doubt consult a qualified electrician.

Important: Always switch off the electrical supply at the mains before installation and maintenance. It is recommended that the fuse is withdrawn or the circuit breaker is switched off for the necessary circuit before installation commences.

This product is manufactured to class I category and **must** have an earth connection.



Bathroom Zones



Bathroom fittings are subject to the appropriate zones in accordance with IEE Regulations. This product is **only** suitable for permanent indoor installation in Zone 2 and outside zones. (See above) This product is **not** suitable for installation in Zone 0 or 1, saunas, steam rooms or shower cubicles. Do **not** connect to a trailing plug and socket. Do **not** install onto surfaces that are either damp or electrically conductive.

After care service

Cleaning your product

When cleaning the cabinet or any mirrored surfaces it is recommended to use a soft, dry, non abrasive cloth with the cabinet turned off. Do not use cleaning agents or abrasive materials.

DO NOT allow moisture to come into contact with any electrical components.

Troubleshooting & After care service

For any further assistance, please feel free to contact our tech support team at: techsupport@tavistock-bathroom.co.uk.

10 Year Guarantee

We have complete confidence in this Tavistock bathroom cabinet and as such it is offered with a 10-year guarantee against defects in manufacture.

The guarantee requires that this product be used in the manner for which it was intended and that it is installed and maintained in accordance with the fitting instructions.

The guarantee covers products in domestic use only and is not transferable.

In the unlikely event that this product should fail during the guarantee period we will either replace the faulty part or the complete unit as appropriate.

Compliance

This product complies with all relevant British and European safety standards.



Installation Procedure

4.8 – Align the door hinges with the cabinet hinge brackets.

4.9 – Clip the bottom door hinge back on to the cabinet hinge bracket by sliding the door hinge onto the hinge bracket and pulling on the latch on the rear of the door hinge.

Step 5 - Turning the power on

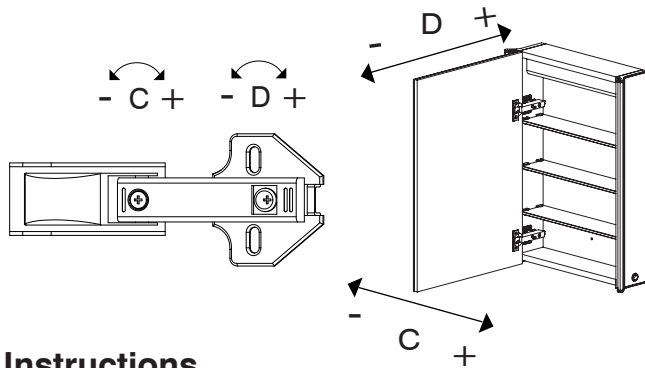
Important: Before turning the power back on, make sure the cabinet is securely installed and all electrical connections are safe to turn on.

5.1 – If the fuse was removed, re-insert the fuse and switch power on. If circuit breaker was switched off, turn back on.

5.2 – Check the functionality of the cabinet, operating instructions can be found on page 9.

Step 6 - Door Alignment

6.1 – Adjust the cabinet doors using the adjustment screws on the hinges. As shown below.



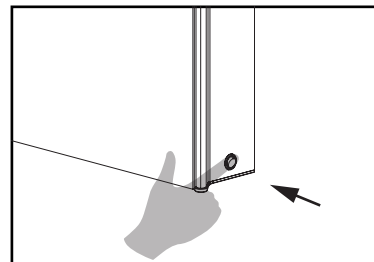
Operating Instructions

The Stride cabinet comes with LED lighting, which is controlled via a rocker switch located on the right side of the product. The lighting can be controlled as detailed below:

Turn Mirror ON/OFF

To turn the product on, press the rocker switch to I.

To turn the product off, press the rocker switch to O.



Installation Procedure

Important: Before starting the installation process, make sure the electrical supply is switched off. It is recommended that the fuse is withdrawn or the circuit breaker is switched off for the necessary circuit.

Important: Before starting the installation process, ensure the wall construction is suitable and can support the weight of the cabinet.

Note: The wall plugs supplied are suitable for solid stone / brick walls. For any other wall material use specialist wall plugs.

Step 1 - Preparing the cabinet

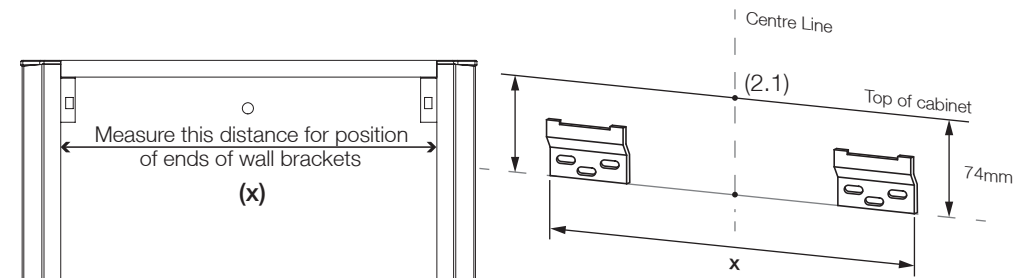
1.1 – Carefully place the cabinet upright on the floor on the protective polystyrene sheet.

Step 2 - Installing the cabinet

2.1 – Using a pencil, mark on the wall where you wish the centre of the top surface of the cabinet to be (2.1).

2.2 – Measure 74mm vertically below this point and make a mark.

2.3 – Using a spirit level, draw a line of distance X centred on this point and parallel with the floor.



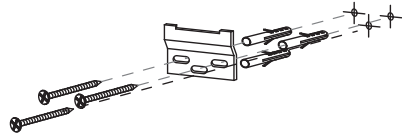
2.4 – Align the outer edge of the wall brackets with the ends of this line X.

2.5 – Using the wall brackets as a guide, mark the hole positions.

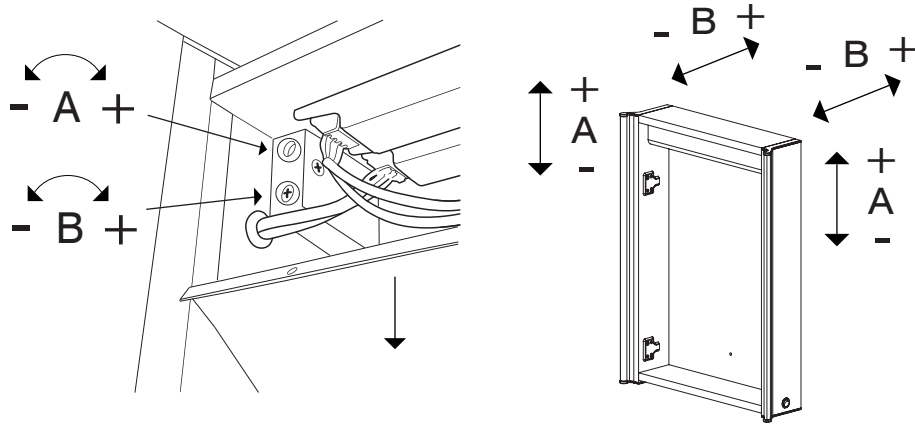
2.6 – Drill the marked holes and fit the wall plugs.

2.7 – Screw the wall brackets into place ensuring the screws are fully tightened but take care not to overtighten.

Installation Procedure

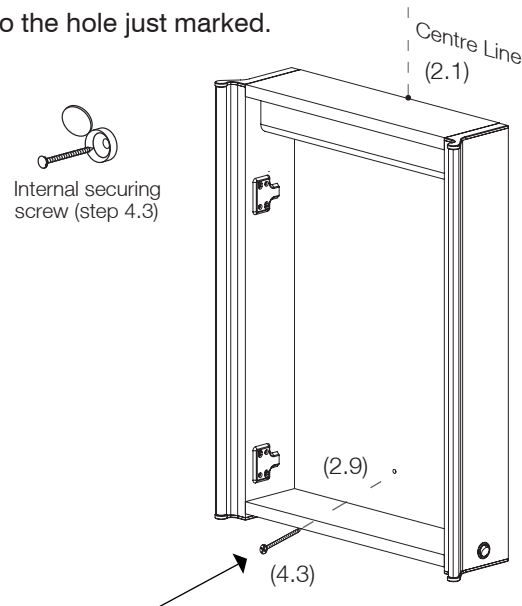


2.8 – Hang the cabinet on the wall brackets and check its level (finer adjustments can be made by opening the cabinet's top electrical compartment and turning screw A on each individual hanger until level).



2.9 – When the cabinet is level, mark the hole on the lower section of the cabinet backboard (2.9). Take the cabinet off the wall.

2.10 – Drill and fit the wall plug into the hole just marked.



Installation Procedure

Step 3 - Connecting to power

Important: Before connecting the cabinet to the mains supply, make sure the electrical supply is switched off. It is recommended that the fuse is withdrawn or the circuit breaker is switched off for the necessary circuit.

3.1 – Connect to mains electrical supply. Connections should be made in accordance with the latest IEE regulations. This cabinet is manufactured to CLASS 1 and requires an earth connection.

Step 4 - Finishing the installation

4.1 – Hang the cabinet on the wall brackets and tighten screw B within the electrical compartment. This will pull the cabinet closer to the wall.

4.2 – After all cabinet hanger adjustments are complete, close the electrical compartment and screw shut using provided screws.

4.3 – Screw in the internal securing screw (4.3)

4.4 – Push in the shelf supports with the screw at the bottom (4.4).

4.5 – Slide the glass shelf into the shelf supports (4.5).

4.6 – Tighten the plastic screws. Do not over tighten as you may round off the plastic screw head (4.6).

4.7 – Repeat steps 4.4 to 4.6 for the remaining shelves.

