

HAND117 C

Accessories Square Handset Chrome



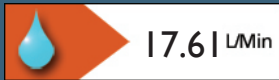
Specification

| | |
|------------------------------|--------------|
| Main Construction Material: | ABS |
| Connection Inlet: | 1/2" BSP |
| Contemporary or Traditional: | Contemporary |
| Rub Clean Handset: | Yes |
| Minimum Dynamic Pressure: | 0.2 Bar |
| Maximum Dynamic Pressure: | 5.0 Bar |
| Maximum Static Pressure: | 10 |

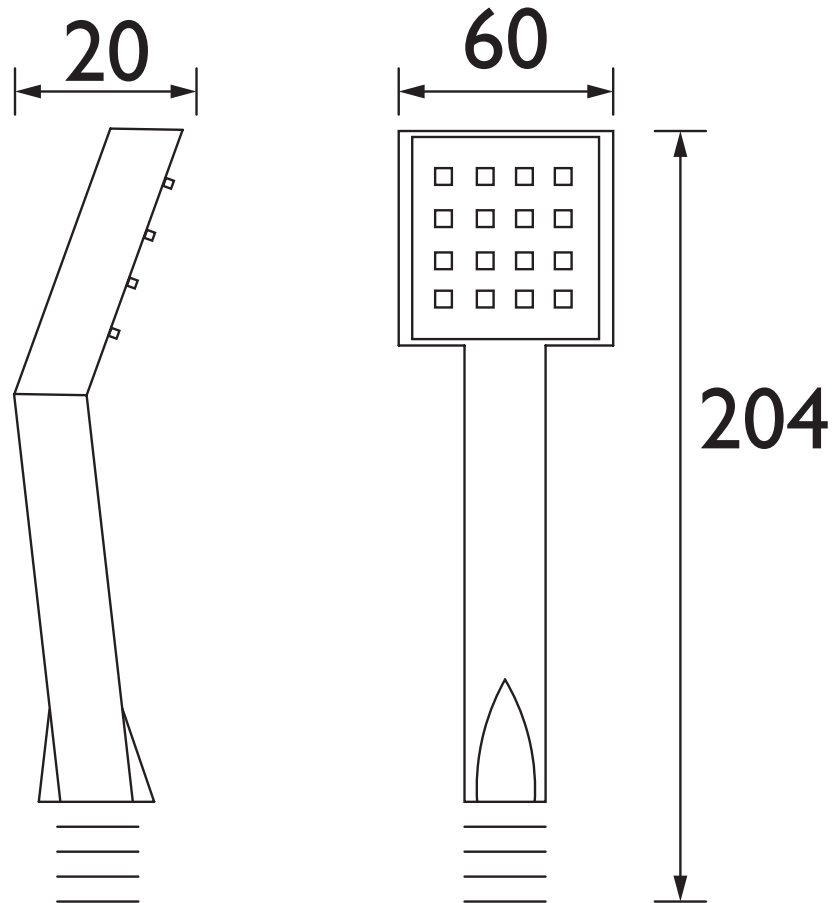
Features:

- Single function, rub clean, anti-limescale handset
- Chrome plated to BS EN 248

Product Certifications:



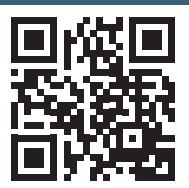
Dimensions (measurements in mm)



Flow Rates (l/min)

| System Pressure (bar) | 0.2 | 0.5 | 1 | 2 | 3 | 5 |
|-----------------------|------|------|------|-------|-------|-------|
| HAND117 C | 3.70 | 6.46 | 9.60 | 14.03 | 17.61 | 23.64 |

For more products, visit our website:
<http://www.bristan.com>



TECHNICAL DATA SHEET



BRISTAN

D3