

BTZ BF C

BLITZ Tap Range Blitz Bath Filler Chrome



Features:

- Metal Backnuts
- Ceramic Disc
- 3/4" valve

Product Certifications:



WRAS Certificate No: 1311085
WRAS Expiry Date: 30/11/2018



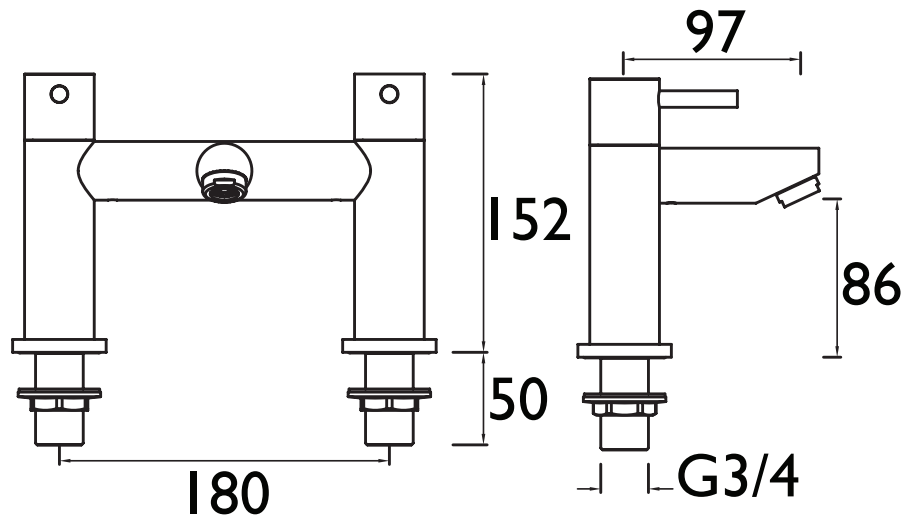
For more products, visit our website:
<http://www.bristan.com>



Specification

Style:	Contemporary
Product Type:	Taps
Finish/Colour:	Chrome
Main Construction Material:	Brass
Mount Type:	Deck Mounted
Handle Type:	Lever
Connection Inlet:	3/4" BSP
Connection Outlet:	N/A
Number of Tap Holes:	2
Valve/Cartridge Type:	3/4" Ceramic Disc Valves
Plumbing System Requirements:	All
Working Pressure Range:	Min 0.2 Bar, Max 5.0 Bar
Maximum Hot Water Temperature: °C	65
Maximum Dynamic Pressure: (bar)	5
Maximum Static Pressure: (bar)	10
Flow Type:	Single
Flow Rate: (l/min @ 3 bar)	55
Isolation Included:	No

Dimensions (measurements in mm)



Flow Rates (l/min)

System Pressure (bar)	0.2	0.5	1	2	3	5
BTZ BF C - Single Outlet	14.3	22.6	31.8	44.9	55	71.1
BTZ BF C - Mixed	24.6	38.1	53.8	76	93.1	120.3

TECHNICAL DATA SHEET



BRISTAN

TAPS & SHOWERS

D3