

# BRISTAN

## Regency Bath Shower Mixer

### Fitting Instructions & Contents List



Please keep these instructions for future reference and request of replacement parts

## 1. Introduction

Thank you for choosing Bristan, the UK's leading taps and showers expert. We have designed this product with your enjoyment in mind. To ensure that it works to its full potential, it needs to be fitted correctly. These fitting instructions have been created to give you all of the information you need and, if you need any further help, please do not hesitate to give us a call on 0844 701 6273.

## 2. Safety Note

Please read these instruction thoroughly and retain for future use.

All product manufactured and supplied by Bristan are safe provided they are installed correctly, used correctly and receive regular maintenance in accordance with these instructions.

These fittings need to be installed in accordance with and meet the requirements of the Water Supply (Water Fittings) Regulations 1999 and Scottish Byelaws 2004.



Before starting any installation please consider the following:

Prior to drilling into walls, check that there are no hidden electrical wires, cables or water supply pipes. This can be checked with the aid of an electronic detector.

If power tools are used do not forget to:

- Wear eye protection
- Unplug equipment after use

## 3. Specification

Operating pressure range (bar)	Min.	Max.
Bath shower mixer	0.2	8.0
Maximum operating pressure – 10.0 bar		

**NOTE:-** Nominally equal (balanced) inlet supply pressures are recommended for optimum performance.

Designed to comply with BS EN 200 for single taps/ combination taps for water systems of type 1 and 2 general technical specifications and to be used within systems designed to BS 6700.

BS 6700 recommends the temperature of stored water should never exceed 65°C. A stored water temperature of 60°C is considered sufficient to meet all nominal requirements and will minimise the build up of lime scale in hard water areas.

## 4. Installation

This mixer is suitable for use at all supply pressures, however for optimum performance use both hot and cold water supplies which should be reasonably balanced.

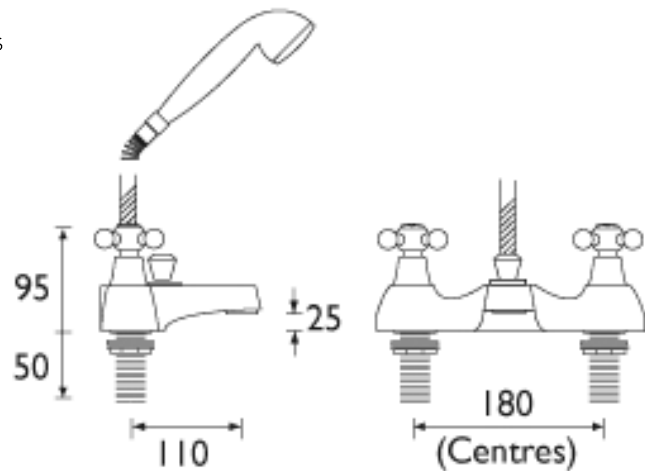
**Operating pressures: Min 0.2 bar, Max 8.0 bar**

If the fitting is installed at low pressure (tank fed), then the minimum distance from the underside of the nozzle to the cold water tank should be at least 2 metres to ensure adequate shower performance.

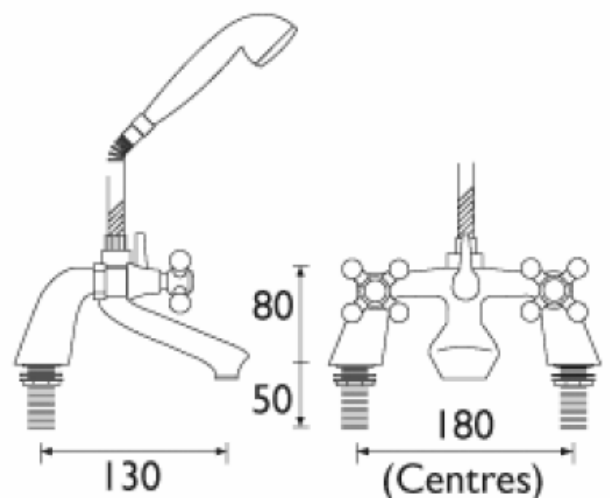
This mixer should be installed in compliance with Water Regulations.

Where the supplies are balanced i. e. hot water from the cylinder tank and cold from the mains, approved check valves must be fitted in the supply pipes.

For further details please contact your local Water Authority.



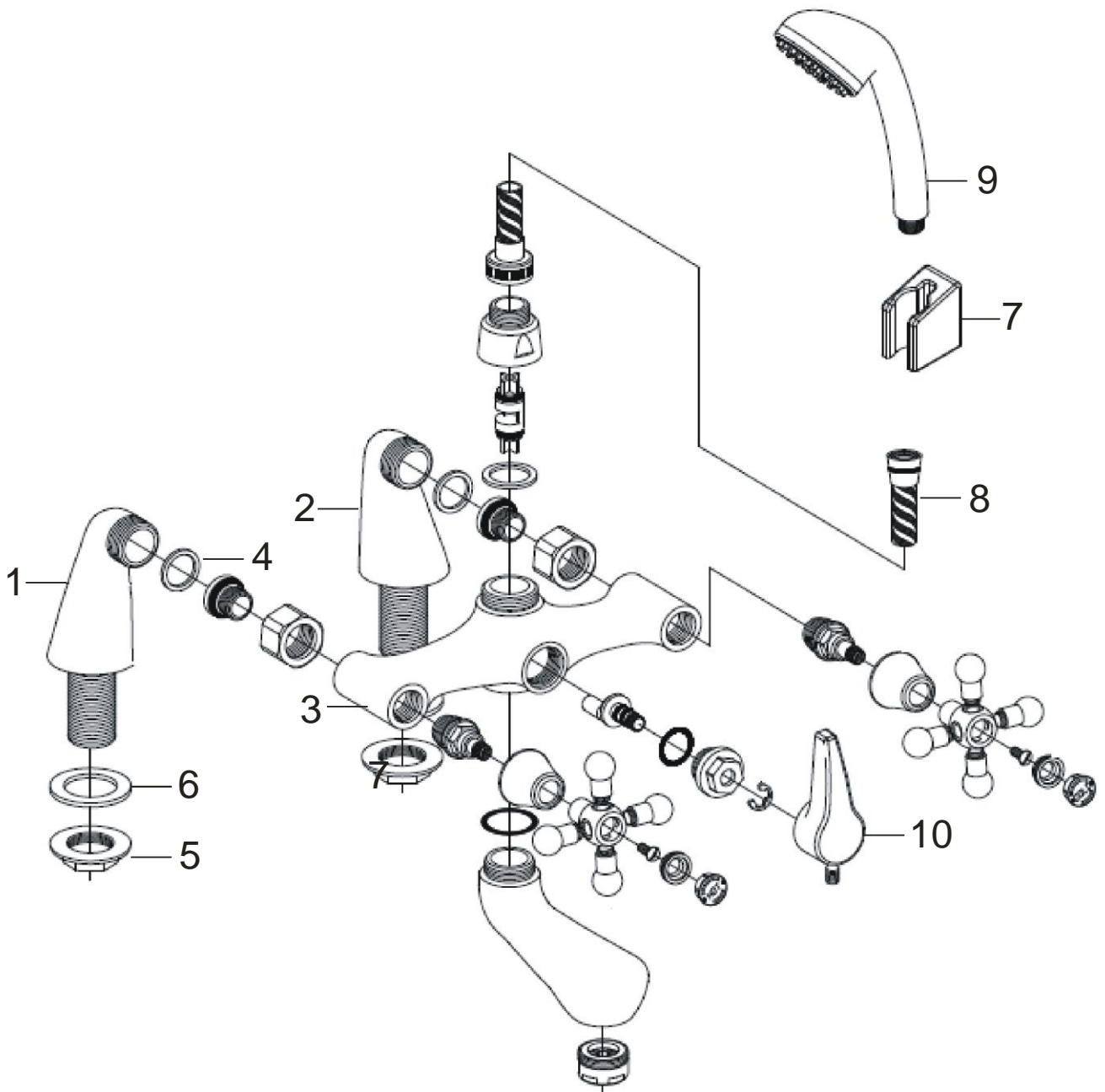
1500mm HOSE, HANDSET & WALL BRACKET



1500mm HOSE, HANDSET & WALL BRACKET

## Installation continued

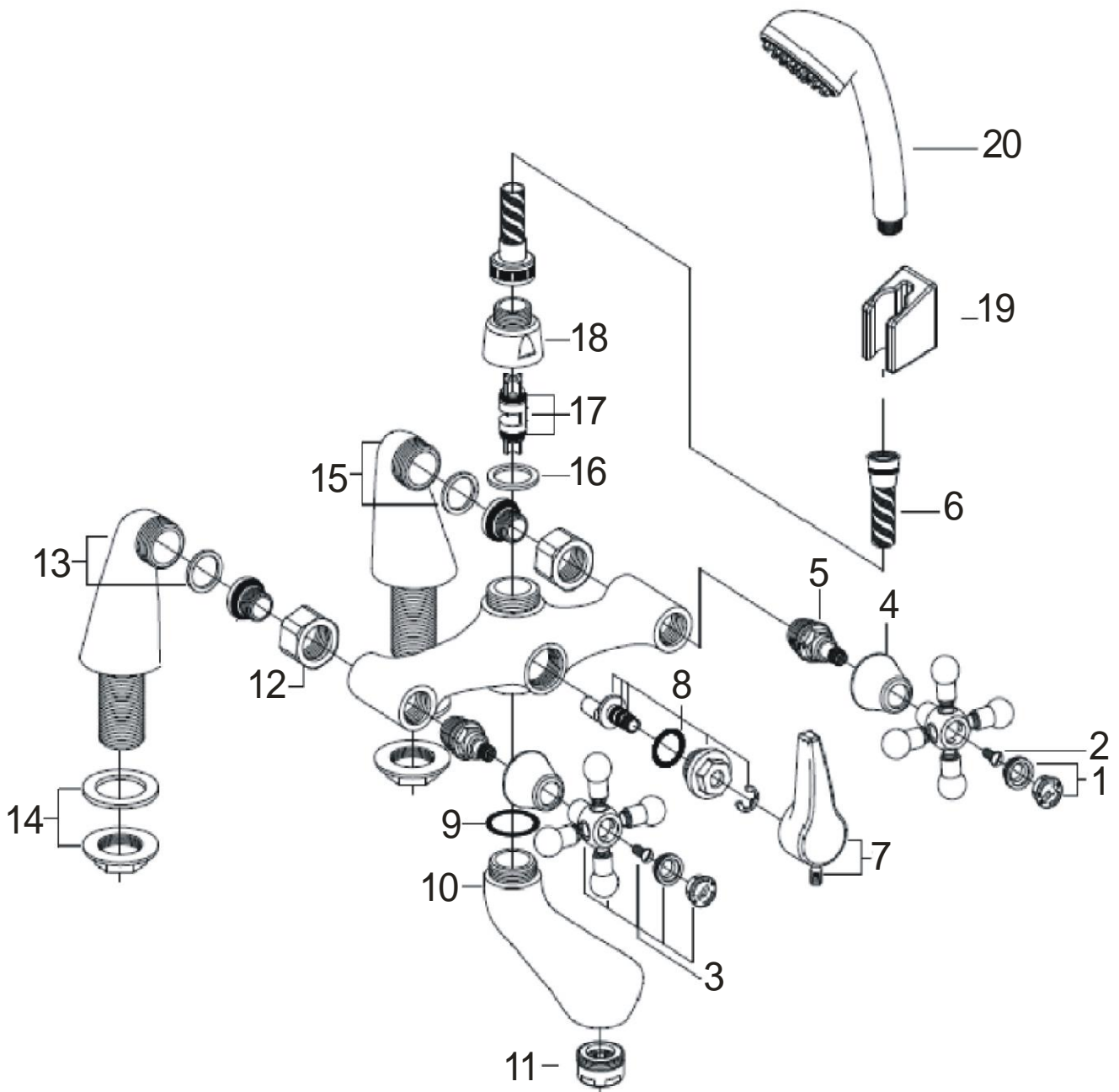
1. Identify all components are present prior to installation.
2. Fit the legs (1 and 2) to the body (3) using the large sealing washers (4).
3. Fit the mixer to the bath using the backnuts (5) and washers (6) and connect the hot and cold water supplies.
4. Fit the wall bracket (7) to the wall using the fixing kit provided.
5. Fit the hose (8) to the wall bracket (7) and the handset (9).
6. Fully open both valves, letting the water run for a few minutes to flush the system and check for any leaks.
7. Operate the mixer in both bath fill and shower mode. To switch from bath filler to shower mode simply move the diverter lever (10) from one direction to the other.



## Installation continued – Contents List

### Contents list

1. Indices	x 2	11. Anti splash	x 1
2. Screw	x 2	12. Nut	x 2
3. Handle	x 2	13. Pillar leg (left) and washer	x 1
4. Shroud	x 2	14. Backnut	x 2
5. Valve	x 2	15. Pillar leg (right) and washer	x 1
6. Hose and washer	x 1	16. Filter washer	x 1
7. Diverter lever	x 1	17. Shuttle	x 1
8. Diverter mechanism	x 1	18. Outlet reducer	x 1
9. 'O' Ring	x 1	19. Wall bracket	x 1
10. Spout	x 1	20. handset	x 1



## 5. Cleaning & Maintenance

Your fitting has a high quality finish and should be treated with care to preserve the visible surfaces.

All finishes will wear if not cleaned correctly. The only safe way to clean your product is to wipe with a soft damp cloth. Stains can be removed using washing up liquid. All bathroom cleaning product (powders and liquids) will damage the surface of your fitting, even the non-scratch cleaners.

**NOTE:-** Never use abrasive detergents or disinfectants or those containing alcohol, hydrochloric or phosphoric acid.

We advise that your fitting is regularly serviced, particularly in hard water areas.

### Maintenance

Traditional valve type:- if the fitting leaks from the spindle

1. Remove the fitting head and shroud (if necessary).
2. Tighten the gland nut as shown in the diagram.

Sureflow type valves:- if the fitting self-opens

1. Remove the fitting head.
2. Tighten the gland nut on top of the valve.

All valve types:- if the fitting begins to drip

1. Turn off both water supplies.
2. Remove fitting head and valve.
3. Carefully clean seating and rubber washer.
4. Replace the valve and head and then turn on the water supplies.
5. Contact our helpline if the problem persists.

Bristan recommend E-Cloth for cleaning all of our bathroom & kitchen products. Using just water, E-cloth gives a smear free, deep clean by breaking up and holding dirt, which normal cloths leave behind. Order through your Bristan stockist.

**(ORDER CODE: E-CLOTH)**





## **Notes:**

Please use this space to add any notes which you or your installer may have regarding the plumbing system/installation of this product.



## Notes:

Please use this space to add any notes which you or your installer may have regarding the plumbing system/installation of this product.

At Bristan, we want to make things as easy as possible for our customers.

That's why we design products that are easy to fit and use, and that are quality tested to make sure they won't let you down. It's also why we offer solid guarantees on all products, effective from the date of purchase, to give you peace of mind.

All Bristan taps and mixers are covered by a **5 year guarantee**. This also includes **1 year labour cover\*** which means that, in the unlikely event that you should encounter a problem in the first year after purchase, we'll send one of our expert engineers to fix it.



**Guarantee**

\*Labour is provided by an approved Bristan Care engineer or appointed representative. The guarantee only applies to products with a manufacturing fault. There will be a call out charge for any incidents where no fault has been found with the product, or if the issue is due to poor installation or maintenance.

## Register Now and Extend Your Cover

Register your tap/mixer with us now and we'll extend your labour cover to **2 years – FREE!**

You can register quickly and easily online at [www.bristan.com/register](http://www.bristan.com/register). Alternatively, please fill in the details on the enclosed registration card and post it back to us.

## Guarantee Terms and Conditions

This guarantee is in addition to your statutory and other legal rights and is subject to the following conditions:

The product was purchased within the United Kingdom or Republic of Ireland.

The product is used in domestic applications only. For commercial or non-domestic applications such as leisure centres, sports clubs, hotels, premises operating as a business, the guarantee period is reduced to 1 year.

The guarantee applies solely to the original purchaser with proof of purchase.

The installation must allow ready access to all products for the purpose of inspection, maintenance or replacement.

Repair under this guarantee does not extend the original expiry date. The guarantee on any replacement parts or product ends at the original expiry date.

Any part found to be defective during the guarantee period will be replaced without charge, providing that the product has been installed in accordance with the instructions given in this guide and used as the manufacturer intended.

The Guarantee Does Not Cover:

- Damage or defects caused by
  - general wear and tear (including special non-chrome finishes; components such as filters, seals, 'O' rings and washers)
  - incorrect installation
  - repair using non-Bristan parts
  - accidental or wilful misuse
  - corrosion and the use of inappropriate cleaning products.
  - system debris including the build up of limescale (which can be controlled through regular servicing and maintenance)
- Compensation for loss of use of the product or consequential loss of any kind.

In the interests of continuous product improvement, Bristan reserves the right to alter product specifications without notice.

The Bristan Product Guarantee does not affect your statutory rights as a consumer.

## Need Help?

If your product does not function correctly when you first use it, contact your plumber and make sure that it has been installed and commissioned in line with the instructions in this guide. If this doesn't solve the problem, then please visit [www.bristan.com/bristancare](http://www.bristan.com/bristancare) for some helpful hints and tips, or contact **Bristan Care Customer Service on 0844 701 6273** where our expert team of advisors will be able to offer you, or your plumber, help and advice.



**Guarantee**

## Problems During the Guarantee Period

In the unlikely event that you encounter any problems with the product during the guarantee period, contact **Bristan Care Customer Service on 0844 701 6273** with your proof of purchase or unique guarantee registration number, and we will work to resolve the problem quickly.

## Extended Guarantees

If your product is out of its guarantee period, or you would like to extend the guarantee, then please visit [www.bristan.com/customerservice](http://www.bristan.com/customerservice) for extended guarantee options.

## Bristan Care Customer Support

Bristan customers also benefit from the support of Bristan Care, our comprehensive customer support package which offers:

**Technical support hotline** (Tel: 0844 701 6273) with access to fully trained advisors who can offer installation advice, talk you through quick maintenance checks, or recommend the best course of action to fix any problems with a product

**Expert advice** Find easy to follow 'how to' video guides and technical FAQs online at [www.bristan.com](http://www.bristan.com). Our guides take you step-by-step through many product installations and you can find plenty of easy guides to quick product fixes and servicing.

**Spare parts** We hold thousands of spares and we keep them for discontinued products for over seven years. Spares can easily be ordered online at [www.bristan.com](http://www.bristan.com) and are dispatched the same day.

**Expert plumbing engineers** If we can't solve the problem over the phone or with a spare part, then we'll send out one of our Bristan Care engineers to take a look. Bristan Care engineers provide free support for products that are within guarantee, but are also available to service products that are out of guarantee for a small charge. For details, please call customer services on 0844 701 6273.

This booklet covers all product codes

R BSM C

R BSM G

R DBSM C

R DBSM G

R LBSM C

R L BSM G

R TBSM C

R TBSM G

**Helpline**

**0844 701 6273**

Bristan Group Limited  
A Masco Company  
Birch Coppice Business Park,  
Dordon,  
Tamworth,  
Staffordshire  
B78 1SG

Website: [www.bristan.com](http://www.bristan.com)

Telephone: 0844 7016 274

Facsimile: 0844 701 6275

Email: [enquire@bristan.com](mailto:enquire@bristan.com)

FI (RBSM) – REV. D6