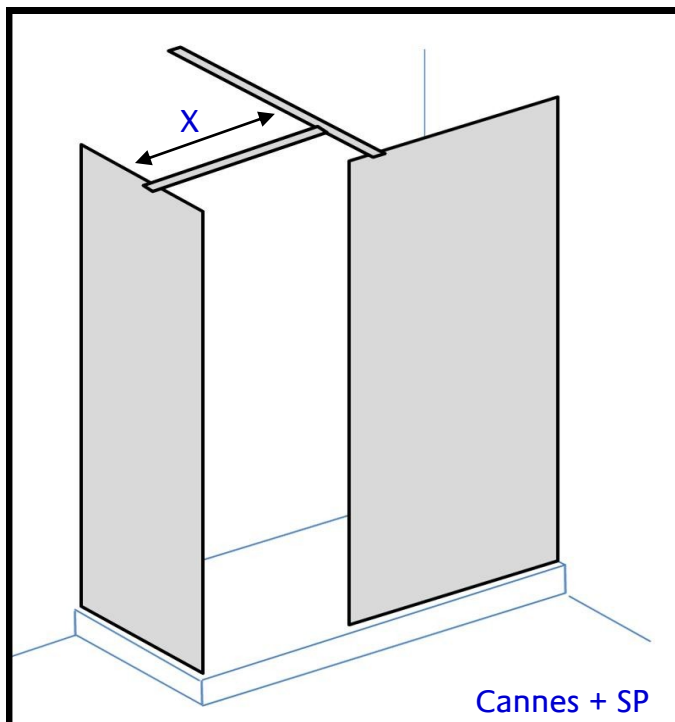


SK-65 Inst ~ 90° Bar Joining Bracket (Coastline)

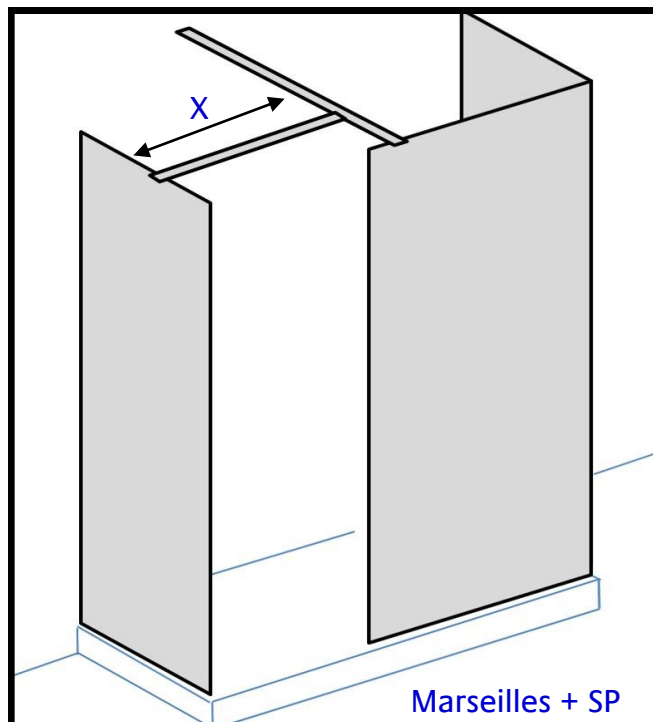
Installation Instructions

Rev 01.19

Refer also to relevant Coastline Installation Instructions :



Cannes + SP



Marseilles + SP

1. Assemble shower screen complete with front to back bracing bar.
2. Assemble side panel ~ do not fit bracing bar at this stage.
3. Measure the internal distance between side panel glass & front to back bracing bar (X).
4. Carefully cut & deburr side panel bracing bar to X-6mm.
5. At 'factory cut' end of bar, fit joining bracket to bar end & mark hole positions. Remove bracket & drill 2x dia 4mm hole through top surface of bar only. Refit bracket & affix with (3,5x12) CSK screw.
6. Using bracket as a guide, mark & drill dia 2,5 ~ 3mm hole through top surface of main bracing bar & affix with (3,5x12) CSK screw.
7. For Hinge Door bracing bar tee joint—determine tee bar position, & follow steps 5 & 6 only.

