

# COASTLINE ONE DOOR QUADRANT ENCLOSURE

Installation / Maintenance Instructions

Rev 06.15



**Lakes**  
Bathrooms

SUPERIOR AS STANDARD

## **IMPORTANT NOTES :**

Please Read Carefully & retain these instructions for Future Reference.

1. For ease & safety we advise that two persons assemble this product.
2. Protect shower tray surfaces at all times.
3. Exposed glass corners / edges MUST NOT contact hard surfaces at any time.
4. Check for cables, pipes etc before drilling walls.
5. Ensure all surfaces are dry, clean & free of loose debris / dust.
6. Unpack goods with care (small parts can become lodged in packaging & inadvertently discarded). Check parts supplied against parts & fittings listed herein. Damaged parts / omissions may be resolved by calling Lakes Bathrooms Helpline.
7. Whilst precautions are taken in manufacture, care must be taken when handling as rail ends may have sharp edges.
8. Before commencing, check :
  - a) shower tray (or base) is level & completely sealed to finished / tiled walls.
  - b) finished walls are sound & free of cracks, loose tiles / grout.
8. AFTER INSTALLATION, DO NOT 'WET' ENCLOSURE FOR 48 HOURS TO ENSURE FULL CURE OF SILICONE SEALANT.

## **USE :**

### **General Care & Maintenance.**

Provided this product is installed & operated in accordance with these instructions, problems should not arise. However should maintenance be required it should be carried out by a competent person with reference to these instructions. Before any work is carried out the root cause of the problem must be identified. Lakes Bathrooms service engineers are available if necessary to consult / carry out remedial work. Call Lakes Bathrooms HELPLINE.

### **Cleaning.**

(Every one to two weeks depending on local water {hardness} conditions).

All glass panels in this product have a hydrophobic coating aiding 'runoff' of water droplets, reducing the need for frequent cleaning. For best appearance / product life however, regular cleaning is recommended.

Use ONLY mild soap / detergent solutions to clean. Rinse with water, squeegee glass panels & wipe frames dry with a soft cloth. Under no circumstances should abrasive, caustic or scouring products be used. DO NOT use 'spray & leave' type cleaning products. Non compliance with these cleaning instructions may cause decorative finishes to deteriorate & could adversely affect safe operation of the enclosure.

Limescale ~ should a build up of limescale occur, remove using a 50:50 solution of white vinegar & water applied with a soft cloth & rinsed / dried thoroughly afterwards.

### **Daily Care.**

To prevent the build up of limescale, do not allow water droplets to dry on glass or frames. After showering, rinse with water, remove droplets from glass with a squeegee & wipe frame with a soft cloth.

### **Customer Service.**

Quality Guarantee : Lakes Bathrooms Ltd guarantee Shower Doors & Enclosures against any manufacturing or material defects for the lifetime of the product. We will resolve defects free of charge by repairing / replacing parts as we feel necessary. To be 'free of charge' service work must be carried out by Lakes Bathrooms or approved agents.

Not Covered by this Guarantee : Damage or defects that result from improper installation, improper use, or lack of maintenance (including limescale buildup). Damage or defects that result from repairs / modifications undertaken by unauthorized persons. This guarantee is in addition to statutory & other legal rights.

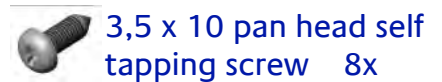
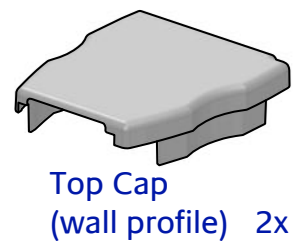
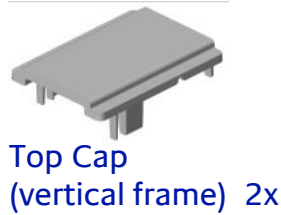
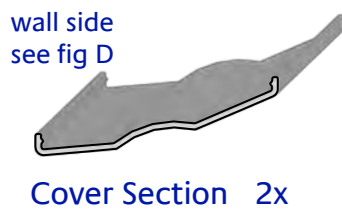
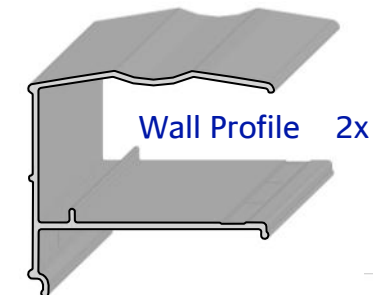
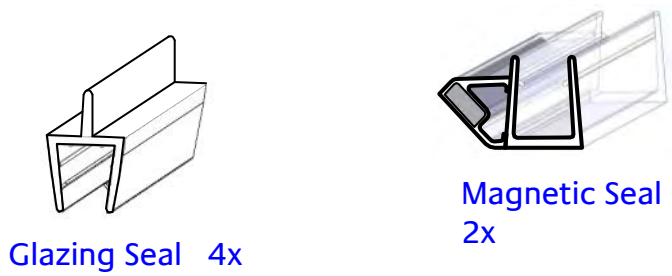
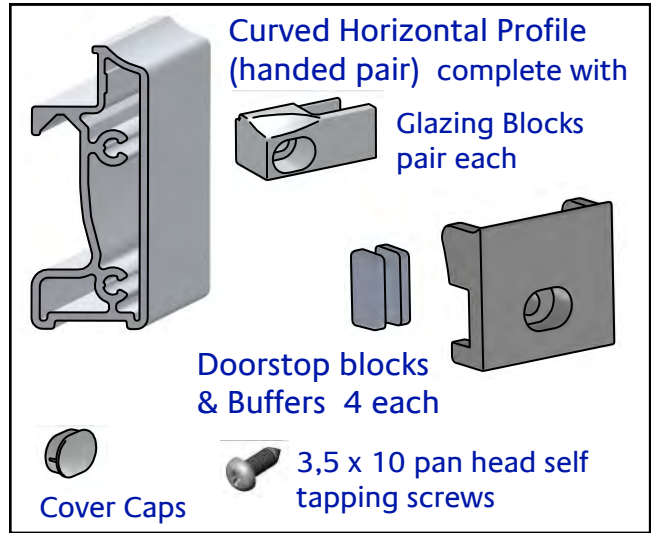
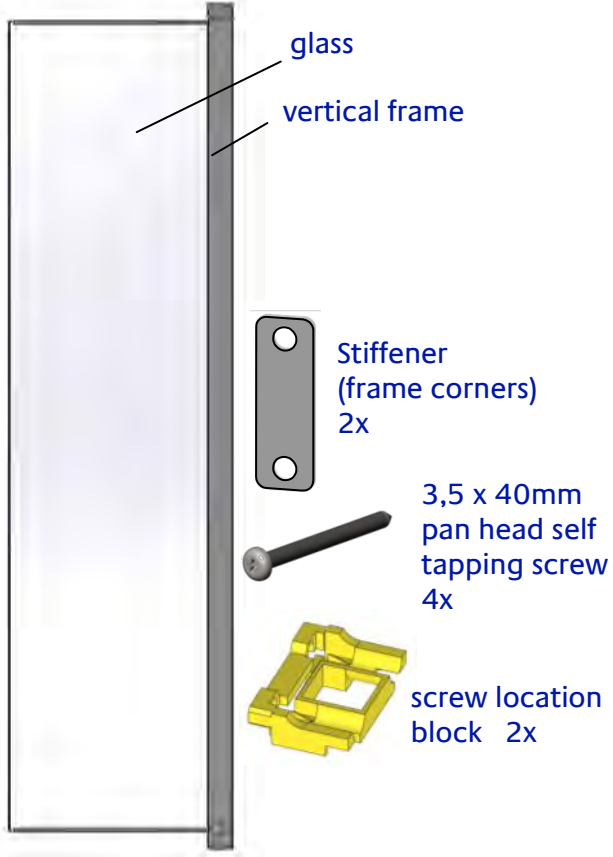
What to do if something goes wrong : Should the product not function correctly on initial use, firstly, contact the installer to check that unit installation & commissioning are in accordance with these instructions. Should this not resolve difficulties or should performance decline, consult 'Troubleshooting' section to see if simple home maintenance is needed. Alternatively our HELPLINE staff can assist, or if necessary arrange for a service engineer to visit.

Spares : We maintain extensive spare part stocks. Spares can be ordered / purchased from your retailer in the first instance. Parts will normally be dispatched within two working days from order placement.

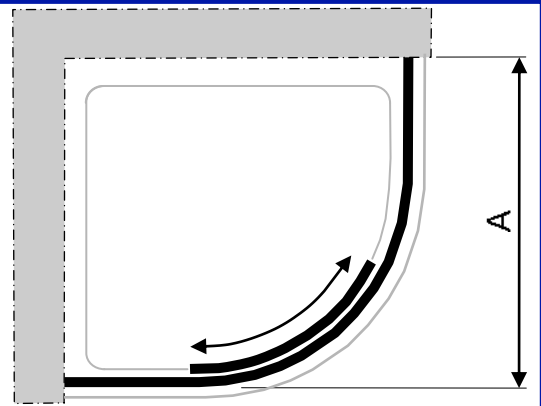
Pro Forma invoices will be sent for cheque payments.

**SUPPLIED PARTS :**

Fixed Panel Sub Assy 1x flat : 1x curve



SIZE	Adjustment A	X Wall Profile Position (outside)
800 (080)	765—795mm	780mm
900 (090)	865—895mm	880mm
100 (100)	965—995mm	980mm
900800 (090080)	865-895/765-795mm	880 / 780mm
1000800 (100080)	965-995/765-795mm	980 / 780mm
1200800 (120080)	1165-1195/765-795mm	1180 / 780mm
1200900 (120090)	1165-1195/865-895mm	1180 / 880mm



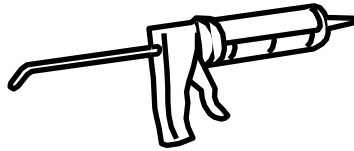
**Tools Required**



Pencil



Pozidriv Screwdriver



Good quality silicone sealant & applicator



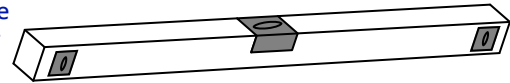
Power drill & 8mm masonry bit



Tape Measure



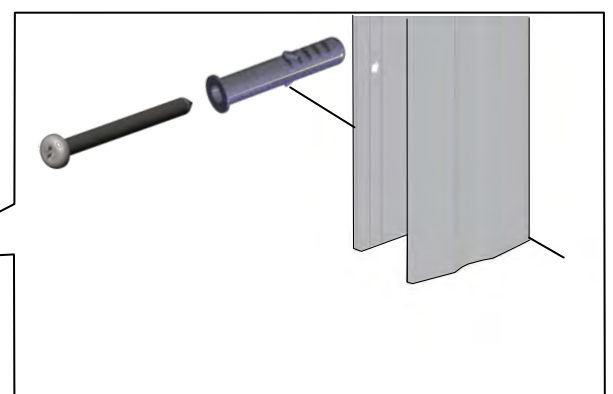
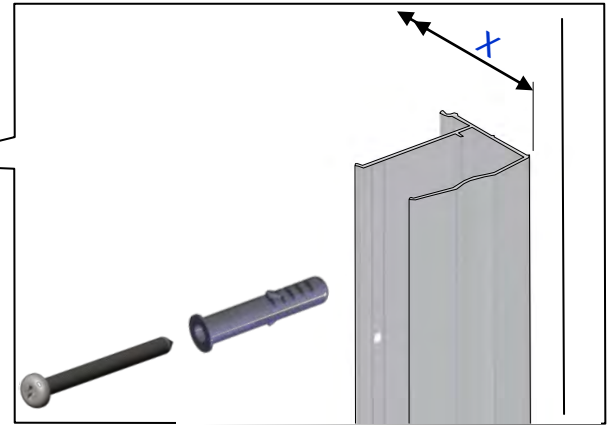
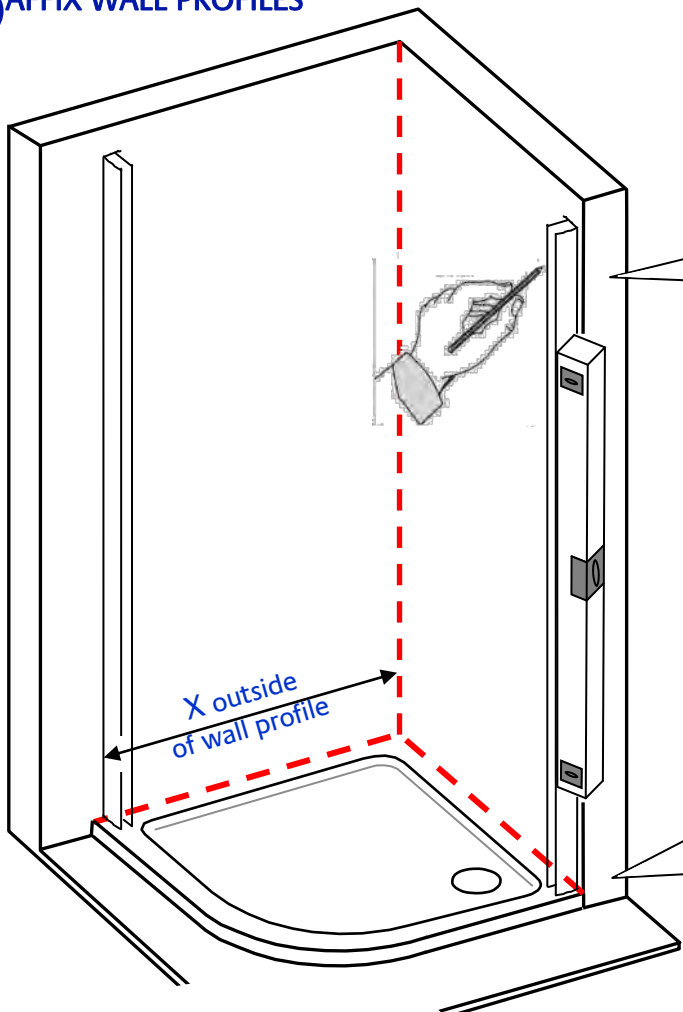
3mm HSS drill bit



Spirit Level (with vertical 'bubble')

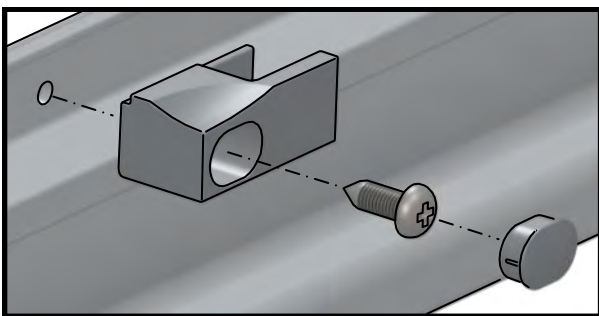
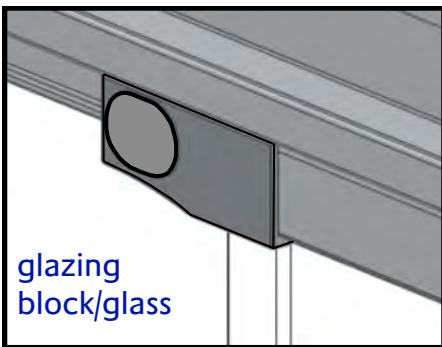
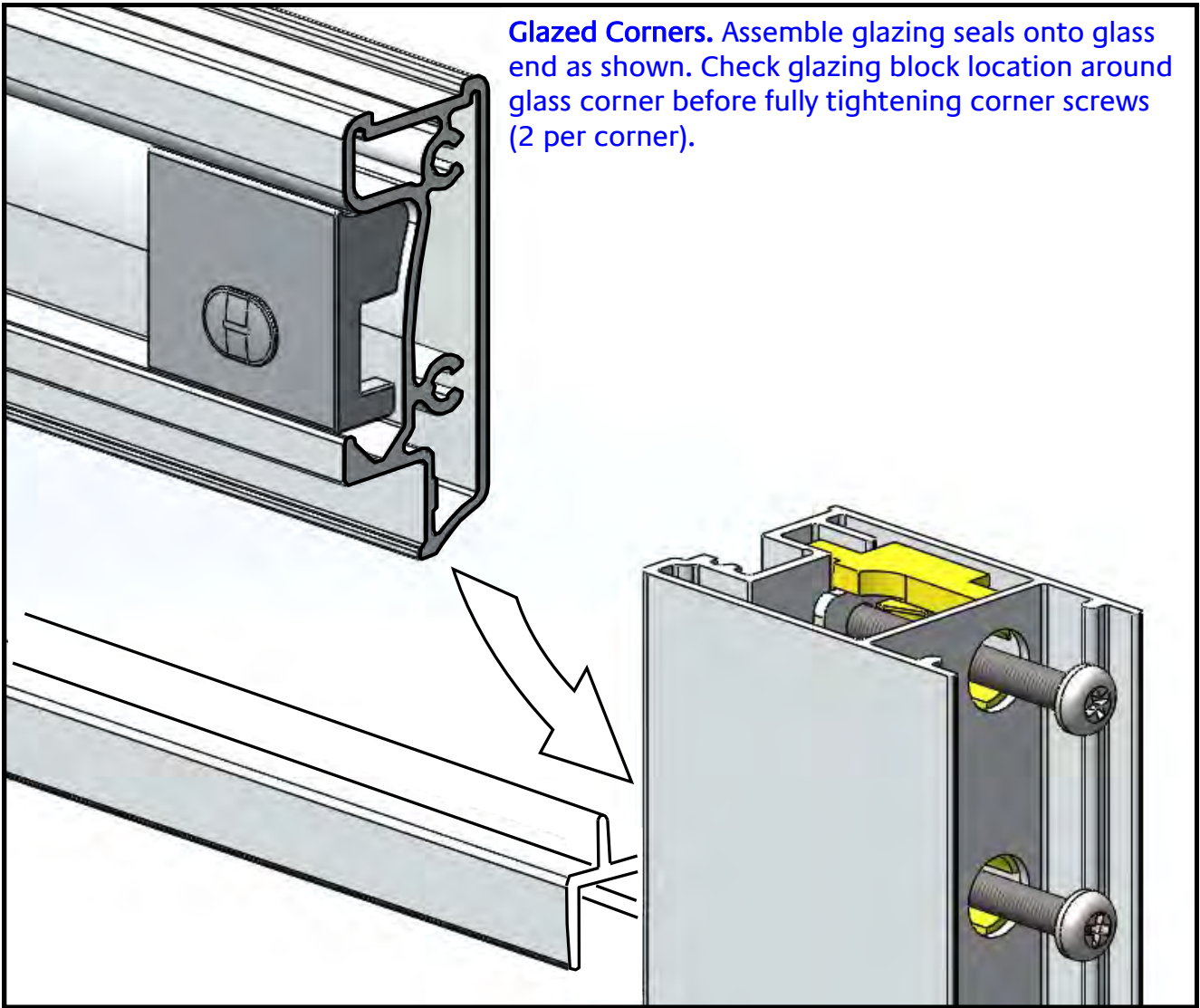
Lakes Coastline Quadrant is fully reversible, so suitable for fitting to left or right hand trays.  
 Ensure tray is correctly levelled & that all tray/wall joints are sealed & cured over entire length of tray sides (See Fig A - - - - -) prior to fitting enclosure.  
**DO NOT SEAL BASE / WALL EDGES UPTO A FITTED ENCLOSURE !**

**A AFFIX WALL PROFILES**

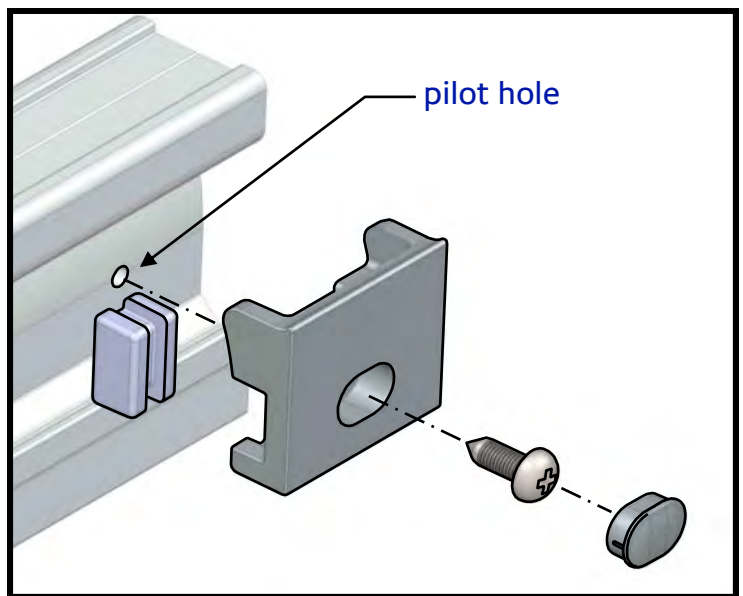


Wall profile orientation : Mounting holes to inside (wet area).  
 Measure, plumb & mark wall profile positions, drill, plug & affix both wall profiles.

**B** FRAME SUB ASSEMBLY (glazing blocks / doorstops pre fitted—shown for reference only)



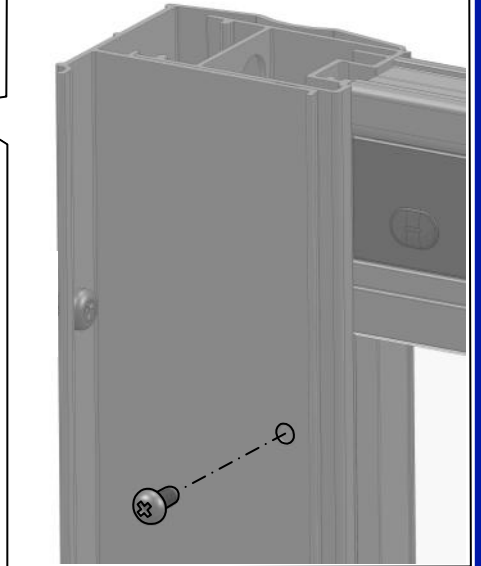
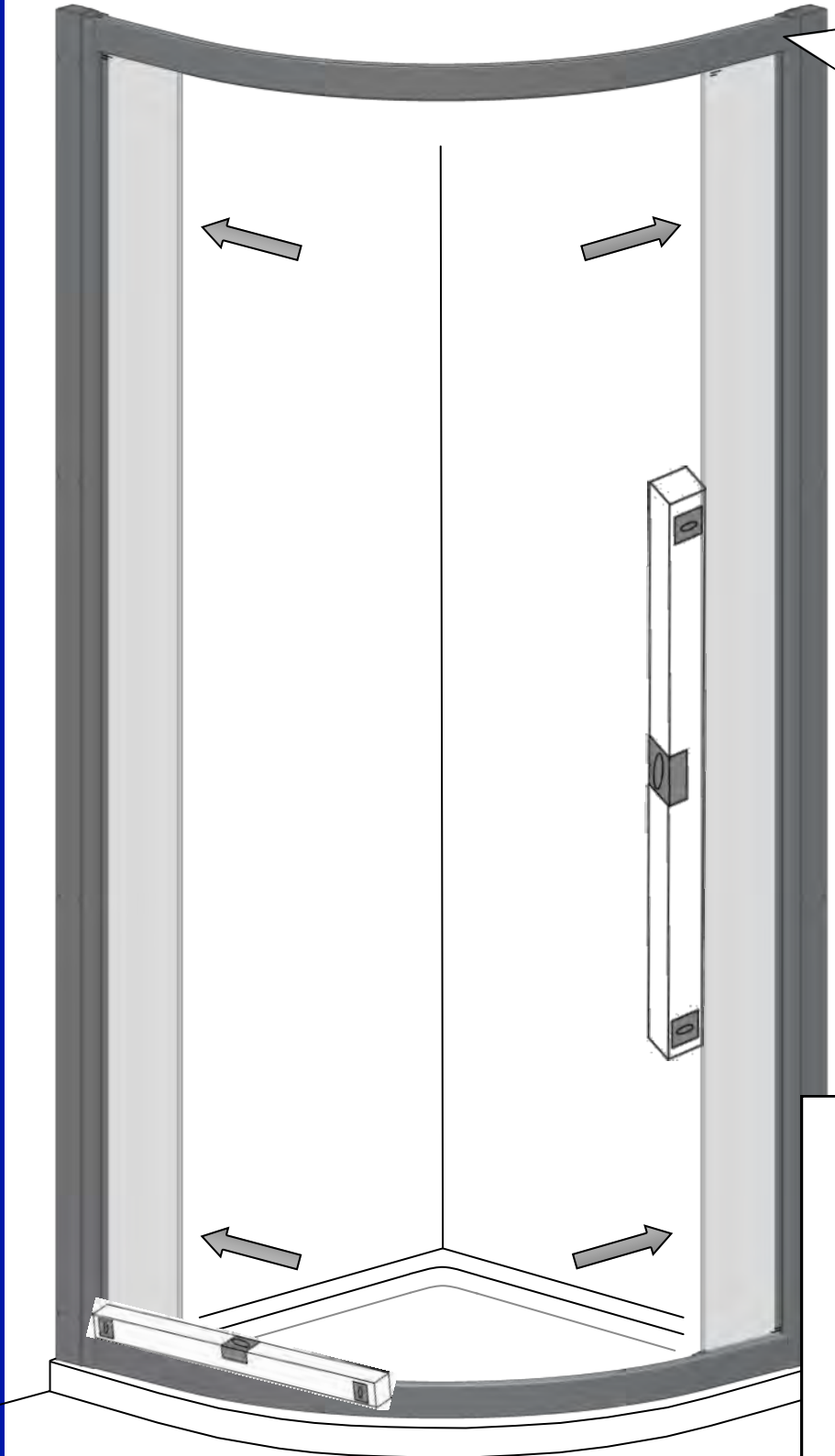
If necessary, remove / refit as shown



If necessary, remove / refit as shown



### PLUMB, & AFFIX FRAME

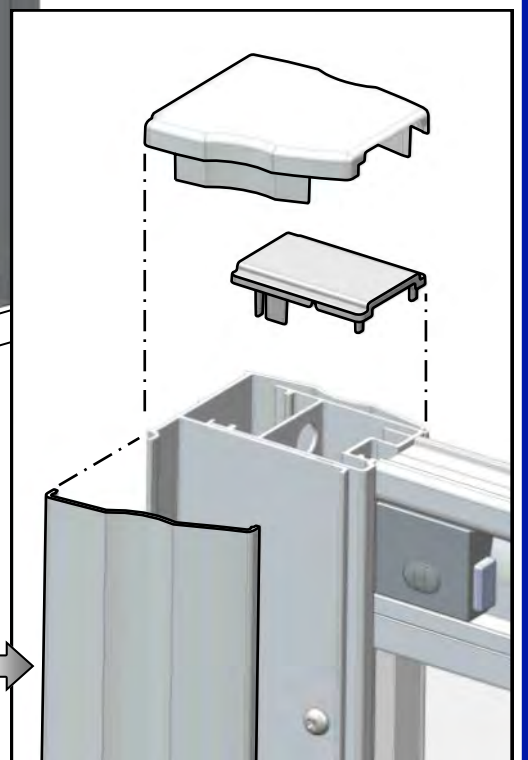


Manipulate & centralise frame in wall mounts until plumb (check vertical & horizontal frame members).  
 Check that frame is parallel to tray edges & curve.  
 With frame in desired position, from inside enclosure, using wall profile holes as a guide, drill dia 3mm pilot holes & affix frame to wall mounts with 8 off 3,5 x 10 self tapping screws.

Carefully orientate cover section, & from inside enclosure, working from top to bottom, snap fit cover section onto wall profile.

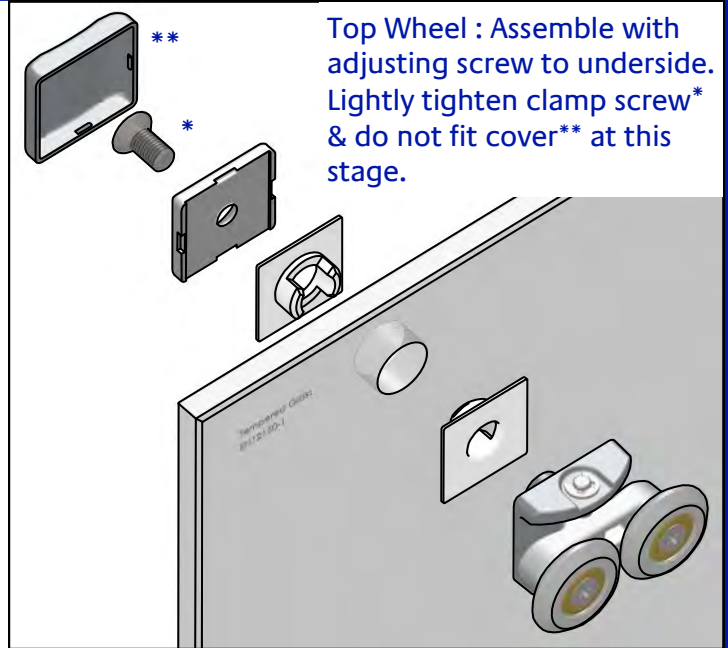
Fit frame & wall profile top cover caps.

Cover Section wall side

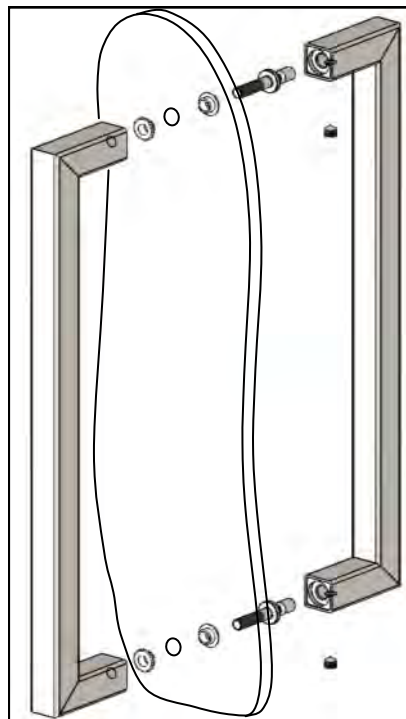


## D DOOR ASSEMBLY

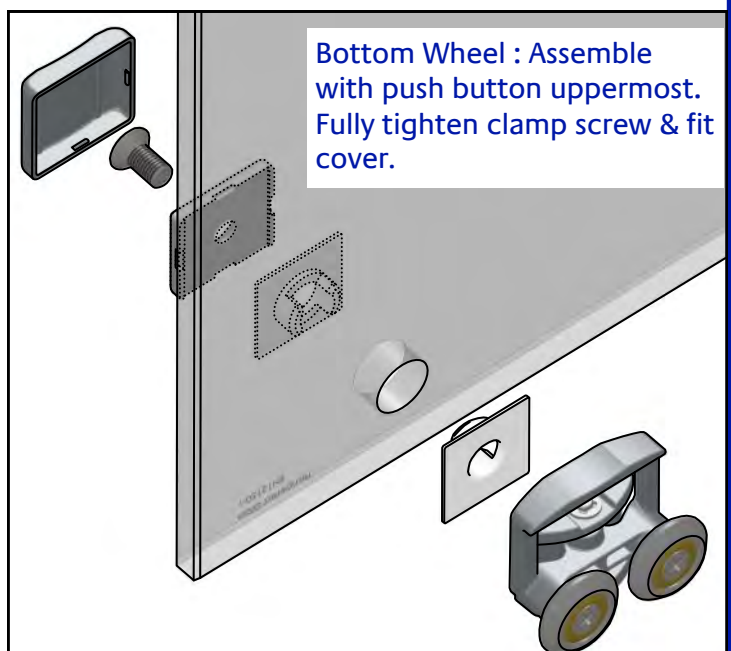
Right hand shown.  
(reverse for Left hand)



Top Wheel : Assemble with adjusting screw to underside. Lightly tighten clamp screw\* & do not fit cover\*\* at this stage.

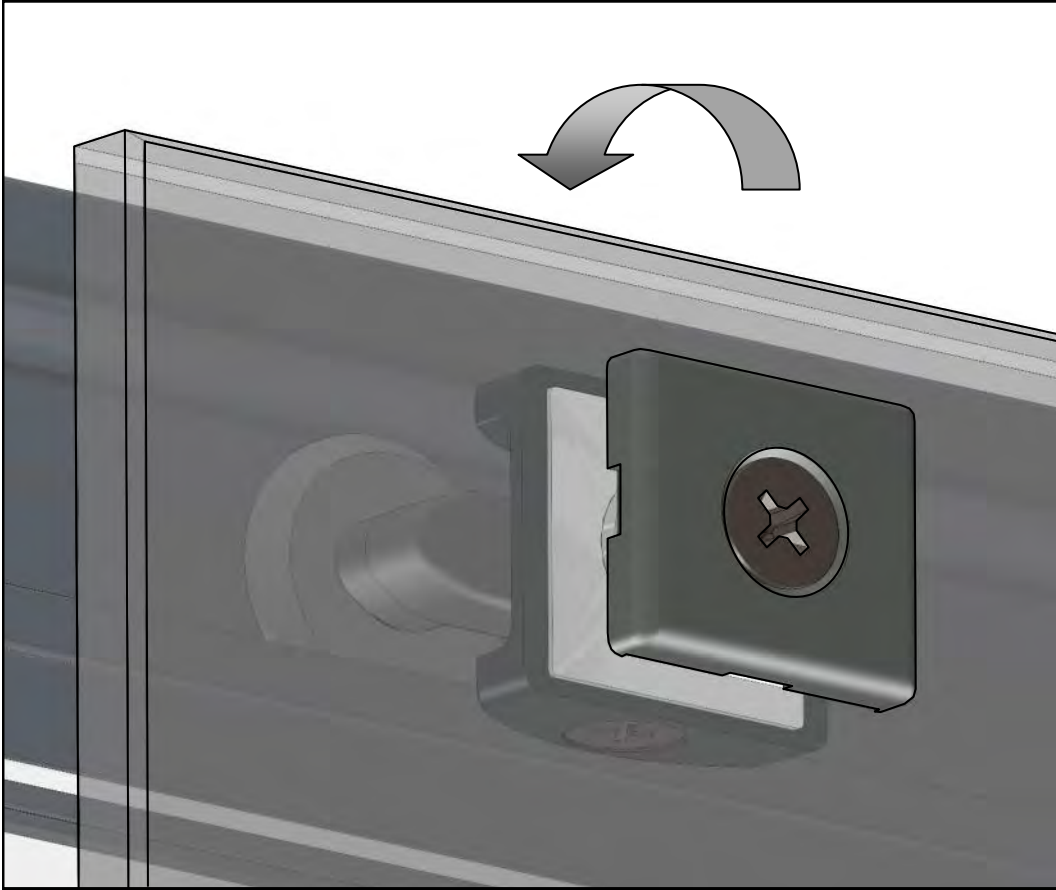


Assemble handle to glass as shown (grubscrews to inside). Ensure plastic washers are fitted each side beneath handles. Tighten grubscrews fully to retain.

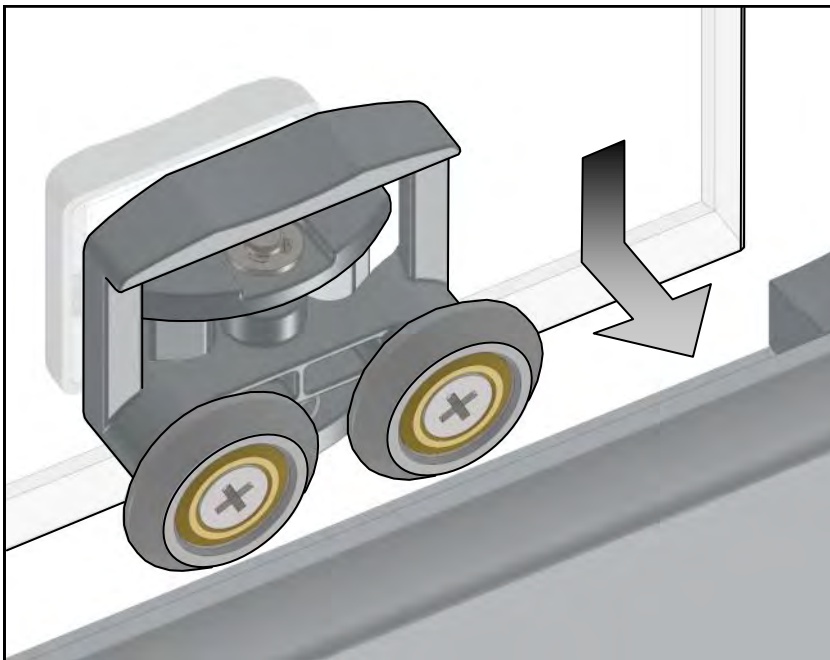


Bottom Wheel : Assemble with push button uppermost. Fully tighten clamp screw & fit cover.

## E HANG DOORS



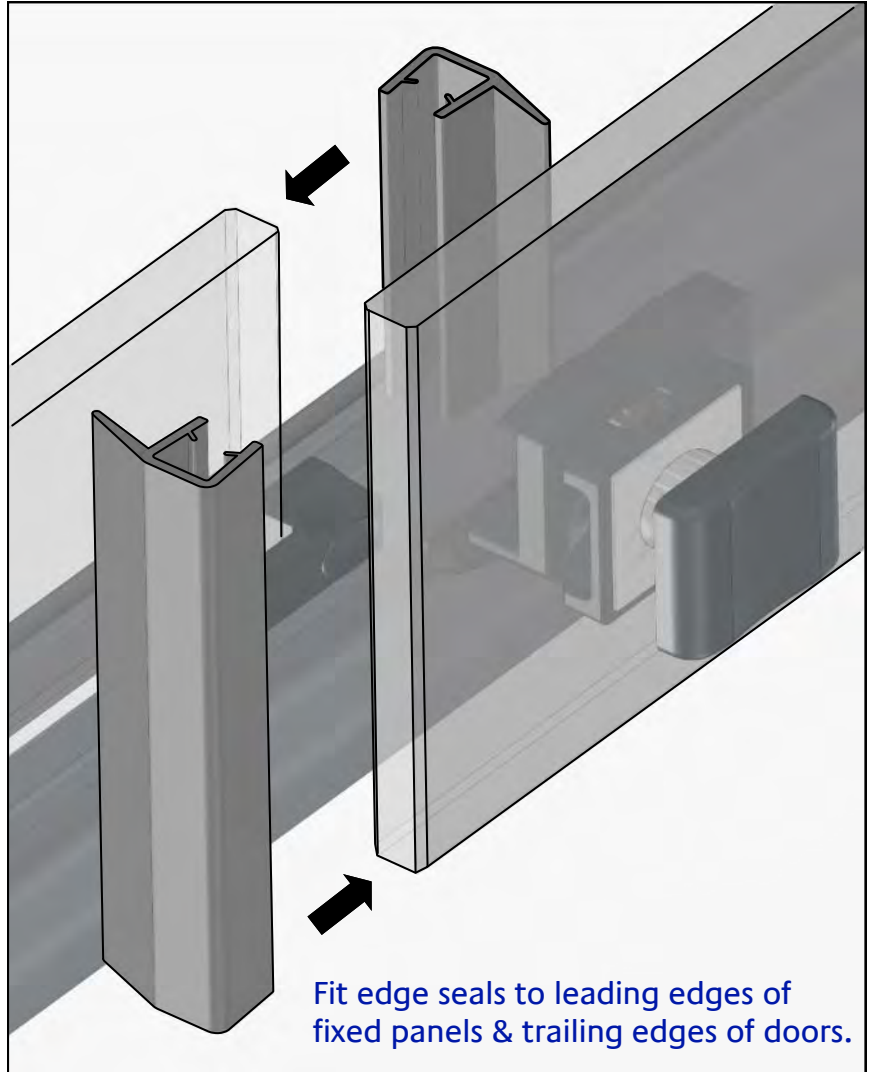
Carefully lift doors into enclosure & engage top wheels into wheel groove.  
(If necessary loosen, but do not remove centre screw to permit engagement).  
Immediately after all wheels are correctly engaged, fully tighten centre screw to retain door.  
Fit internal wheel covers \*\*.  
From outside enclosure, using buttons, engage bottom wheels in bottom



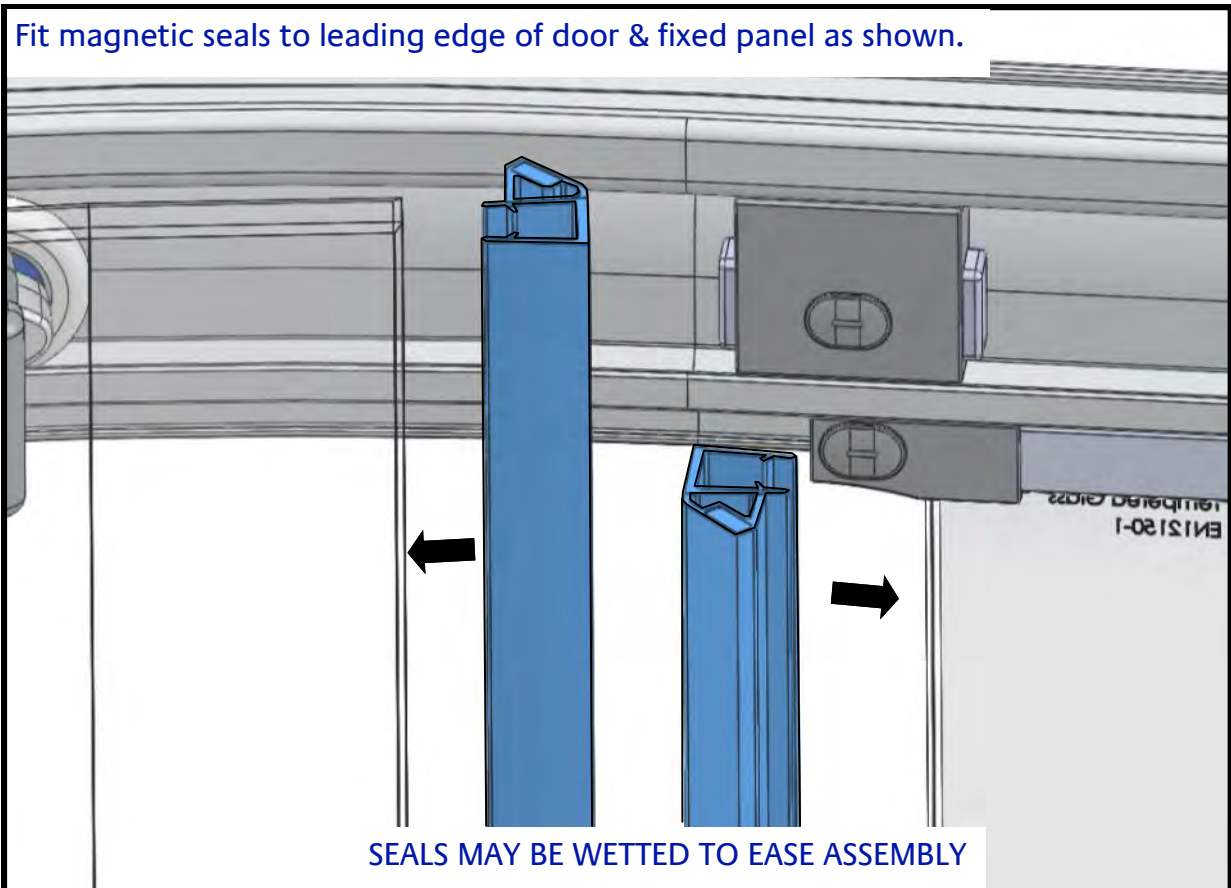
From outside enclosure, using buttons, engage bottom wheels in bottom horizontal profile.



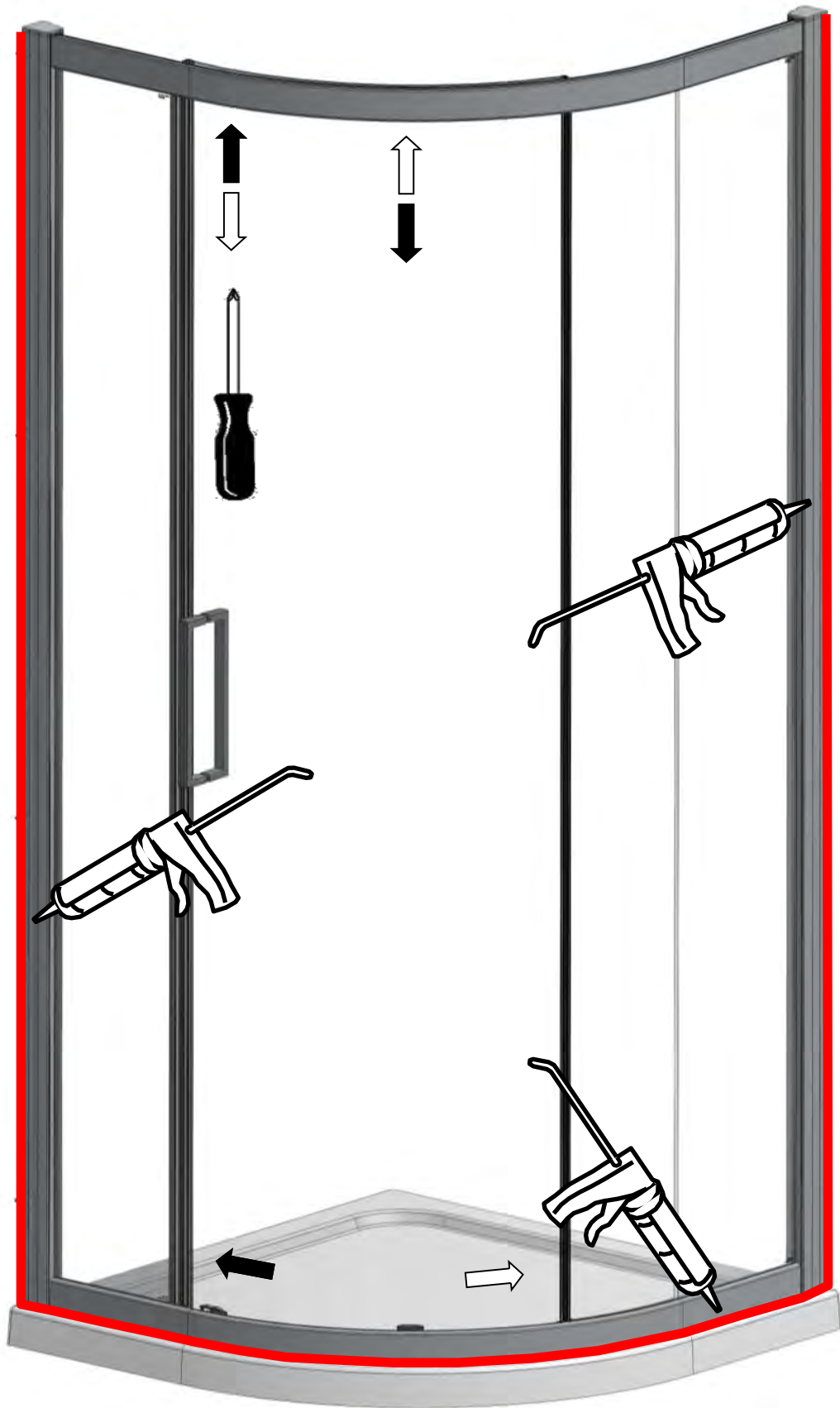
**F** FIT EDGE & MAGNETIC SEALS



Fit magnetic seals to leading edge of door & fixed panel as shown.



**G** ADJUST DOORS & SEALING



From underside of top wheels, adjust door height until bottom wheels are engaged in horizontal profile (no wobble). Then adjust door angle plumb with vertical frame profiles & check door magnets in contact over full door height.  
Use of good quality silicone sealant & cleaning / degreasing of all joint areas is recommended.  
Apply continuous silicone sealant bead EXTERNALLY ONLY

## **BASIC TROUBLESHOOTING :**

Door motion noisy / Door not running smoothly / Door loose on bottom rail :

Check for edge seals dragging on glass (can cause 'clicking' noise).

Check top wheels engaged properly in rails & roll smoothly along rails.

Check door height adjustment ~ raise doors so that spring loaded bottom wheels are in contact with, & roll smoothly along bottom rail.

Wheels & grooves are factory greased, however over time this may disperse or become contaminated by dust etc, cleaning of grooves & re application of sanitary silicone based grease will restore & ensure smooth door motion.

Door rocks in frame on fully opening / closing (on door reaching stops) :

Check door plumb ~ adjust angle until full contact with stops is achieved.

Leakage :

The sealing method described in these instructions relies on a continuous seal being applied between shower walls & tray before installing the enclosure (see fig A), it ensures a watertight seal around the perimeter of the enclosure to the shower walls & tray.

In the unlikely event of an enclosure leak, water will be visible on the outside of the enclosure itself, or around the perimeter joints ONLY. Water / moisture appearing outside this area (ie at floor level) is normally due to incorrect tray installation.



### **Lakes Bathrooms Ltd**

Alexandra Way  
Ashchurch  
Tewkesbury  
Gloucestershire GL20 8NB

Service England, Scotland, Wales

8.30am—5pm Mon ~ Thurs

8.30am—4.30pm Fri

Tel / HELPLINE : 01684 853870

Fax : 01684 857411

[www.lakesbathrooms.co.uk](http://www.lakesbathrooms.co.uk)

Email : [admin@lakesbathrooms.co.uk](mailto:admin@lakesbathrooms.co.uk)

Service : Northern Ireland

Ian A Kernohan

Firtrees

Green Way Industrial Estate

Conlig

Northern Ireland

BT23 7SU

8.30am—5pm Mon ~ Thurs

8.30am—4.30pm Fri

Tel : 02891 270233

Fax : 02891 270597

Email : [info@iakonline.co](mailto:info@iakonline.co)