

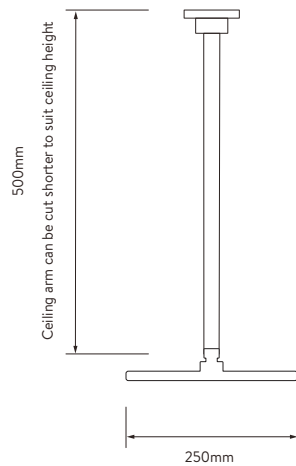
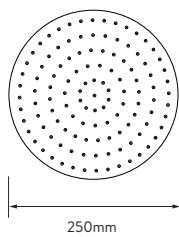
# AQUALISA UNITY Q™

UTQ.A1.BV.  
DVFC.20

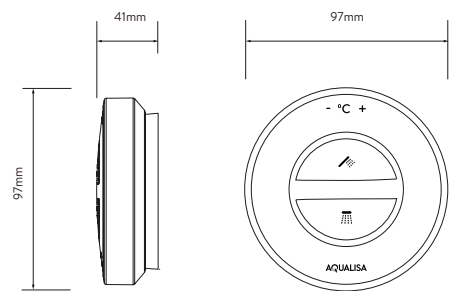
WITH ADJUSTABLE HEAD AND CEILING FIXED DRENCHER - HP/COMBI

## DIMENSIONAL DRAWINGS

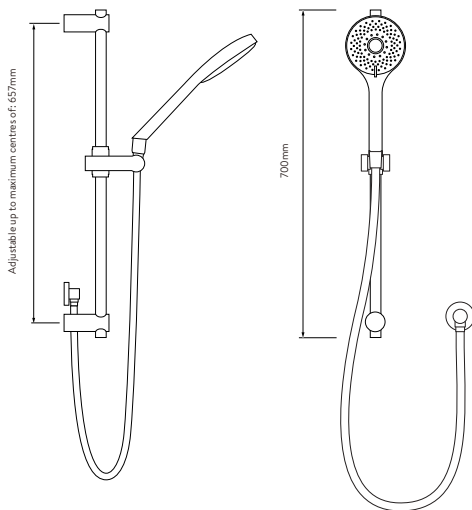
### FIXED CEILING DRENCHER



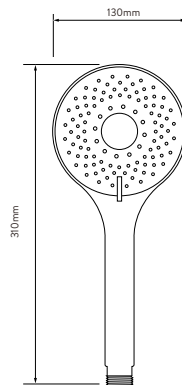
### CONTROLLER



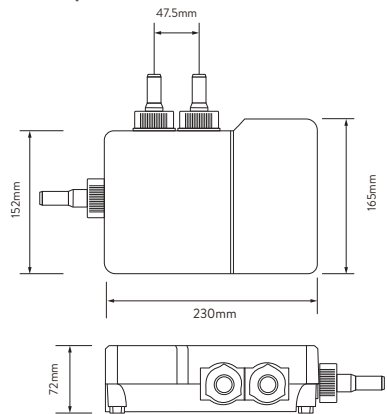
### SHOWER RAIL KIT



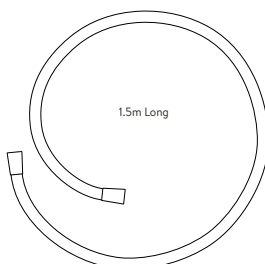
### SHOWER HEAD



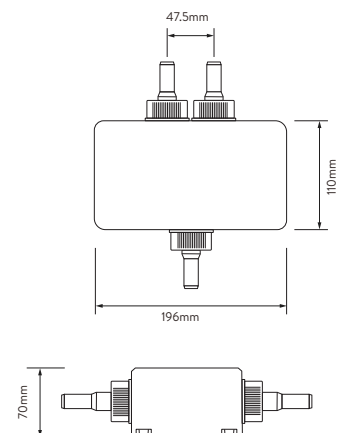
### AQUALISA SMARTVALVE™



### SHOWER HOSE



### DIVERTER



# AQUALISA

## UNITY Q™

UTQ.A1.BV.  
DVFC.20

WITH ADJUSTABLE HEAD AND CEILING FIXED DRENCHER - HP/COMBI

### TECHNICAL SPECIFICATIONS

|                                                                |                                                                                                                       |
|----------------------------------------------------------------|-----------------------------------------------------------------------------------------------------------------------|
| Minimum pressure requirements                                  | 1 bar                                                                                                                 |
| Maximum pressure requirements                                  | 7 bar                                                                                                                 |
| Aqualisa SmartValve™ inlet fitting connections                 | 15mm push fit fittings, valve inlet centres 48mm, inlet supply positions – hot right, cold left                       |
| Aqualisa SmartValve™ and diverter outlet connections           | 15mm push fit                                                                                                         |
| Permissible Aqualisa SmartValve™ and diverter siting locations | Loft, airing cupboard, under bath                                                                                     |
| Supply temperature                                             | Cold inlet temperature 1°C (minimum)<br>Cold inlet temperature 15°C (maximum)<br>Hot inlet temperature 65°C (maximum) |
| Water system                                                   | HP / Combi / Boosted gravity                                                                                          |
| Features                                                       | One touch start/stop control                                                                                          |
|                                                                | LED display indicates when pre-selected temperature has been reached                                                  |
|                                                                | Wi-Fi & App compatible – control your product with your smart phone and smart home device e.g. Alexa                  |
|                                                                | App functions include start/stop, shower timer, user dashboard, usage tracker and help & support                      |
|                                                                | Aqualisa SmartValve™                                                                                                  |
|                                                                | Digital diverter technology                                                                                           |
|                                                                | 130mm Vita™ shower head with 3 spray patterns                                                                         |
| Compatible with wired remote control                           |                                                                                                                       |
| Guarantee period                                               | 5-year guarantee - shower unit                                                                                        |
|                                                                | 2-year guarantee - shower head and kit                                                                                |
| Approvals                                                      | CE Marking                                                                                                            |
|                                                                | BEAB                                                                                                                  |