

**Rhythm** Art No. 0710

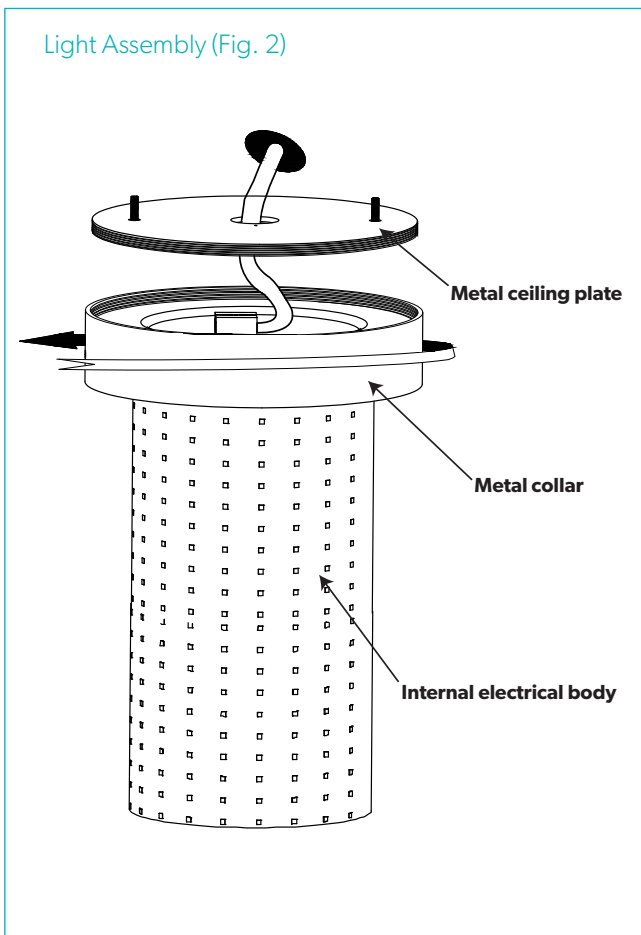
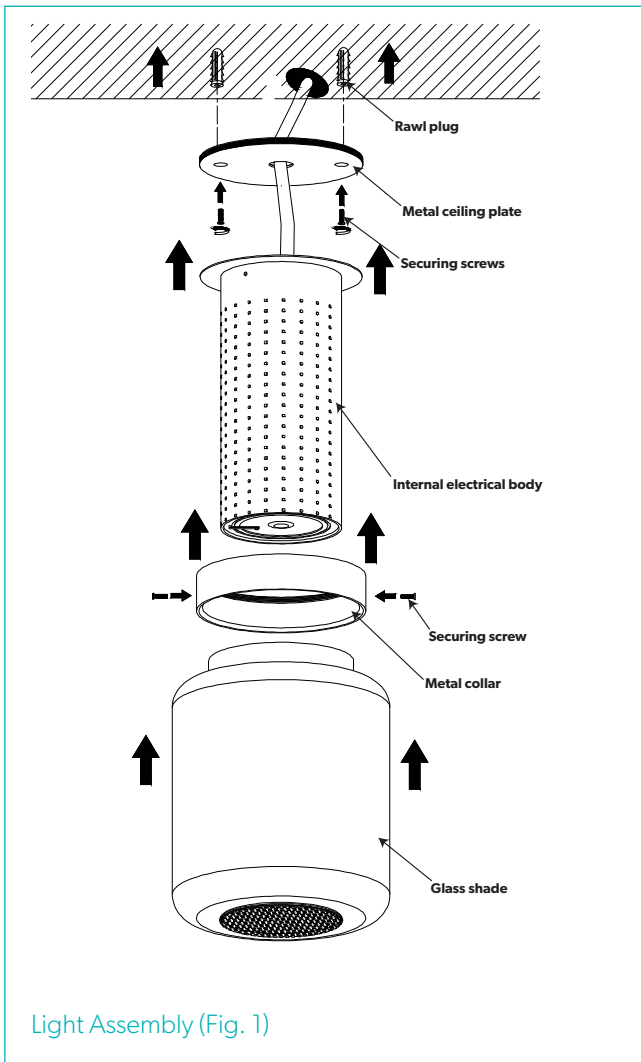
Thank you for purchasing this HiB product.

Please read through these instructions carefully and refer back to them during installation to ensure that your product is fitted safely and that it retains its high quality finish.

Please retain this leaflet for future reference.

Before drilling, ensure there are no hidden cables or pipes in the wall.

**PLEASE USE CAUTION WHEN HANDLING THE GLASS SHADE**



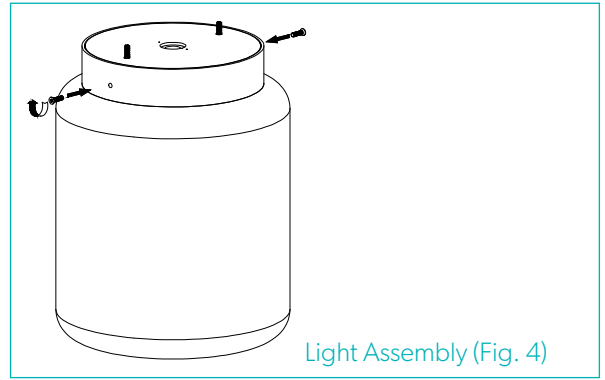
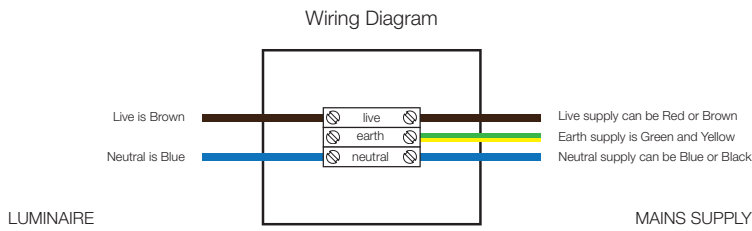
## Fitting Instruction

**PLEASE USE CAUTION WHEN HANDLING THE GLASS SHADE!**

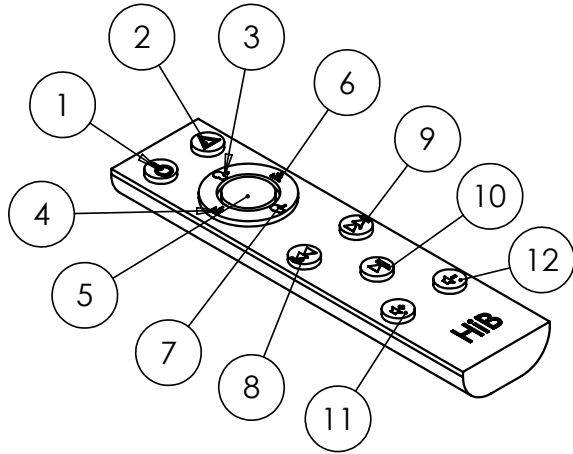
**Ensure the domestic electrical mains supply to which the ceiling light is being connected is turned off.**

1. Position the ceiling light in a suitable location (according to the zonal diagram Fig. A on the back page), ensuring that the domestic electrical mains supply is within reach of the electrical entry point of the product.
2. Remove the flat metal ceiling plate by turning anti-clockwise until it becomes loose (see fig.2).
3. Using the metal plate as a template, carefully mark on the ceiling, using a soft pencil the mounting points. **Please ensure that all marked mounting points accurately match up with the fixing points on the metal plate.**
3. **Before drilling, ensure there are no hidden cables or pipes behind the mounting points.** Using a suitable drill bit, drill holes in the marked positions to a suitable depth.
4. Insert wall plugs level with the surface of the ceiling (see fig.1). *NB. For plasterboard ceilings, specialist fixings should be purchased, available from any DIY or hardware store.*
5. **Ensure the domestic electrical mains supply to which the ceiling light is being connected is turned off.** Locate and feed mains supply through the metal plate rubber seal (see fig.2) and line the product up with marked fixing points and screw into place.
6. Connect the domestic mains supply to the terminal block according to the wiring diagram (see fig. 3).
7. Once correctly wired, line up the internal electrical body to the metal ceiling plate fixed to the ceiling and turn clockwise to secure (see fig.2).
8. When tightly secured onto the ceiling plate, take the glass shade and carefully place over the internal electrical body until the shade sits on the metal collar and secure with the two screws provided (see fig.4). **TAKE CARE WHEN TIGHTENING TO AVOID DAMAGING THE GLASS SHADE.**
9. Switch domestic electrical mains supply back on.
10. The light can be operated on the mains light switch for the room and also by the provided remote control included in the box.

Wiring Diagram (Fig. 3)



Remote control guide (Fig. 5)



- 1 - Power ON/OFF
- 2 - RGB control
- 3 - Increase brightness
- 4 - Colour temperature (Cool white) option
- 5 - Mode setting\*
- 6 - Colour temperature (Warm white) option
- 7 - Decrease brightness
- 8 - Previous song
- 9 - Skip Song
- 10 - Play/Pause control
- 11 - Increase volume
- 12 - Decrease volume

\*Clicking the mode setting switches from the cool or warm white task lighting to the last set RGB colour light.  
\*Remote supplied with x2 AAA batteries



### Pairing Device To the Rhythm Light

- To activate/pair to Rhythm Bluetooth™, turn on the light by the remote or the connected switch it was installed on. The light will give out a tone to confirm it is ready for pairing.
- Activate the Bluetooth™ on your device\*. Refer to the device's instructions for details.
- Search for "HiB". The Rhythm light will give out a tone to confirm successful connection.
- You can now play music or other media through the speaker (see Fig. 6).
- When the light is turned off the connection to the Bluetooth™ will be lost. When the light is turned on again it will automatically reconnect to the last connected device if it is still within range.
- Refer to your device manual for operating controls.
- Music will stop playing to the Rhythm Bluetooth™ light when a phone call is received or made and will automatically reconnect when finished and continue to play music.

\*Only compatible Smart Phones & Bluetooth™ Devices.

### Trouble Shooting Guide

Symptoms	Possible Problem	Solution
Device not paired	Bluetooth™ not activated	Check Bluetooth™ is activated on compatible device & light is turned on
Device not connecting	Only one device can be connected to the light at any one time	Disconnect all devices and reconnect only one device
No volume	Volume is muted on device.	Increase/unmute volume on device
No connection	Out of range	Range is within 8 metres, move device closer to Rhythm light.



**This product is IP44 - suitable for installation in zones: 2 & Outside Zones**

All installations must comply with guidelines which are based on a zonal concept. The diagram above illustrates this concept and must be followed to ensure the safe installation of electrical appliances in the bathroom. These regulations apply to domestic installations only. Installations must be made in accordance with the current IEE wiring regulations and relevant building regulations. **HiB recommends that all electrical bathroom products should only be fitted by a suitably qualified, Part P registered electrician.**



**WEEE compliance**  
Must not be mixed with general household waste