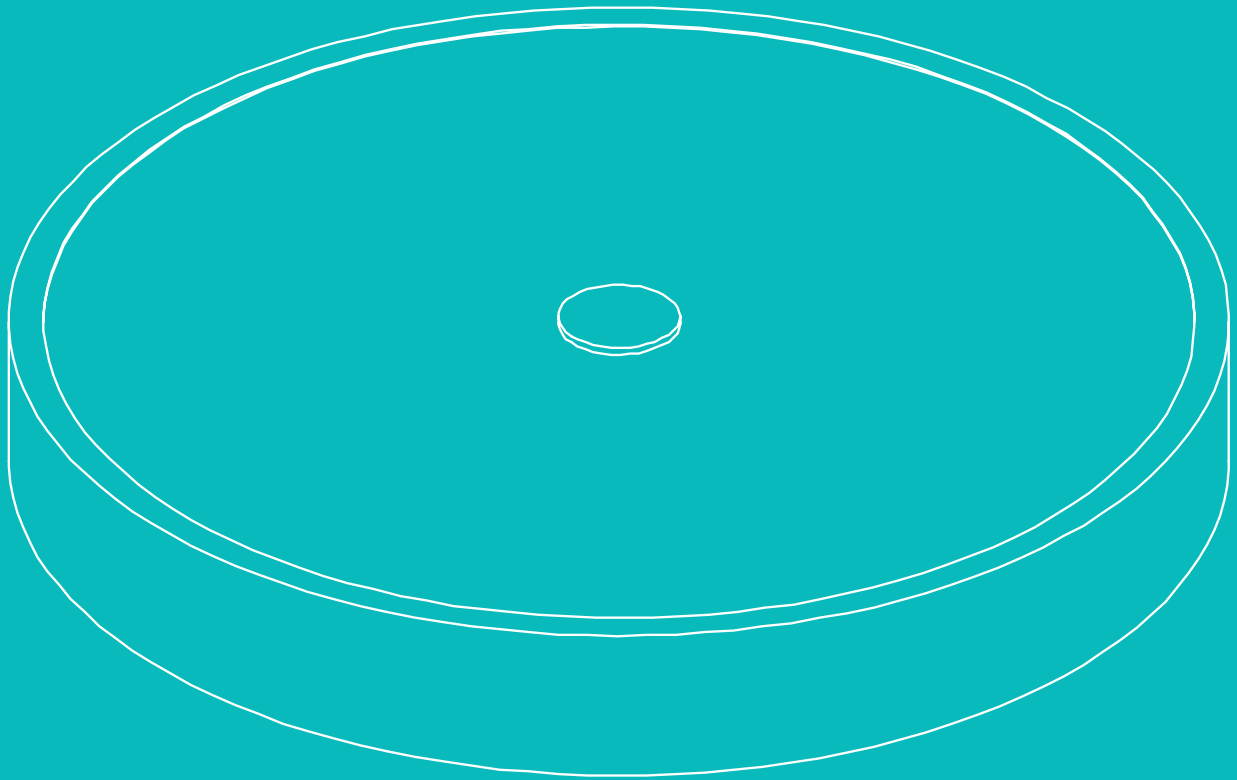


HiB

MAKING
BATHROOMS
BEAUTIFUL

**Technical Drawing &
FAQ Data Sheets**

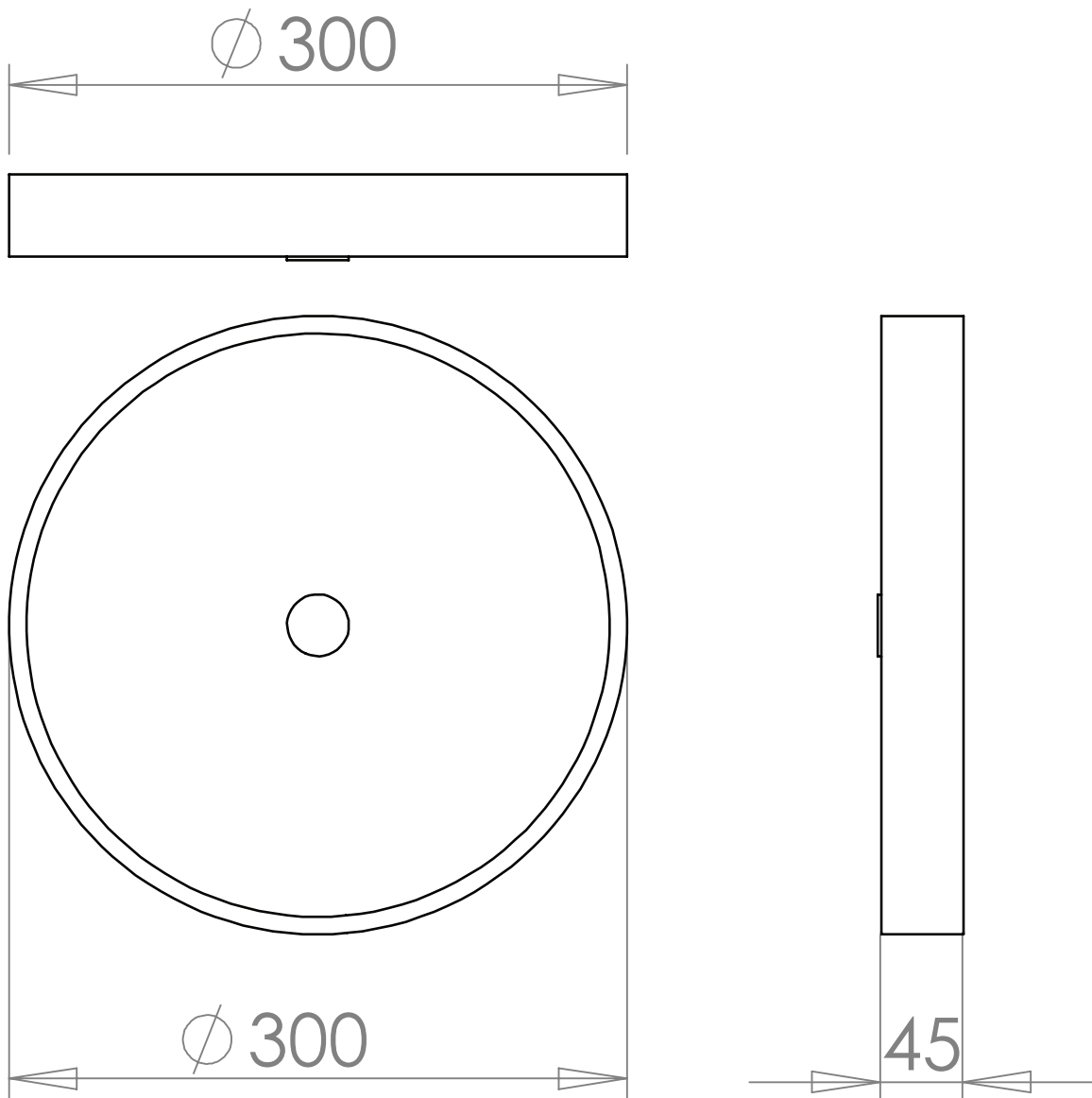


Lumen Ceiling Light

HiB recommend you receive the product before commencing with installation as all sizes and measurements are approximate.
HiB try and ensure all measurements are as accurate as possible.
In the interest of continuous product development, HiB reserves the right to alter specification as necessary. E & OE.

Lumen

Art no. 0740




Electrical Safety Information

HiB recommends that all electrical bathroom products should only be fitted by a suitably qualified, Part P registered electrician in accordance with current IEE regulations.

Ensure mains power supply is switched off before starting installation.

Before drilling, ensure there are no hidden cables or pipes in the wall.

Lumen Ceiling Light

		Version No. 29.02.18
	Product	Lumen Ceiling Light
	Art. No.	0740
	Product Description	Ceiling mounted IP44 light with cool white LED illumination

Question	Answer
Nett weight (kg)	Nett: 1.54kg Gross: 2.02kg
Light source	LED
Light source average lifespan	Average: 20,000 hr
Total rated wattage (W)	18w
Lumens (Lm)	1094lm
Kelvins (k)	4000k
Is the ceiling light dimmable?	No
Energy rating	Class A
Does the ceiling light require an earth connection?	Yes
Is the ceiling light cool white or warm white illumination?	The ceiling light is cool white illumination only
What IP rating is the ceiling light?	The ceiling light is IP44 rated
How long is the warranty?	2 years from date of purchase on electrical components in the ceiling light

Electrical Safety Information

HiB recommends that all electrical bathroom products should only be fitted by a suitably qualified, Part P registered electrician in accordance with current IEE regulations.

Ensure mains power supply is switched off before starting installation.

Before drilling, ensure there are no hidden cables or pipes in the wall.

HiB recommend you receive the product before commencing with installation as all sizes and measurements are approximate.

HiB try and ensure all measurements are as accurate as possible.

In the interest of continuous product development, HiB reserves the right to alter specification as necessary. E & OE.

T: +44 (0)20 8441 0352 F: +44 (0)208441 0219 E: sales@hib.co.uk W: hib.co.uk

HiB Ltd. Building 3, North London Business Park, Oakleigh Road South, New Southgate, London. N11 1GN