

Installation Guide

Fixed panel Bath screen

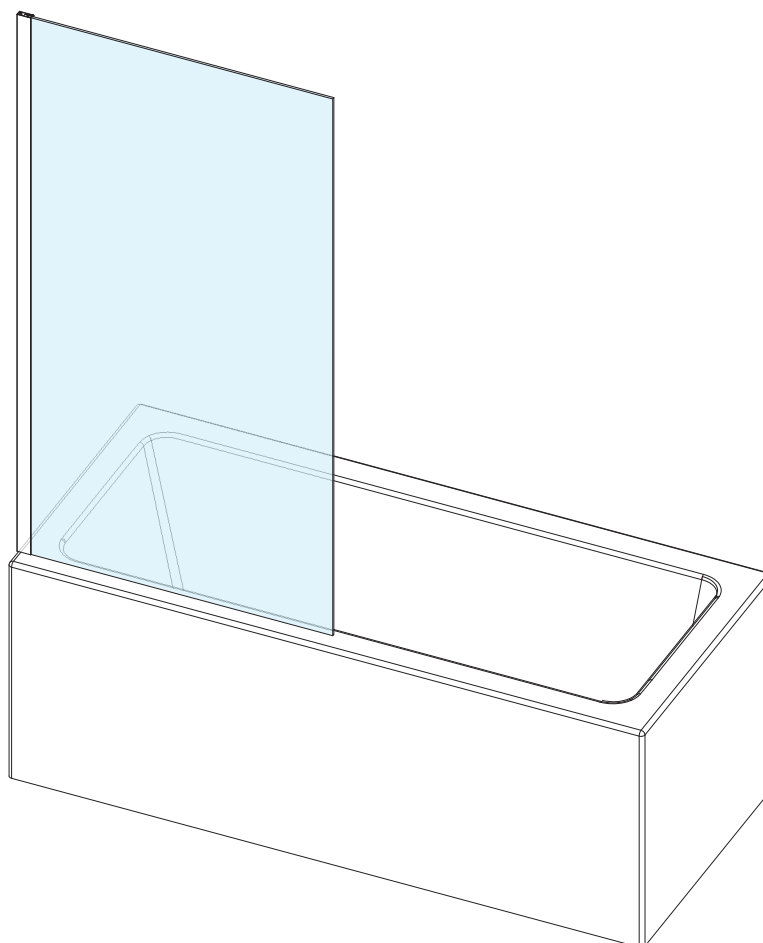
IMPORTANT
Please read the complete instructions
before commencing fitting.

Do Not attempt to install the product unless you can tick all 4 boxes satisfactorily

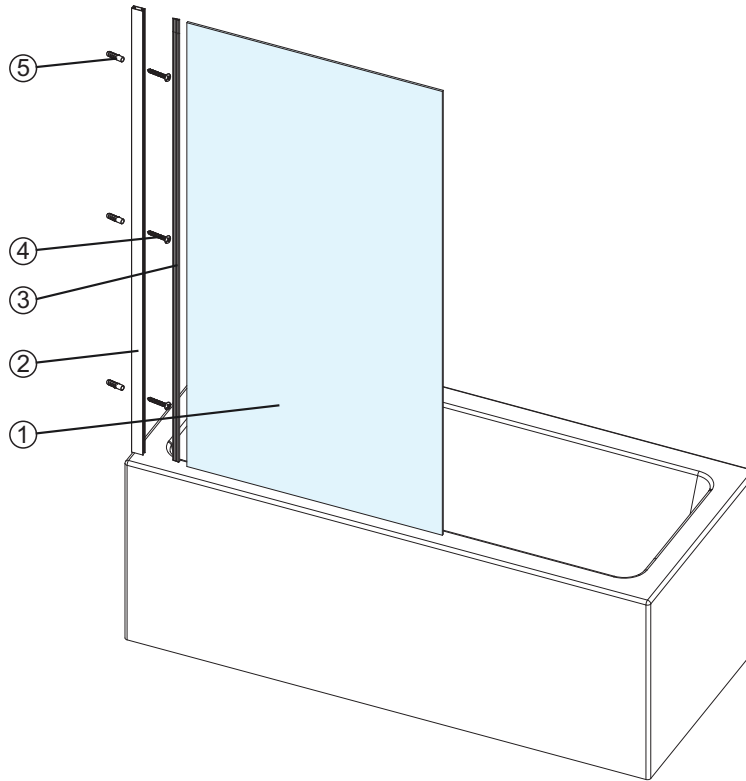
- Check that you have the tools required
- Check the installation site is compatible with the sizes of door supplied
- Check all the enclosure components are present
- Check the installation kit is complete

The wall plugs supplied with the installation kit are for use in solid walls. Hollow or 'stud partition' walls will require alternative fixings. Please consult a hardware supplier for the correct type. It may also be necessary to consult your tiling supplier about the correct method for drilling your tiles

**ATTENTION: TAKE EXTREME CARE WHEN HANDLING GLASS.
WEAR PROTECTIVE EYEWEAR AND CLOTHING.
DO NOT LEAVE THE GLASS ON HARD SURFACES AND AVOID
CONTACT BETWEEN THE GLASS EDGES AND HARD SURFACES OR
IMPACTS DURING THE INSTALLATION**



COMPONENTS AND BOX CONTENTS

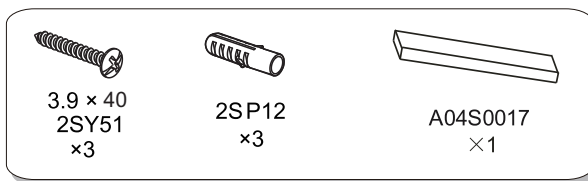


No.	Description	Qty	Part No.	No.	Description	Qty	Part No.
1	Fixed panel	1	A	4	Screw (3.9x40mm)	3	2SY51
2	wall profile	1	SP0MBS11	5	Wall plug	3	2SP12
3	clear seal	1	SP0MOBY020				

FIXING KIT COMPONENTS, TOOLS REQUIRED, SITE CONDITIONS

Fixing Kit components

parts shown are not to scale



Tools required

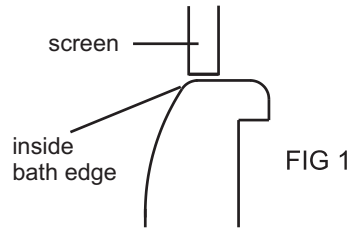
- 6mm Masonry drill bit
- Power drill
- Quality silicone
- Pencil
- Tape measure
- #2 Phillips head screw driver
- Spirit level with horizontal and vertical level indicators

IMPORTANT - Installation Site

1. Ensure your bath is level before fitting. This screen is not designed to fit on baths with stepped fronts, roll top rims or integral soap dishes.
2. The tiling or other wall finishing should be effectively sealed at the bath edges.

INSTALLATION

1. Position the wall profile SP0MBS11 so the fixed panel A sits on the inside edge of the bath. Fig 1



2. INSTALLATION

Plumb the wall profiles SP0MBS11 using the vertical element of the spirit level. Mark 3 holes, drill with 6mm masonry bit and fit wall plugs 2SP12. Using the 3 Screw 2SY51, fix wall profile to wall. Fig 2.

3. Insert glass panel into the wall profile. Note: Max. adjustment of the glass panel in the wall profile is 15mm. Fig 3

4. Insert wedge gasket to the inside of the wall profile using SP0MOBY020. Start at the bottom, pushing the seal in fully. Fig 4

FIG 2

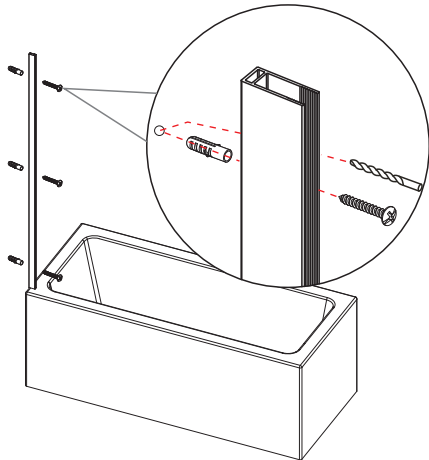


FIG 3

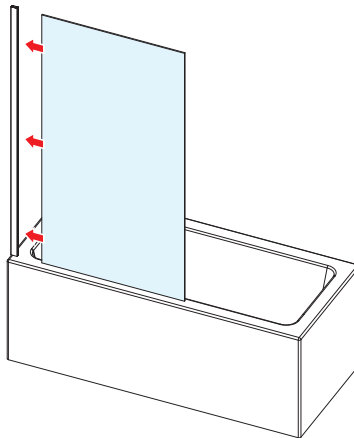
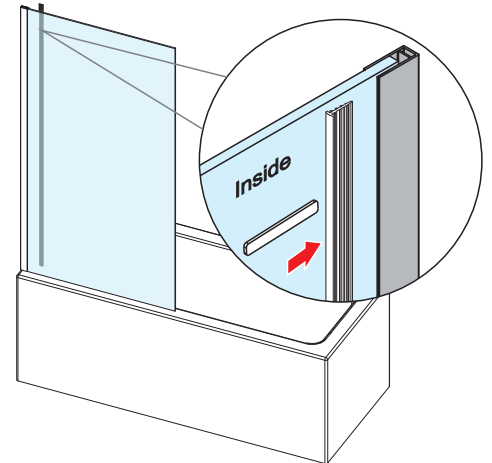


FIG 4

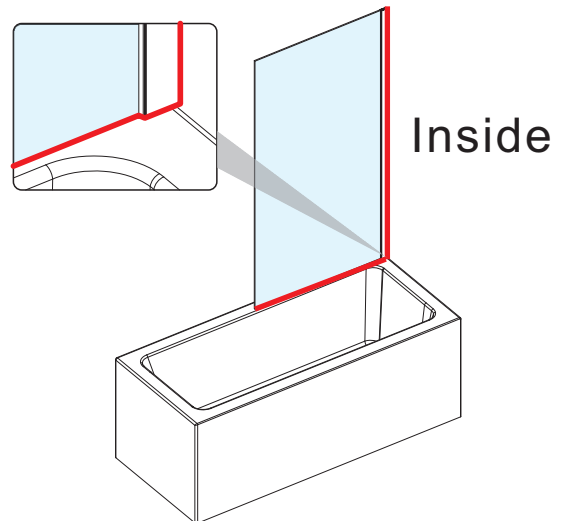
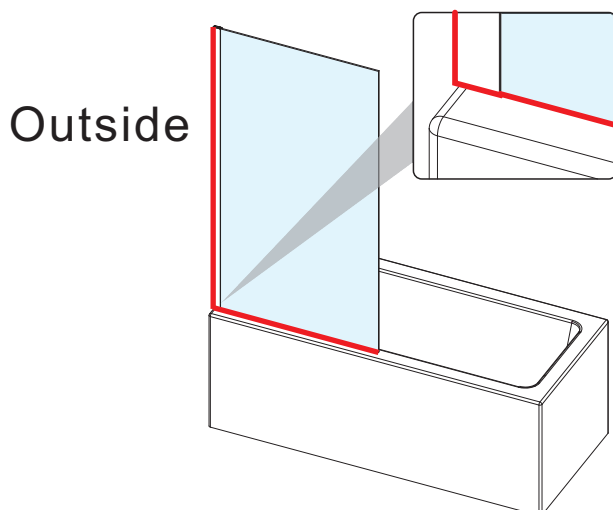


5. **Inside (dashed line):**

When installation is complete seal the joint between the wall profile and the wall, top to bottom on the inside only. **DO NOT SEAL** where the wall profile sits on the Bath.

Outside (full line)

From outside the screen, **SEAL** where the wall profile and hinge bracket sit on the bath. Seal 50mm up where the wall profile meets the wall and where the hinge upright and the wall profile over lap.





Merlyn Industries Ltd (MER14)	
2019	
EN 14428	
Shower enclosures with aluminium profiles and safety glass	
Cleanability	: Pass
Impact resistance/ shatter properties	: Pass
Durability	: Pass