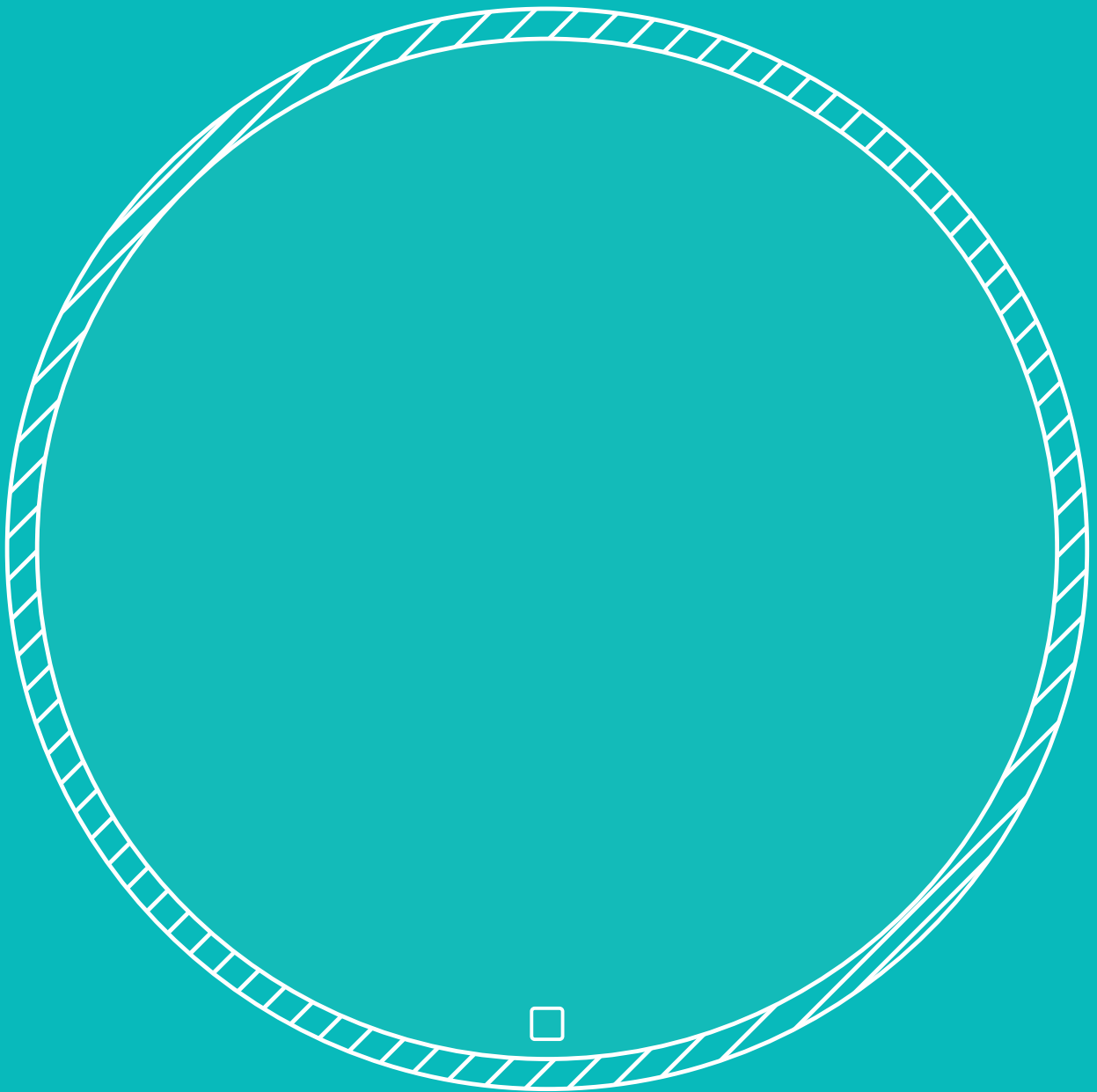


HiB

MAKING
BATHROOMS
BEAUTIFUL

**Technical Drawing &
FAQ Data Sheets**

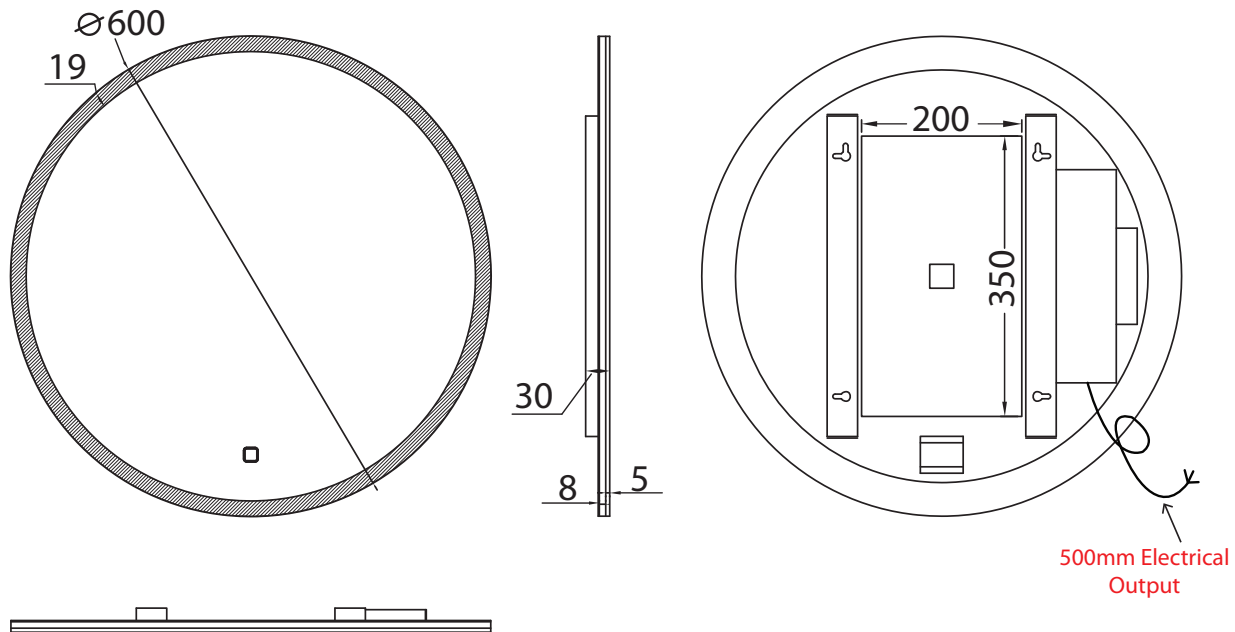


**Sphere 60
Sphere 80**

HiB recommend you receive the product before commencing with installation as all sizes and measurements are approximate.
HiB try and ensure all measurements are as accurate as possible.
In the interest of continuous product development, HiB reserves the right to alter specification as necessary. E & OE.

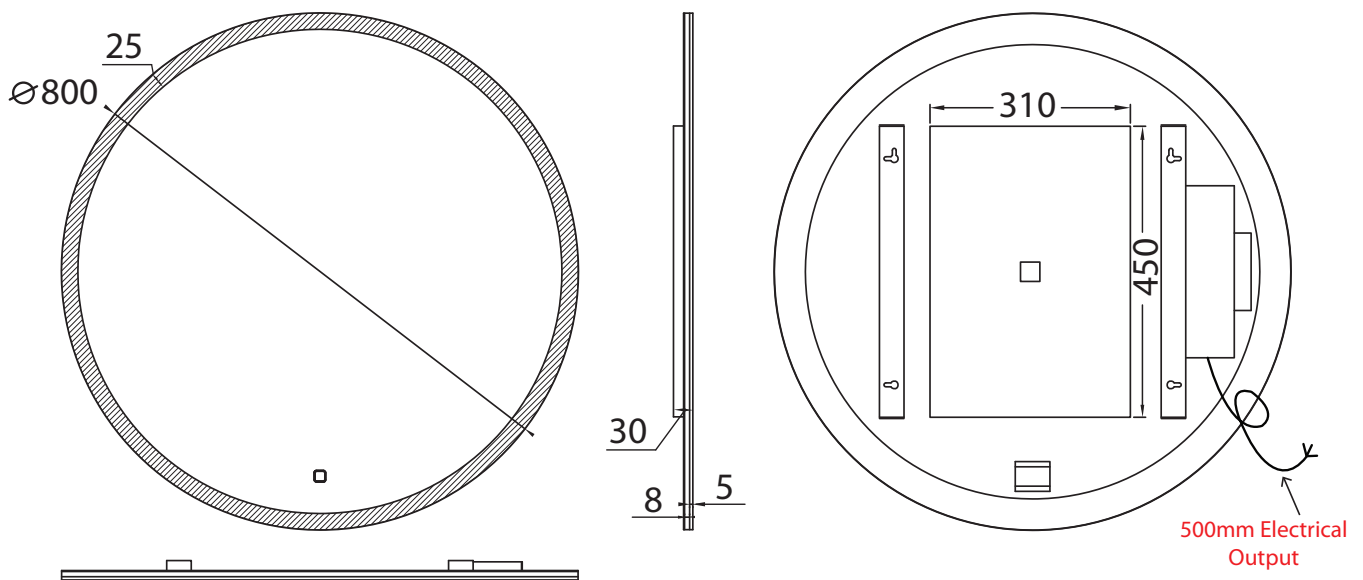
Sphere 60

Art no. 78760000



Sphere 80

Art no. 78761000




Electrical Safety Information

HiB recommends that all electrical bathroom products should only be fitted by a suitably qualified, Part P registered electrician in accordance with current IEE regulations.

- 2 Ensure mains power supply is switched off before starting installation.
Before drilling, ensure there are no hidden cables or pipes in the wall.

Sphere 60 & 80

| | | Version No. 04.10.21 |
|---|---------------------|--|
|  | Product | Sphere 60 & Sphere 80 |
| | Art. No. | Sphere 60: 78760000 & Sphere 80: 78761000 |
| | Product Description | Round mirror with LED colour temperature changing lighting with a acrylic edge diffuser with steam free feature. |

| Question | Answer |
|--|--|
| Nett weight (kg) | Sphere 60: 5kg / Sphere 80: 8.5kg |
| Light Source | LED |
| Light Source Average Lifespan | Average: 20,000hrs |
| Total Rated Wattage (W) | Sphere 60: 32.5w / Sphere80: 56w |
| Lumens (Lm) | Sphere 60: 1224lm / Sphere 80: 1656lm |
| Kelvins (k) | Sphere 60 & 80: 2700k - 6400k |
| Is the mirror dimmable? | No |
| Energy Rating | E |
| Is the heated pad only on when the mirror is illuminated? | Yes |
| Does the mirror require an earth connection? | Yes |
| Can I bypass the sensor so the mirror comes on with the main room light? | No |
| Is it cool white or warm white illumination? | Both - the mirror is colour temperature changing |
| What IP rating is the mirror? | All Sphere mirrors are IP44 rated |
| Is the touch switch light on the mirror always on? | No |
| How long is the warranty? | 5 years from date of purchase on silvering coating on mirror 2 years from date of purchase on electrical components in the mirror |
| | |

HiB recommend you receive the product before commencing with installation as all sizes and measurements are approximate. HiB try and ensure all measurements are as accurate as possible. In the interest of continuous product development, HiB reserves the right to alter specification as necessary. E & OE.

Electrical Safety Information

HiB recommends that all electrical bathroom products should only be fitted by a suitably qualified, Part P registered electrician in accordance with current IEE regulations.

Ensure mains power supply is switched off before starting installation.

Before drilling, ensure there are no hidden cables or pipes in the wall.