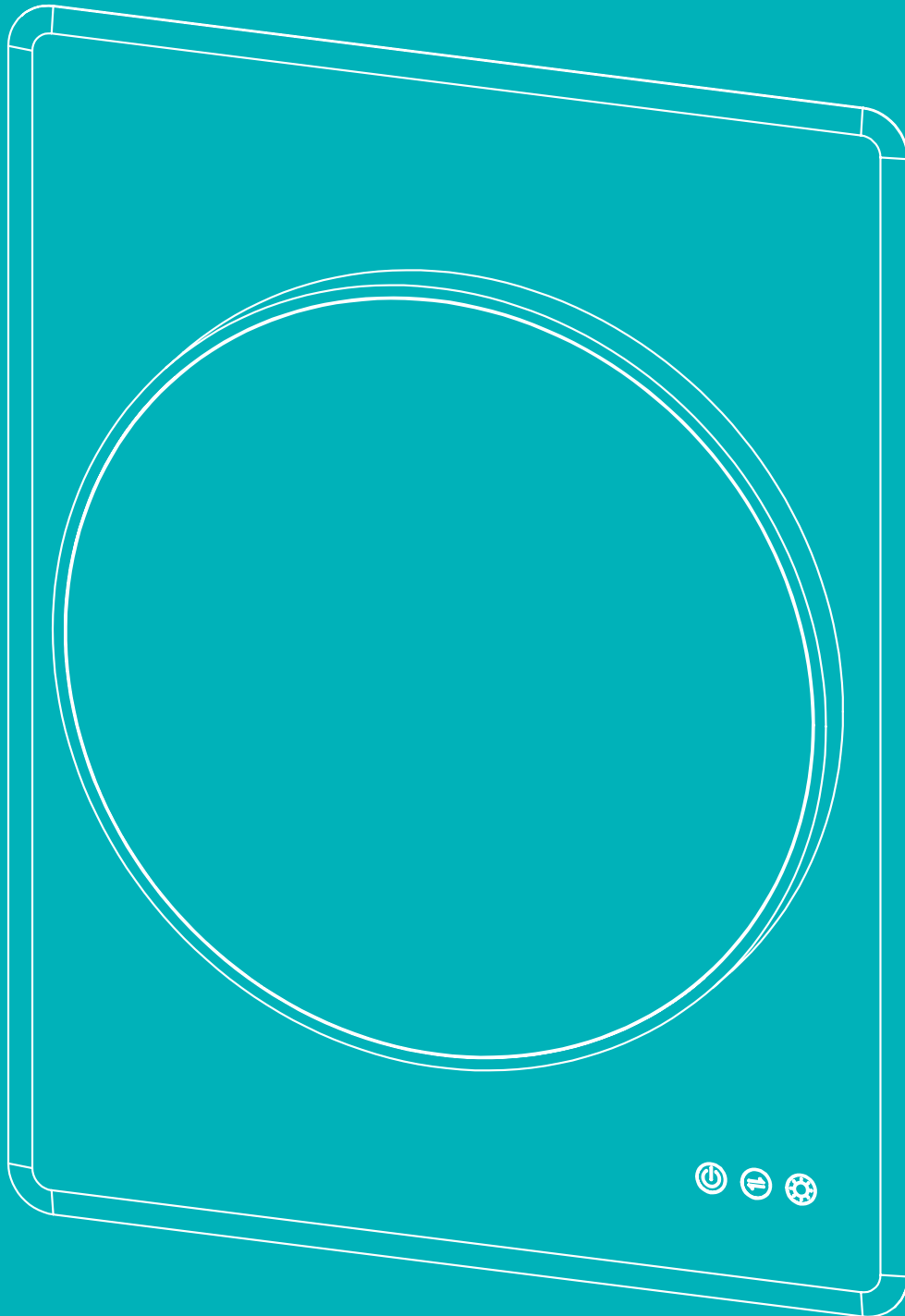


HiB

MAKING
BATHROOMS
BEAUTIFUL

**Technical Drawing &
FAQ Data Sheets**

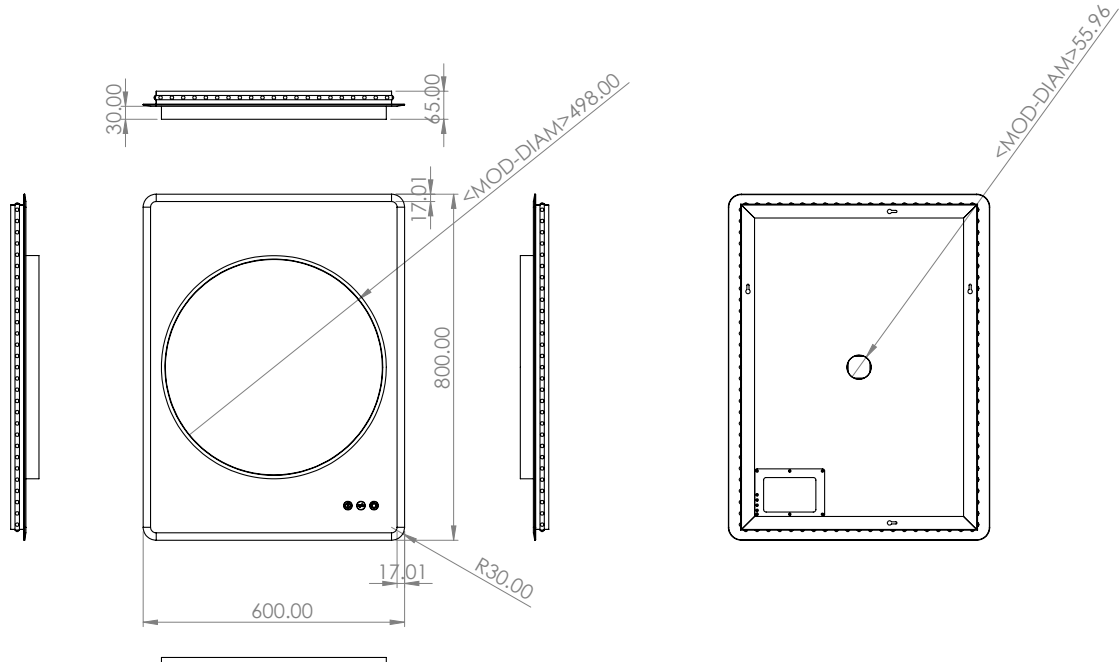


**Frontier 60
Frontier 70**

HiB recommend you receive the product before commencing with installation as all sizes and measurements are approximate.
HiB try and ensure all measurements are as accurate as possible.
In the interest of continuous product development, HiB reserves the right to alter specification as necessary. E & OE.

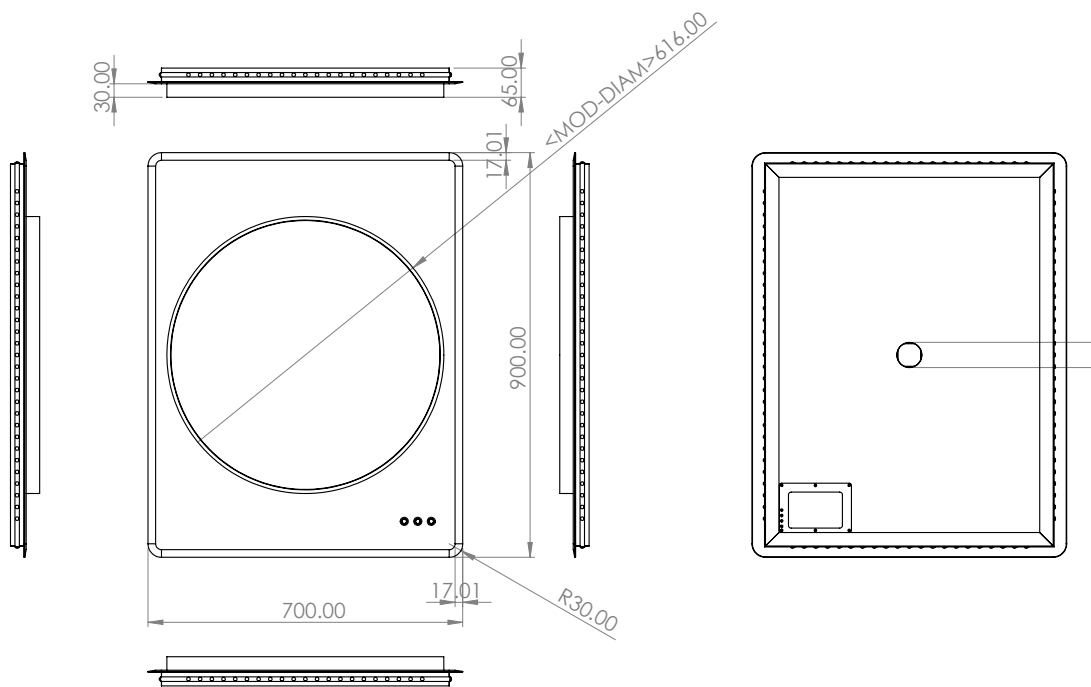
Frontier 60

Art no. 78725000



Frontier 70

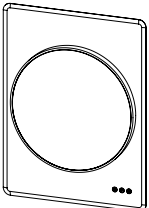
Art no. 78726000



Electrical Safety Information

HiB recommends that all electrical bathroom products should only be fitted by a suitably qualified, Part P registered electrician in accordance with current IEE regulations.

- Ensure mains power supply is switched off before starting installation.
- Before drilling, ensure there are no hidden cables or pipes in the wall.

		Version No. 04.10.21
	Product	Frontier 60 & Frontier 70
	Art. No.	Frontier 60: 78725000 / Frontier 70: 78726000
	Product Description	LED illuminated mirror.

Question	Answer
Nett weight (kg)	Frontier 60: 7kg / Frontier 70: 8.5kg
Light Source	LED
Light Source Average Lifespan	Average: 50,000 hr
Total Rated Wattage (W)	Frontier 60: 68w / Frontier 70: 92.2kg
Lumens (Lm)	Frontier 60: 4212lm / Frontier 70: 5148lm
Kelvins (k)	Frontier 60 & 70: 2700 - 6400k
Is the mirror dimmable?	Yes
Energy Rating	E
What orientation can the mirror be hung in?	All Frontier mirrors can be hung portrait OR landscape
Is the heated pad only on when the mirror is illuminated?	Yes
Does the mirror require an earth connection?	No
Can I bypass the sensor so the mirror comes on with the main room light?	No
Is it cool white or warm white illumination?	Both, the mirror is colour temperature changing
How long is the warranty?	5 years from date of purchase on silvering coating on mirror 2 years from date of purchase on electrical components in the mirror

Electrical Safety Information

HiB recommends that all electrical bathroom products should only be fitted by a suitably qualified, Part P registered electrician in accordance with current IEE regulations.

Ensure mains power supply is switched off before starting installation.

Before drilling, ensure there are no hidden cables or pipes in the wall.

HiB recommend you receive the product before commencing with installation as all sizes and measurements are approximate.

HiB try and ensure all measurements are as accurate as possible.

In the interest of continuous product development, HiB reserves the right to alter specification as necessary. E & OE.