

## AFTERCARE INSTRUCTIONS

Your fitting has a high quality finish and should be treated with care to preserve the visible surfaces.

All surface finishes will wear if not cleaned correctly, the only safe way to clean your

mixer is to wipe with a soft damp cloth. Stains can be removed using washing up liquid. All bath cleaning powders and liquids will damage the surface of your fitting, even the non-scratch cleaners. **NOTE: Never use abrasive detergents or disinfectants or those containing alcohol, hydrochloric acid or phosphoric acid.**

### **Bristan Guarantee**

At Bristan, we want to make things as easy as possible for our customers. That's why we offer solid guarantees on all our products, effective from the date of purchase, to give you peace of mind.

To start your free guarantee, simply scan the QR code and register your product.

Alternatively, visit [www.bristan.com/register](http://www.bristan.com/register) to register your product via a computer.

For full guarantee terms and conditions visit, [www.bristan.com/guarantees](http://www.bristan.com/guarantees)



*We Know & We Care*

### **TELEPHONE HELPLINE: 0330 026 6273**

Bristan Group Limited

UK: Bristan Group

B78 1SG

EU: Masco Group S.à.r.l

14 Rue Strachen

6933 Mensdorf

Luxembourg

# BRISTAN

## **Basin and Bath Taps**

## **Fitting Instructions**



Before starting any installation project, consider 'safety' first. Look for the 'safety note' and read the safety advice.

**Please keep these instructions for future reference and request of replacement part**

## WATER PRESSURE

These taps are suitable for use at all supply pressures.

### **Operating Pressures: Min 0.2 bar, Max 5.0**

If the taps are installed at low pressure (tank fed), then the minimum height from the outlet of the nozzle to the underside of the cold tank should be approximately 2 metres to ensure adequate performance.

These taps should be installed in compliance with Water Regulations. For further details contact your Local Water Authority.

### **IMPORTANT - PLEASE READ**

This fitting needs to be installed in accordance with the following Installation Requirements and Notes (IRN) to ensure they meet the requirements of the Water Supply (Water Fittings) Regulations 1999 and the Scottish Byelaws 2004.

#### **IRN R001**

See text of entry for Installation Requirements or Notes.

#### **IRN R005**

This tap or combination tap assembly has a Type AUK2 air gap and is therefore only suitable for installation in domestic premises or in other premises to protect against a backflow risk up to a Fluid Category 3, unless additional backflow protection for the higher risk is included in the installation.

## INSTALLATION

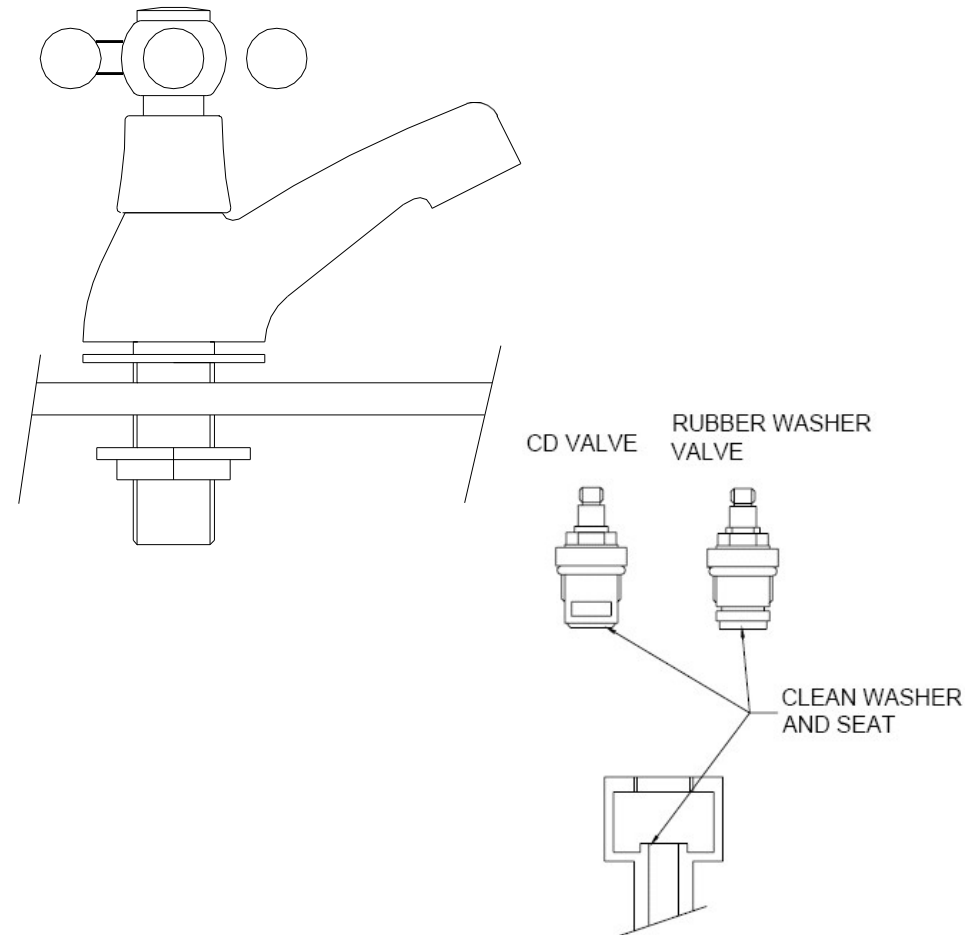
1. Identify all components and check for completeness, particularly before commencing installations.
2. Install the taps into the basin, bath or sink, using the washers and backnuts provided. For those products using handles purchased separately, it may be necessary to disassemble the handles
3. Connect the hot and cold water supplies.
4. Turn on the water supplies. Open both taps letting the water flow for a few minutes to check all joints and connections for leaks.
5. See back page for aftercare instructions.

## **MAINTENANCE**

**All valve types:** - If the fitting begins to drip

1. Turn off the water supply.
2. Remove fitting head and valve.
3. Carefully clean seating and rubber washer.
4. Replace valve and turn on the water supply.
5. Contact our helpline quoting product code if problem persists.

**\* PLEASE NOTE: TAP HEADS SHOWN ARE FOR ILLUSTRATION PURPOSES ONLY.**



**Please Note:** In the unlikely event you find a part missing please contact our Customer Service Help line on **0330 026 6273** for immediate dispatch of part.