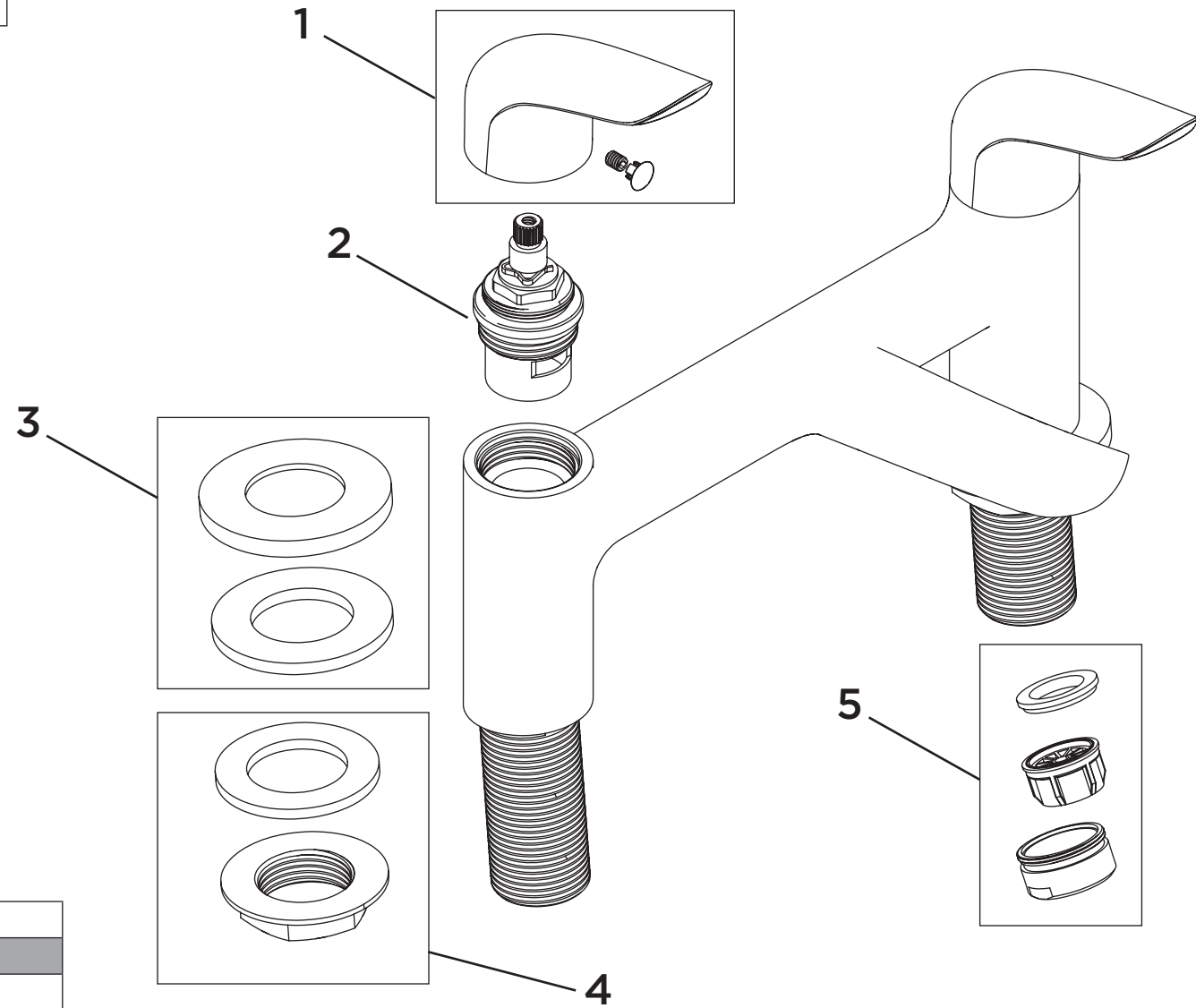


Product Code: AST BF C**Revision:** D1

1	Handle Assembly
2	Standard Valve
3	Plinth and Washer
4	Backnut and Washer
5	M24 Flow Straightener