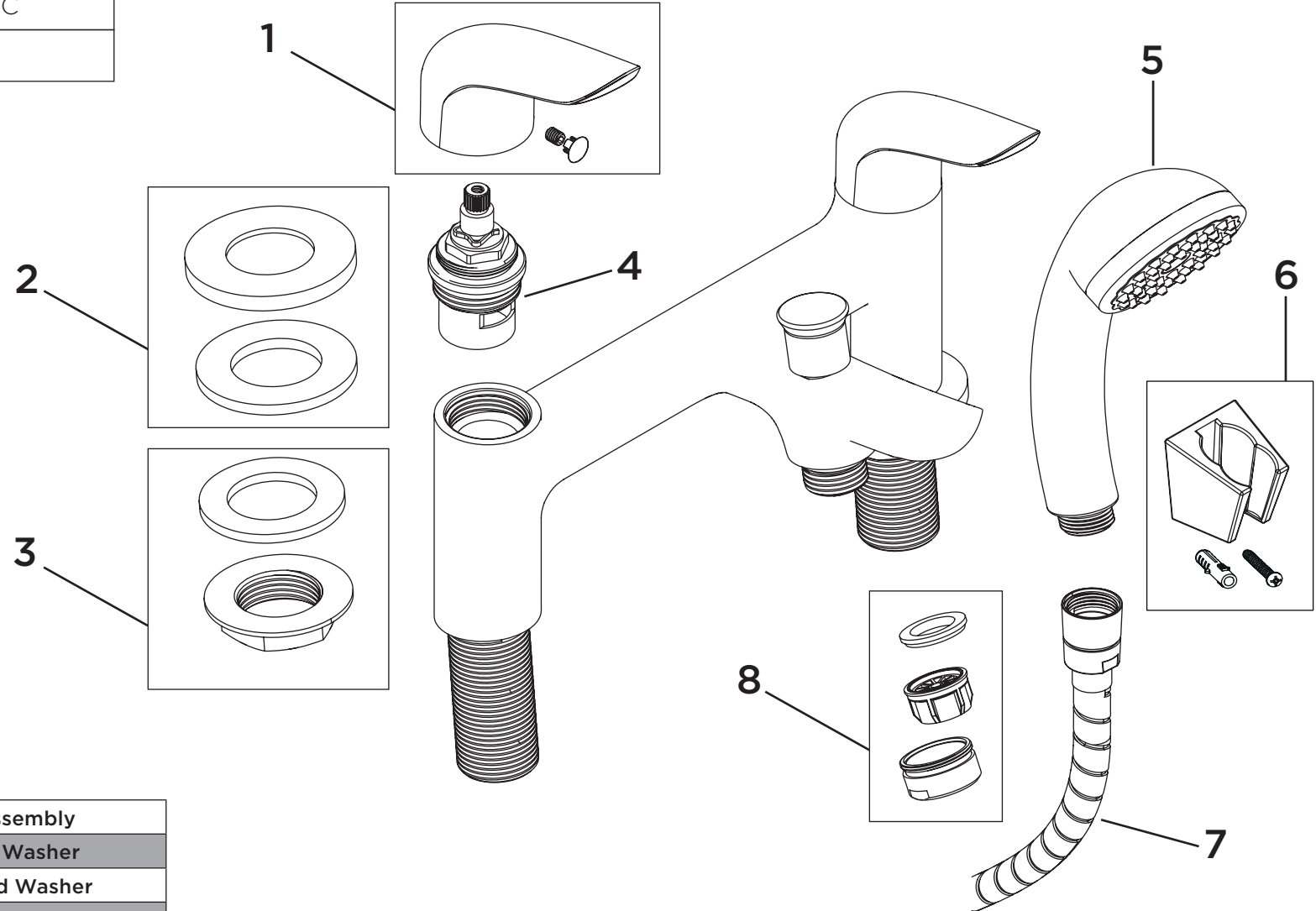


Product Code: AST BSM C**Revision:** D1

1	Handle Assembly
2	Plinth and Washer
3	Backnut and Washer
4	Standard Valve
5	Handset
6	Wall Bracket and Fixings
7	1.5m Hose
8	M24 Flow Straightener