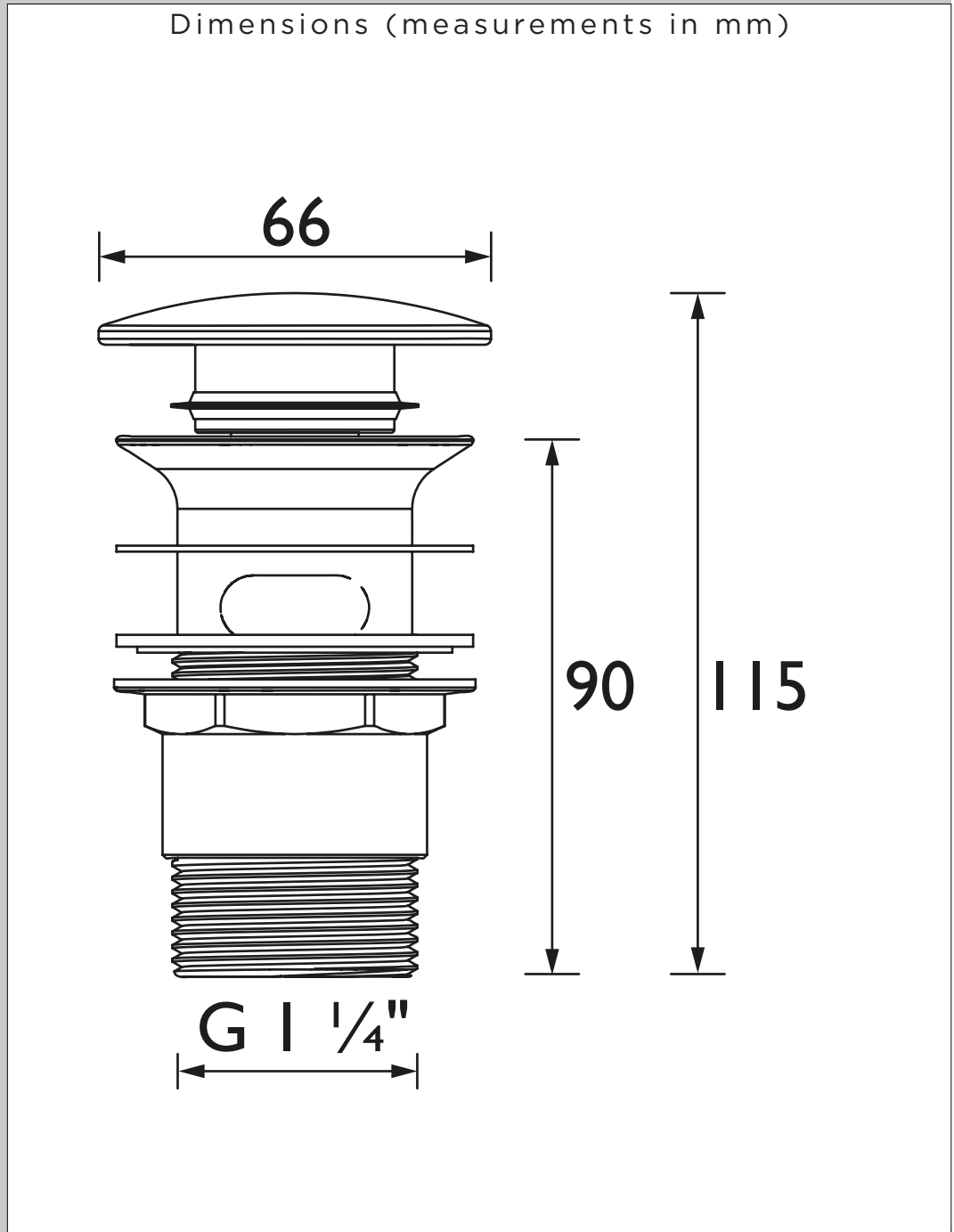


W BASIN16 C

Wastes Basin Clicker Waste Slotted Chrome



Specification	
Contemporary or Traditional:	Contemporary
Main Construction Material:	Brass
Connection Inlet:	G 1 1/4"
Waste Flow Rate (litres per minute):	38
What's in the Box?:	1x Waste Body, 1x Metal Fixing Nut , 1x Clicker Mechanism, 1x Rubber Washer, 1x Grooved Washer.



Features:

- Anti-stick clicker mechanism for ease of use.
- Slotted waste allows water from the overflow to be drained, whether the waste is open or closed.
- Supplied with metal fixing nuts for added durability and security.

Product Certifications:



WRAS Certificate No: 1911911
WRAS Expiry Date: 30/11/2024

Compliant to BS EN 274

For more products, visit our website:
<http://www.bristan.com>



TECHNICAL
DATA
SHEET



BRISTAN

D2