

W BASIN17 C

Wastes Basin Clicker Waste Unslotted Chrome



Specification

Contemporary or Traditional:	Contemporary
Main Construction Material:	Brass
Connection Inlet:	G 1 1/4"
Waste Flow Rate (litres per minute):	38.4
What's in the Box?:	1x Unslotted Waste Body, 1x Metal Backnut, 1x Clicker Mechanism, 1x Rubber Washer, 1x Grooved Washer

Features:

- Solid brass construction
- Metal back nut for added durability
- Anti-stick clicker mechanism for ease of use.

Product Certifications:

Compliant to BS EN 274

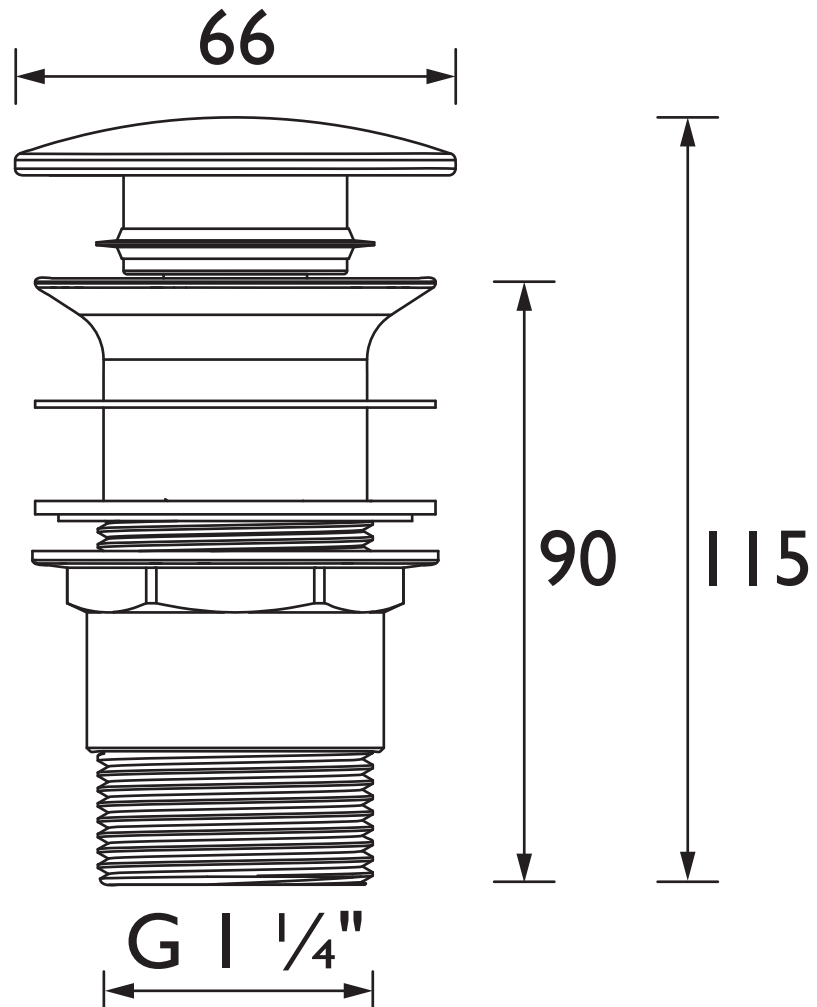
Variant SKUs:

- W BASIN1 C

For more products, visit our website:
<http://www.bristan.com>



Dimensions (measurements in mm)



TECHNICAL
DATA
SHEET



BRISTAN

D2