

CLI 3/4 C

CLIO Tap Range Clio Bath Taps Chrome



Features:

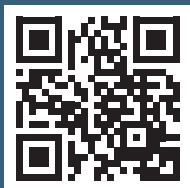
- Long life and easy to use 1/4 turn ceramic disc valves
- Metal back nuts for added durability
- 3/4" Valve

Product Certifications:



WRAS Certificate No: 2112901
WRAS Expiry Date: 31/12/2026

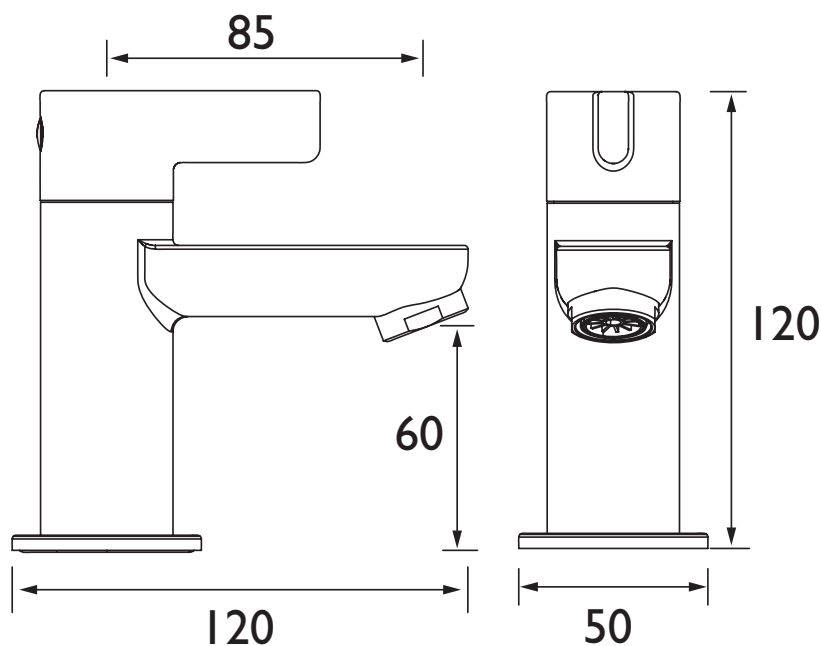
For more products, visit our website:
<http://www.bristan.com>



Specification

Product Type:	Bathroom Taps
Main Construction Material:	Brass
Mount Type:	Deck
Handle Type:	Lever
Connection Inlet:	3/4" BSP
Connection Outlet:	Flow Regulator
Number of Tap Holes:	2
Valve/Cartridge Type:	3/4" Ceramic Disc Valve
Plumbing System Requirements:	Suitable for all plumbing systems
Minimum Dynamic Pressure (bar):	0.2 bar
Maximum Dynamic Pressure (bar):	5.0 bar
Maximum Hot Water Temperature °C:	65°C
Maximum Static Pressure (bar):	10 bar
Isolation Included:	No

Dimensions (measurements in mm)



Flow Rates (l/min)

System Pressure (bar)	0.2	0.5	1	2	3	5
CLI 3/4 C (Cold)	14.7	25.2	35.4	50.6	61.3	79
CLI 3/4 C (Hot)	13.2	20.3	28.9	40.3	49.0	63.0

TECHNICAL DATA SHEET



BRISTAN

D8