

COB 3/4 BLK

COBALT Tap Range Cobalt Bath Taps Black



Features:

- You really can count on Bristan taps as they are designed, engineered and tested to last with our precise glide and secure fix components plus a modern black finish, all under a 10 Year guarantee for peace of mind
- A black finish that will make a statement in any bathroom
- Long life and easy to use 1/4 turn ceramic disc valves
- Supplied with metal fixing nut for added durability and to secure your tap in place
- Easy-to-use lever handles
- Suitable for high and low pressure water systems

Product Certifications:



WRAS Certificate No: 2005910
WRAS Expiry Date: 31/05/2025

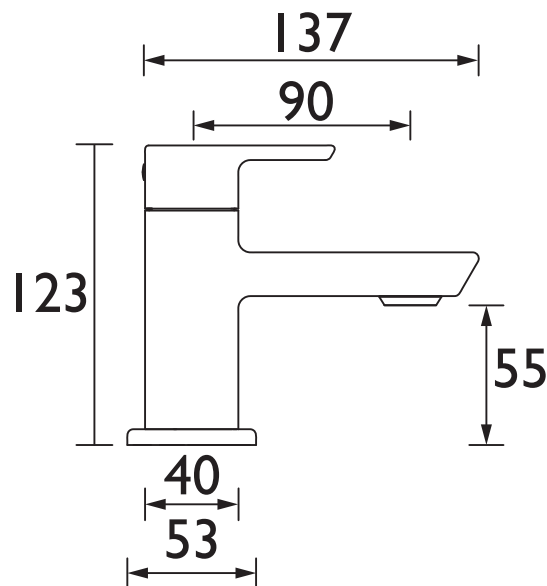
For more products, visit our website:
<http://www.bristan.com>



Specification

Product Type:	Bathroom Taps
Main Construction Material:	Brass
Mount Type:	Deck
Handle Type:	Lever
Connection Inlet:	3/4" BSP
Connection Outlet:	Anti-Splash
Number of Tap Holes:	2
Valve/Cartridge Type:	3/4" Ceramic Disc Valve
Plumbing System Requirements:	Suitable for all plumbing systems
Minimum Dynamic Pressure (bar):	0.2 bar
Maximum Dynamic Pressure (bar):	5.0 bar
Maximum Hot Water Temperature °C:	65°C
Maximum Static Pressure (bar):	10 bar
Isolation Included:	No

Dimensions (measurements in mm)



Flow Rates (l/min)

System Pressure (bar)	0.2	0.5	1	2	3	5
COB 3/4 BLK (Cold)	18.9	28.1	40	50.2	63	79.4
COB 3/4 BLK (Hot)	18.9	28.1	40	50.2	63	79.4

TECHNICAL DATA SHEET



BRISTAN

D2