

# J SMBAS C

## JAVA Tap Range Java Small Basin Mixer with Clicker Waste Chrome

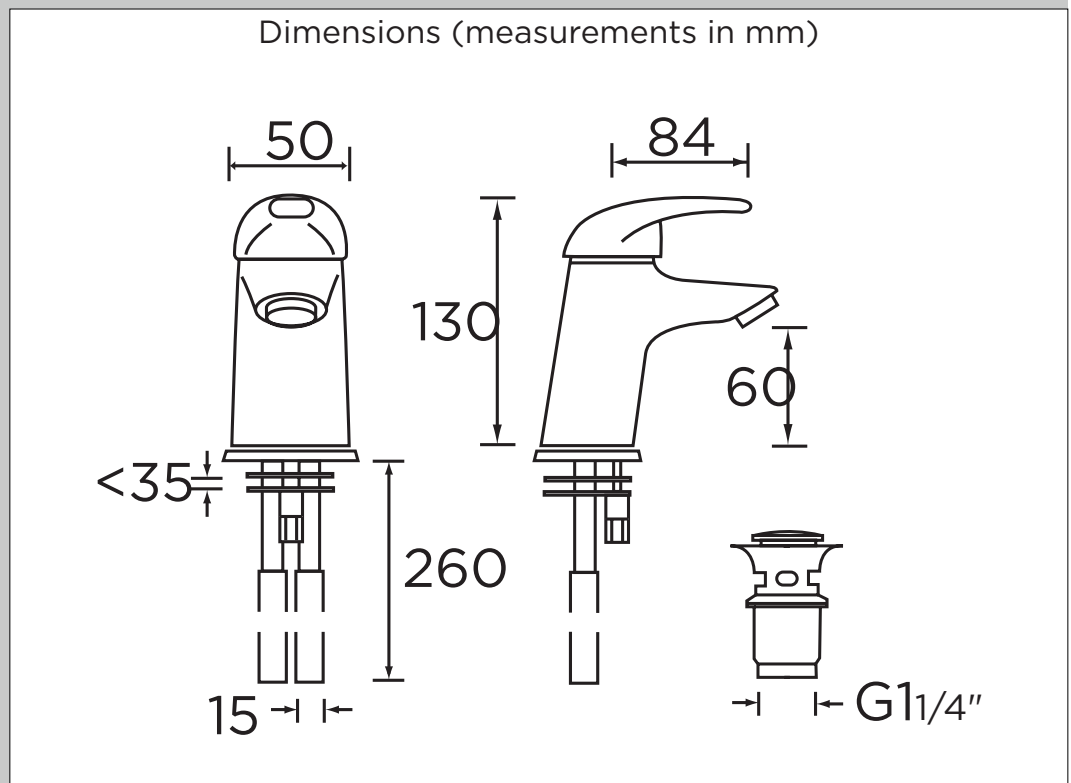


Specification	
Style:	Contemporary
Product Type:	Bathroom Taps
Finish/Colour:	Chrome
Main Construction Material:	Brass
Mount Type:	Deck Mounted
Handle Type:	Single Lever
Connection Inlet:	M10 x 15mm Screw-n Copper Tails
Number of Tap Holes Required:	1
Valve/Cartridge Type:	35mm Ceramic Cartridge
Plumbing System Suitability	All
Working Pressure Range:	Min. 0.2 bar, Max. 5.0 bar
Maximum Hot Water Temperature: °c	65
Maximum Dynamic Pressure: (bar)	5
Maximum Static Pressure: (bar)	10
Flow Type:	Single
Flow Rate: (l/min @ 3 bar)	19.7
Connection Outlet:	M24 Flow Straightener
Isolation Included:	No

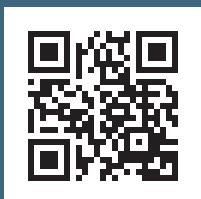
### Features:

- Brass construction
- Ceramic disc cartridge for smooth temperature and flow control
- Easy-to-use lever handle
- Metal fixing nut for added durability

### Product Certifications:



For more products, visit our website:



Flow Rates (l/min)						
System Pressure (bar)	0.2	0.5	1	2	3	5
J SMBAS C	4.5	7.8	11.3	16	19.7	25.6

TECHNICAL  
DATA  
SHEET



**BRISTAN**  
TAPS & SHOWERS

D6