

Technical Data Sheet

Ivy 45cm Corner Basin
EC7001

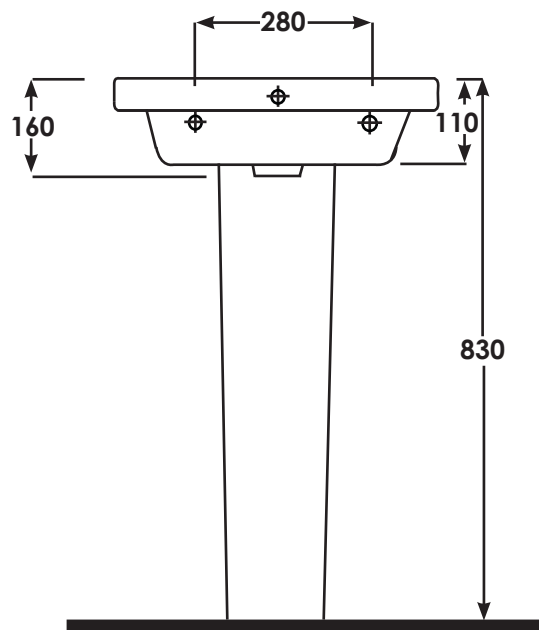
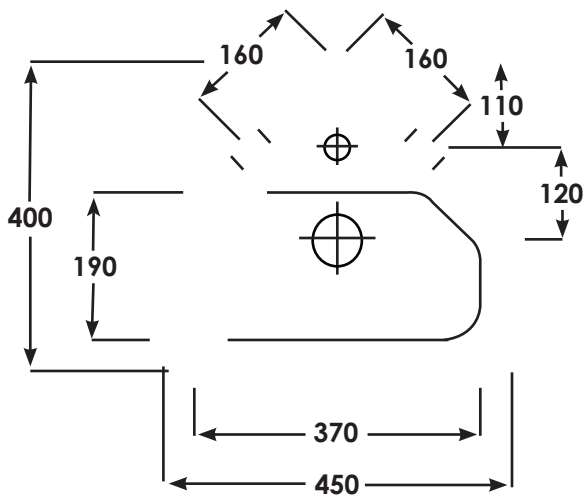
essential
BATHROOMS



Please use the reference codes shown below:

EC7001 Ivy 45cm Corner Basin

SIZE	430 x 400mm
TAP HOLE	Single tap hole
OVER FLOW	Over flow built in
MATERIAL	Vitreous China
WEIGHT	18.20 kg
COLOURS	Alpine White
FIXING	Fisher fittings supplied for basin



Dimensions: All measurements are in millimeters and are subject to normal manufacturing variations.

Note: Due to a continuing development programme to improve design and performance, the manufacturer reserves all rights to vary specifications without prior informations. Please note accessories are for photographic use only.