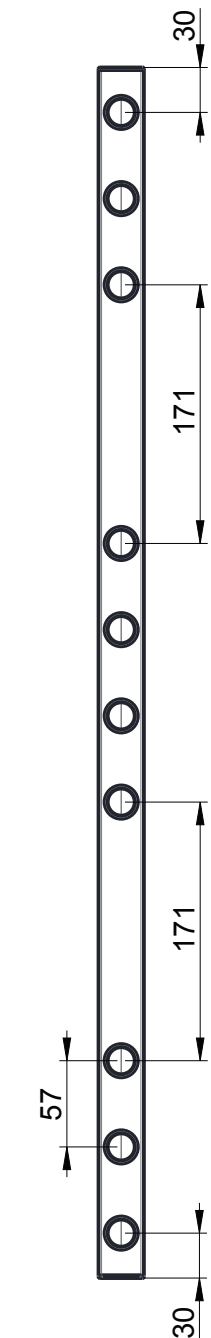
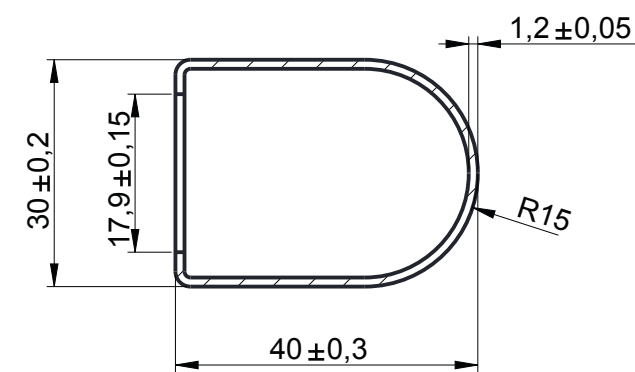


3+4+3=10 Tubes

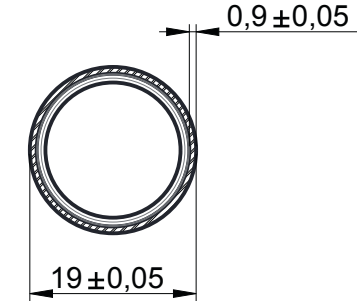


SECTION A-A

Profile Cut



Tube Cut



L	I
500	455

800x500mm - 10 tubes

Chrome: **382867**

Anthracite: **384910**

Date:		Modification:		Code: TREVISO DR h 800
Scale:	Size: A3	General Tolerances: ±0.5 mm	Description: TREVISO straight - h 800	
Material: Steel				

