

# SOLO2-T3SL

## COMMERCIAL Tap Range

Solo2 Basin Mixer with Short Lever (no waste)



### Features:

- Easy to use single sequential control for temperature and flow
- Complies with HTM04-01
- Automatic thermostatic shut-off in the event of hot or cold water failure
- Above basin access to serviceable parts, limiting down time
- Supplied with copper tails
- Supplied with non-return valves fitted

### Product Certifications:



WRAS Certificate No: 2105907  
WRAS Expiry Date: 31/05/2026



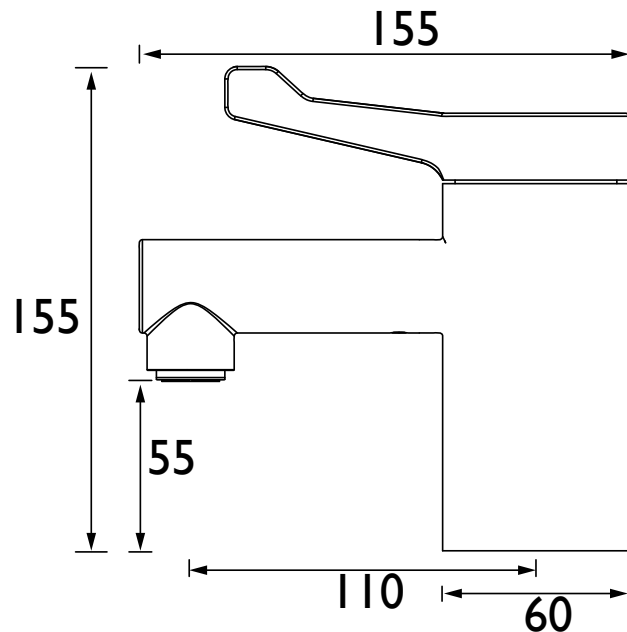
TMV3 Cert. No: NSF2464/0222  
TMV3 Expiry Date: 03/02/2027



### Specification

Product Type:	Commercial
Main Construction Material:	Brass
Mount Type:	Deck
Handle Type:	Lever
Connection Inlet:	15mm Compression Copper Tails
Connection Outlet:	Open or Aerator Options Available
Number of Tap Holes:	1
Valve/Cartridge Type:	Thermostatic Cartridge
Plumbing System Requirements:	Suitable for all plumbing systems, ideally balanced
Minimum Dynamic Pressure (bar):	0.2 bar
Maximum Dynamic Pressure (bar):	5 bar
Maximum Hot Water Temperature °C:	60°C
Maximum Static Pressure (bar):	10 bar
Flow Type:	Single
Isolation Included:	No

### Dimensions (measurements in mm)



### Flow Rates (l/min)

System Pressure (bar)	0.2	0.5	1	2	3	5
SOLO2-T3SL (mixed)	1.1	1.7	2.4	3.3	4.1	5.3

# TECHNICAL DATA SHEET



# BRISTAN

D6