

# IRS BF C

## IRIS Tap Range Iris Bath Filler Chrome



### Features:

- A hard-wearing, flawless chrome finish that lasts for years
- Long life and easy to use 1/4 turn ceramic disc valves
- Supplied with metal fixing nuts to secure your tap in place
- Suitable for high and low pressure water systems
- 5 year guarantee

### Product Certifications:



WRAS Cert. Number: 1909916  
WRAS Expiry Date: 30/09/2024



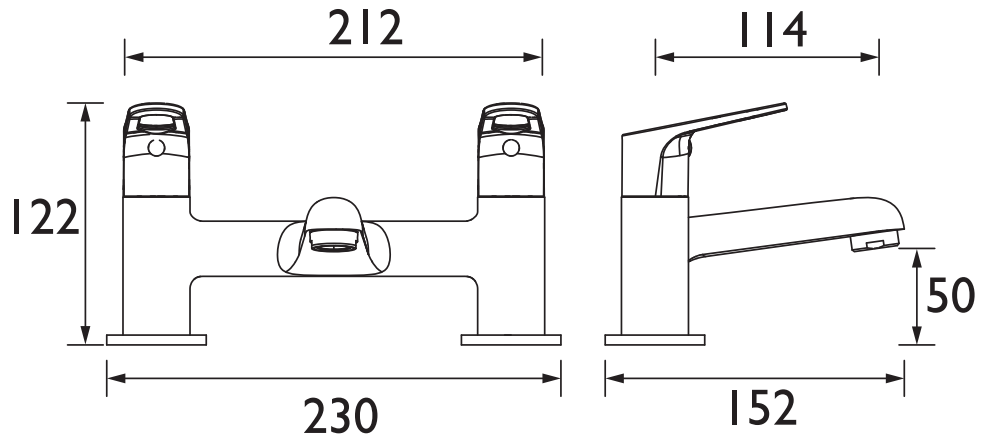
For more products, visit our website:  
<http://www.bristan.com>



### Specification

Product Type:	Bathroom Taps
Main Construction Material:	Brass
Mount Type:	Deck Mounted
Handle Type:	Lever Handles
Connection Inlet:	3/4" BSP
Connection Outlet:	M24 Aerator
Number of Tap Holes:	2
Valve/Cartridge Type:	3/4" Ceramic Disc Valves - 1/4 Turn
Plumbing System Requirements:	Suitable for all plumbing systems
Minimum Dynamic Pressure (bar):	0.2 bar
Maximum Dynamic Pressure (bar):	5.0 bar
Maximum Hot Water Temperature °C:	60°C
Maximum Static Pressure (bar):	10 bar
Flow Type:	Single Flow
Isolation Included:	No

### Dimensions (measurements in mm)



### Flow Rates (l/min)

System Pressure (bar)	0.2	0.5	1	2	3	5
IRS BF C (Mixed)	21.2	29.4	42	58	72	93
IRS BF C (Hot)	13.5	22.1	31.4	44	54	70
IRS BF C (Cold)	13.6	17.2	31.5	44.2	54.2	70.1

## TECHNICAL DATA SHEET



# BRISTAN

D3