

# MI BF BLK

## MILA Tap Range Mila Bath Filler Tap Black



### Specification

<b>Product Type:</b>	Bathroom Taps
<b>Main Construction Material:</b>	Brass
<b>Mount Type:</b>	Deck
<b>Handle Type:</b>	Round
<b>Connection Inlet:</b>	3/4" BSP
<b>Connection Outlet:</b>	M24 Aerator
<b>Number of Tap Holes:</b>	2
<b>Valve/Cartridge Type:</b>	3/4" Ceramic Disc Valve - 1/4 turn
<b>Plumbing System Requirements:</b>	Suitable for all plumbing systems
<b>Minimum Dynamic Pressure (bar):</b>	0.2 bar
<b>Maximum Dynamic Pressure (bar):</b>	5 bar
<b>Maximum Hot Water Temperature °C:</b>	60°C
<b>Maximum Static Pressure (bar):</b>	10 bar
<b>Flow Type:</b>	Single
<b>Isolation Included:</b>	No

### Features:

- You really can count on Bristan taps as they are designed, engineered and tested to last with our precise glide and secure fix components plus a modern black finish, all under a 10 Year guarantee for peace of mind
- A black finish that will make a statement in any bathroom
- Long life and easy to use 1/4 turn ceramic disc valves
- Supplied with metal fixing nuts for added durability and to secure your tap in place
- Easy-to-use lever handles

### Product Certifications:

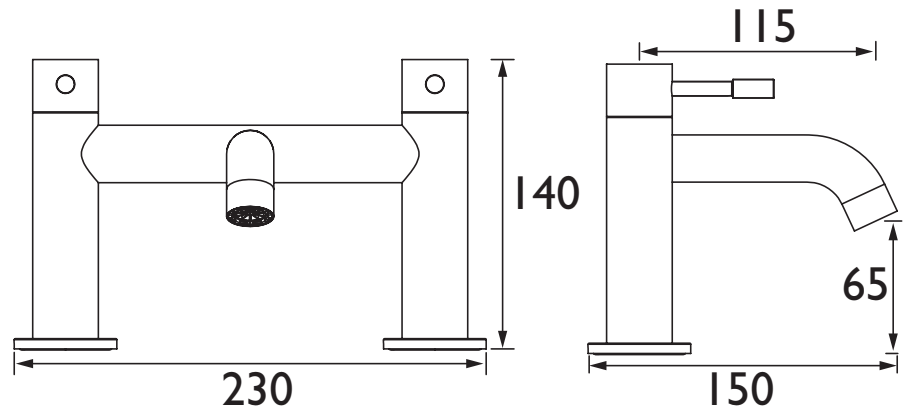


WRAS Certificate No: 2204909  
WRAS Expiry Date: 30/04/2027

For more products, visit our website:  
<http://www.bristan.com>



### Dimensions (measurements in mm)



### Flow Rates (l/min)

System Pressure (bar)	0.2	0.5	1	2	3	5
MI BF BLK (mixed)	19.9	32.8	46.9	66.8	80.3	103.7

## TECHNICAL DATA SHEET



# BRISTAN

D2