

Support Rail with Concealed Fixings Fitting Instructions

GRAB 450 W, GRAB 450 B
GRAB 600 W, GRAB 600 B

Congratulations on purchasing your Support rail.

The support rail offers a safe supporting hold providing:

- Maximum rated load of 200kg.
- Complies with DocM requirements.
- Available in 450mm and 600mm versions.



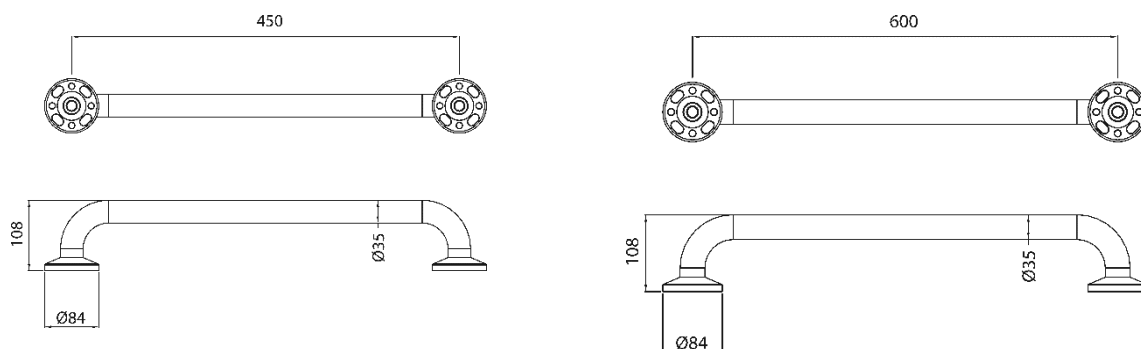
Warning: Before fitting, ensure that there are no concealed electrical cables or pipes where the fixing holes are to be drilled. This can be checked using electronic detecting tool. If installing a metallic rail in a bath/shower area the rail may need to be earthed (IEE wiring regulations); not all rails are suitable for use in a wet area.

1. Ensure the wall and fixings being used are suitable. Bristan are unable to specify fixings due to the number of fixing/wall type combinations.
2. Position the Support Rail on the wall in a horizontal position.
3. Drill the holes to the correct depth for the wall and fixing type used.
4. Ensure the Support Rail is securely fastened to the wall and fit the flange covers to conceal the fixings.

If in doubt about anything on this sheet consult a suitably qualified professional with experience in fitting products of this nature.

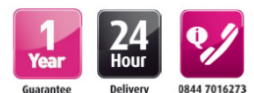
Using the Support Rail

- Before first use, check that the Support Rail is securely fixed to the wall.
- Use the Support Rail to assist, NEVER apply full weight to the product.
- Regularly clean the Support Rail with a non-abrasive cleaner.
- All fixings and bolts should be checked on a regular basis by a competent person.



Please Note: Any fixings supplied in this package will not suit every type of wall. Consult a competent person if unsure.

Bristan, Birch Coppice Business Park, Dordon, Tamworth, B78 1SG
Telephone: 0844 701 6274 Facsimile: 0844 701 6275
Web Site: www.bristan.com Email: enquire@bristan.com



The information contained on this page was correct at date of issue. Fitting dimensions are provided as a guide only. Some variation may occur due to manufacturing tolerances. Bristan pursues a policy of continuing improvement in design and performance of its products and so reserves the right to change specifications without prior notice.