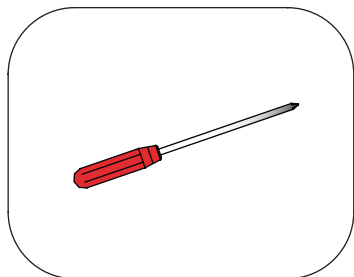
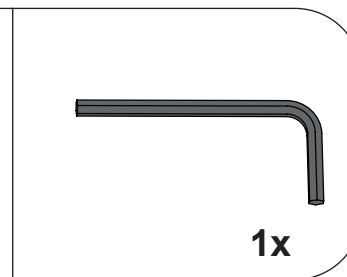
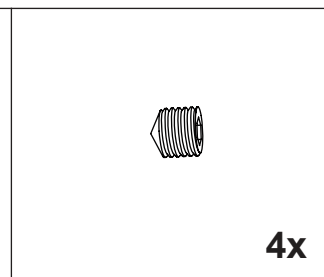
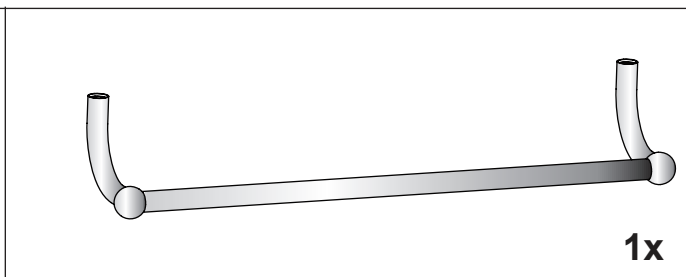
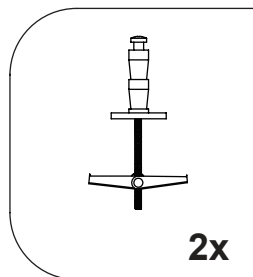


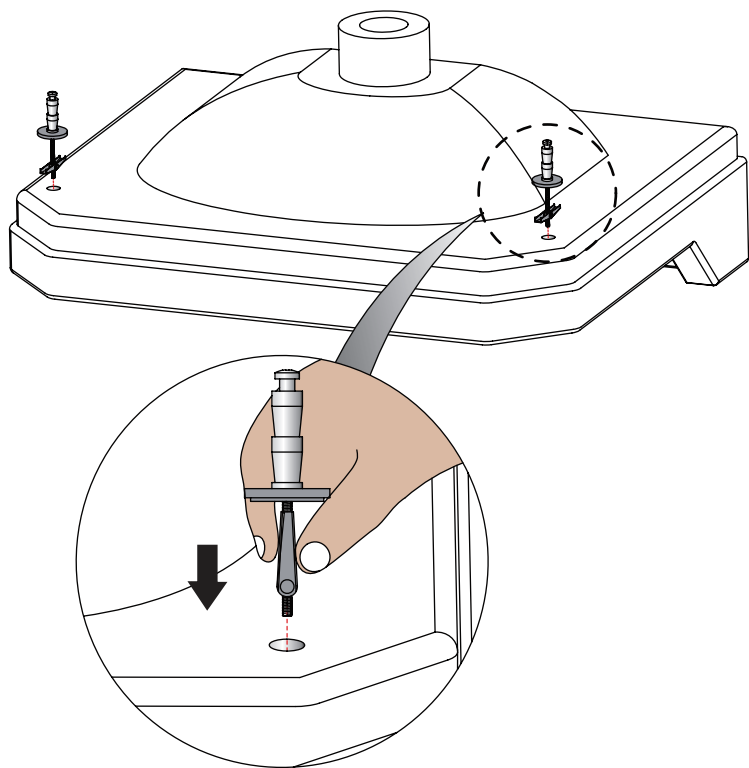
### Tools required:



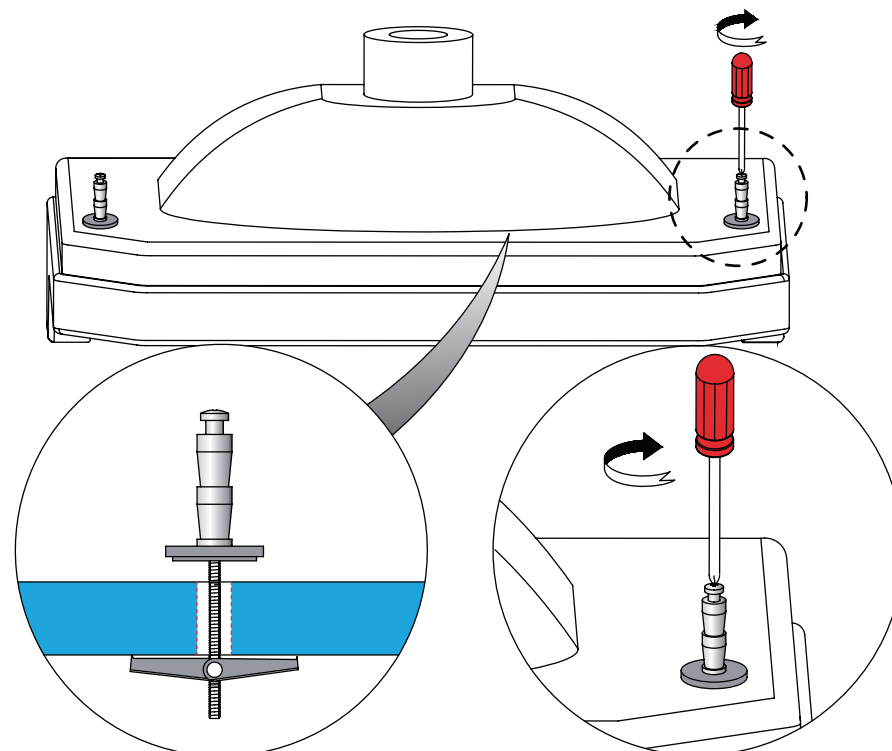
### Parts supplied:



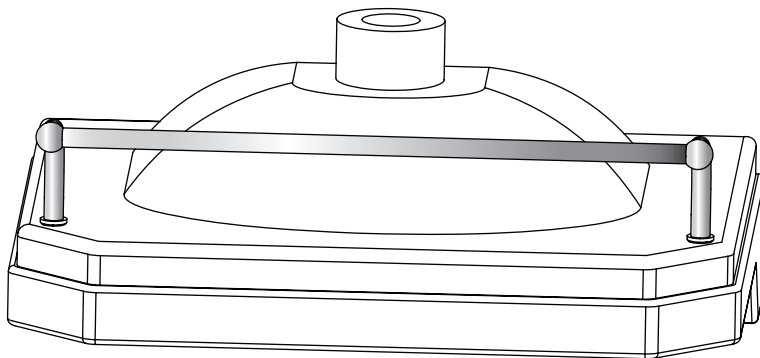
- ① Insert the towel rail fixing bolt into each of the fixing holes located underneath the basin.



- ② Pull the fixing bolt up so that it catches on the inner surface of the basin, and then tighten, but only tight enough to prevent the fitting sliding too much.

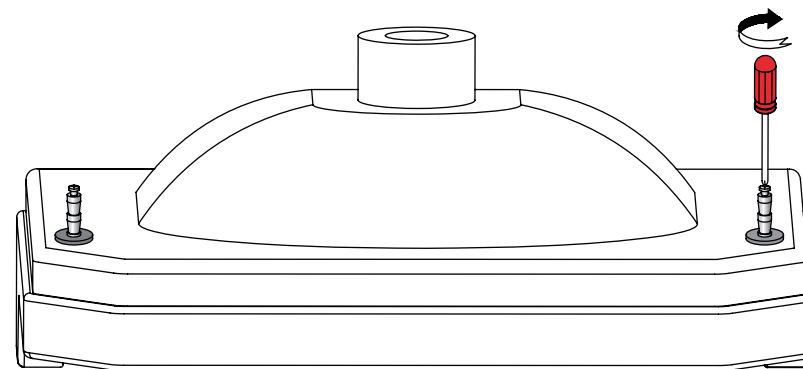


**3** a: Offer up the rail and push fully home to the plate – this then centers the fitting in the basin.



a:

b: Pull the rail off the connectors, without moving the fittings, and fully tighten the connectors to the basin.



b:

**4** Refit the rail to the connectors and lock in position with the 4 grub screws.

