

EXTERNALLY SILICONE SEAL THE WALL PROFILES WHERE THEY MEET THE WALL AND THE BOTTOM PROFILE WHERE IT MEETS THE TRAY. ALL IN A CONTINUOUS BEAD.

ALSO SILICONE SEAL THE PLASTIC MOULDINGS AND 150mm HIGH AS SHOWN IN THE DETAILED VIEW BELOW.

DO NOT SILICONE INSIDE THE ENCLOSURE.

ALLOW THE SILICONE AT LEAST 24 HOURS TO FULLY CURE.

**AFTERCARE** - ENSURE YOU CLEAN YOUR PRODUCT USING A MILD DETERGENT DILUTED IN WATER, REMOVING ANY RESIDUE WITH A SOFT DAMP CLOTH.

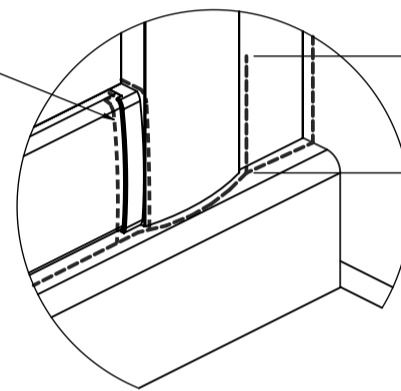
**MAINTENANCE** - ENSURE MOVING PARTS ARE FREE FROM ANY DEBRIS OR SOAP BUILD UP.

**SHOWER ENCLOSURE WITH WHEELS** - THE WHEELS MUST ROTATE FREELY AND THE SPRING LOADED MECHANISM IN THE BOTTOM WHEELS MUST OPERATE WITHOUT INTERFERENCE.

**TROUBLE SHOOTING GUIDE**

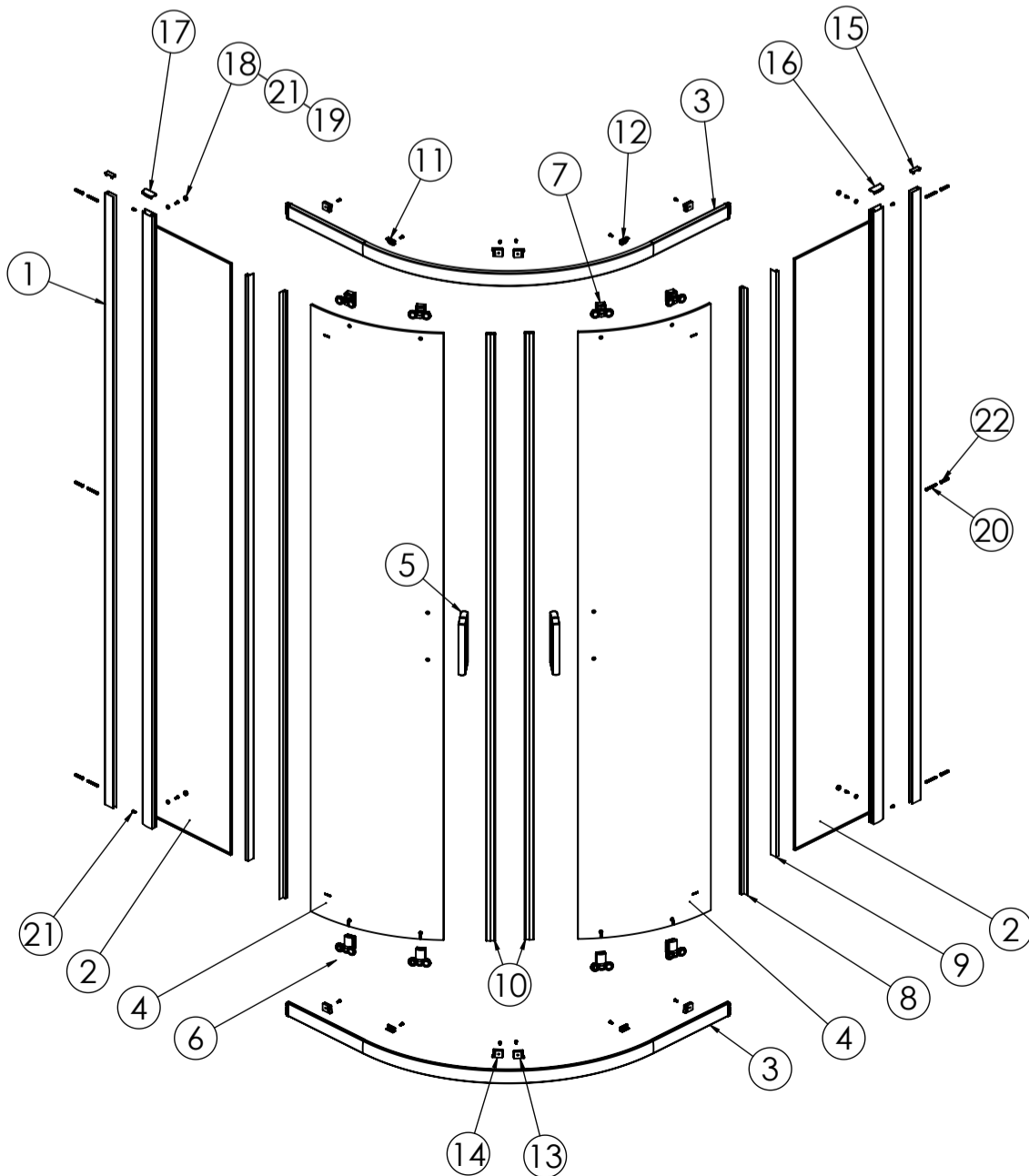
1. IS THE TRAY LEVEL? (SEE STEP 1).
2. ARE THE TOP AND BOTTOM TRACKS FULLY INSERTED AND FLUSH WITH THE GLASS PROFILES? (SEE STEP 2).
3. ARE THE RETAINER SCREWS FITTED TO LOCK THE TRACK IN PLACE? (SEE STEP 2).
4. DO THE FINISHED TRAY MEASUREMENTS COMPLY WITH THE ADJUSTMENTS LISTED IN THE PRODUCT SPECIFICATION?
5. WHEN CONSIDERING THE LENGTH OF THE TOP TRACK ALSO CONSIDER THE GLASS PROFILES THAT ARE SECURED TO IT WHICH INCREASE ITS LENGTH.
6. ONCE INSTALLED LEAVE THE ENCLOSURE DOORS IN THE CLOSED POSITION WHEN NOT IN USE AS MAGNET STRENGTH WILL INCREASE OVER THE FIRST WEEK.

SILICONE THE PLASTIC MOULDING WITH AS SMALL A BEAD AS POSSIBLE.



WHERE THE FRAME GLASS MEETS THE WALL PROFILE.

**QUAD / OFFSET QUAD EASY FIT ENCLOSURE INSTRUCTION**



UNPACK THE BOX AND ENSURE ALL COMPONENTS ARE PRESENT.

NO REFUNDS OR REFITTING COST WILL BE GIVEN IF INCOMPLETE OR DAMAGED GOODS ARE FITTED.

THE TOUGHENED SAFETY GLASS SHOULD BE HANDLED WITH CARE AS IMPACTS WILL DAMAGE THE GLASS OR ENCLOSURE.

FIT THE SHOWER TRAY AS PER THE MANUFACTURER'S INSTRUCTIONS.

**NOTE:** IF THE TRAY ISN'T TRUE AND LEVEL, IT MUST BE RECTIFIED BEFORE SILICONING AROUND THE TOP EDGE OF THE TRAY WHERE IT MEETS THE TILES. ALLOW THE SILICONE TO DRY BEFORE FITTING THE ENCLOSURE.

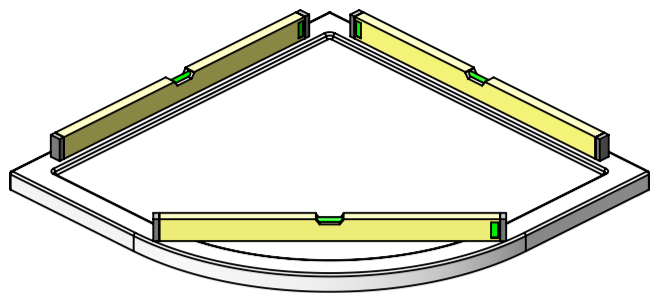
THE ENCLOSURE INSTALLATION IS RECOMMENDED AS A TWO PERSON OPERATION.

**TOOLS REQUIRED**

POWER DRILL - 3mm DRILL BIT - 6mm MASONRY DRILL BIT - CROSS HEAD SCREW DRIVER - TAPE MEASURE - PENCIL - SILICONE GUN WITH SANITARY GRADE SEALANT - SPIRIT LEVEL - RUBBER HEAD MALLETT.

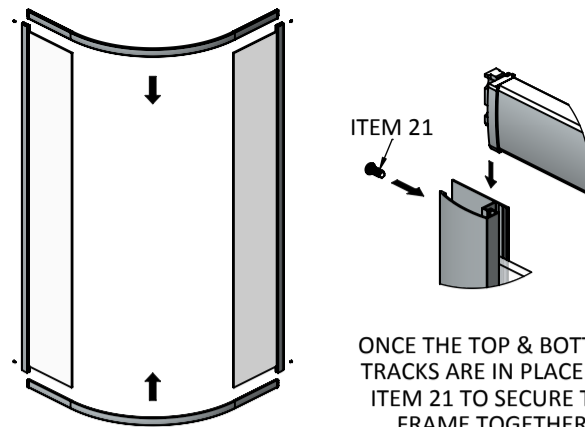
ITEM NO.	DESCRIPTION	Notes	QTY
1	WALL PROFILE		2
2	FIXED GLASS PANEL		2
3	TOP/BOTTOM TRACK		2
4	DOOR GLASS		2
5	HANDLE SUB ASSEMBLY		2
6	BOTTOM ROLLER		4
7	TOP ROLLER		4
8	VERTICAL SEAL - 1833mm	CUT TO LENGTH AS REQUIRED	2
9	VERTICAL SEAL - 1768mm	CUT TO LENGTH AS REQUIRED	2
10	DOOR MAGNET - 1833mm	CUT TO LENGTH AS REQUIRED	2
11	GLASS CLIP LH		2
12	GLASS CLIP RH		2
13	BUMP STOP LH		4
14	BUMP STOP RH		4
15	WALL PROFILE CAP		2
16	GLASS PROFILE CAP RH		1
17	GLASS PROFILE CAP LH		1
18	SCREW CUP COVER		4
19	SCREW CUP		4
20	3.9 x 40mm PAN HD SELF TAPPER ST.STL	FOR FIXING TO WALL	6
21	3.9 x 10mm PAN HD SELF TAPPER ST.STL		20
22	WALL PLUG		6

1



ENSURE THE TRAY IS LEVEL IN ALL PLANES.

2



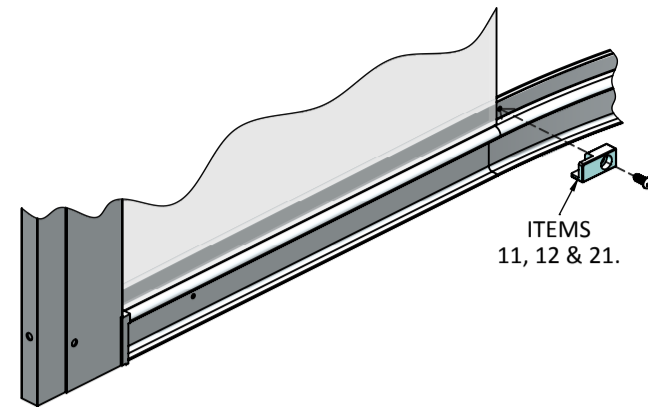
SLIDE THE TOP & BOTTOM TRACKS INTO THE GLASS PROFILES UNTIL FLUSH.

ONCE THE TOP & BOTTOM TRACKS ARE IN PLACE USE ITEM 21 TO SECURE THE FRAME TOGETHER.

USE A HAND SCREWDRIVER.  
DO NOT OVERTIGHTEN.

3

FIT THE BOTTOM GLASS CLIP UNDER THE GLASS (ITEMS 11 & 12). ONLY TIGHTEN THE SCREW, ITEM 21, PART WAY. FIT THE TOP GLASS CLIP AND TIGHTEN ALL SCREWS.



ITEMS 11, 12 & 21.

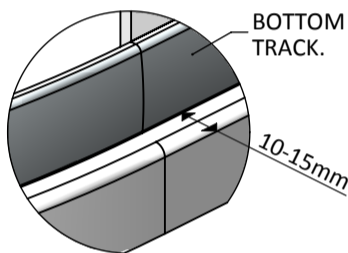
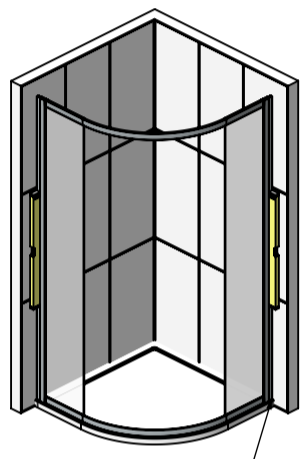
ITEM 1

**PLEASE NOTE:**  
PARTIALLY INSERT THE WALL PROFILES INTO THE FIXED GLASS PROFILE. DO NOT PUSH THEM ALL THE WAY IN AS THIS MAY SCRATCH THE PROFILES.

4

#### IMPORTANT

OFFER THE FRAME ONTO THE TRAY FIRST. SET THE CURVED FACE OF THE TRACK 10-15mm BACK FROM THE CURVED FACE OF THE TRAY, AS A GUIDE. MAKE SURE THE WALL PROFILES REACH THE WALL. IF THEY DON'T, MOVE THE QUAD FURTHER BACK EVENLY. NOW MARK THE WALL PROFILE POSITION WITH A PENCIL AND REMOVE THE FRAME.

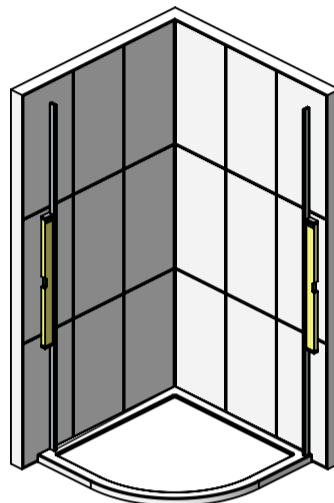


MARK POSITION WITH A PENCIL.

BOTTOM TRACK.

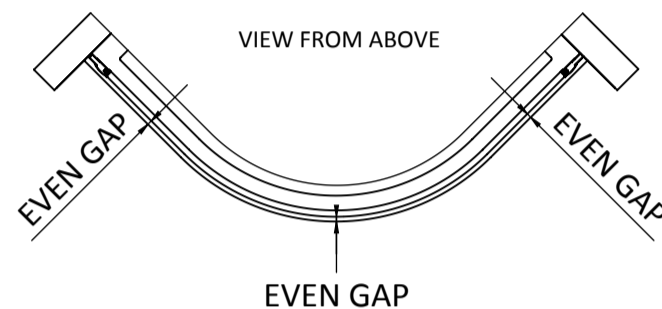
10-15mm

5



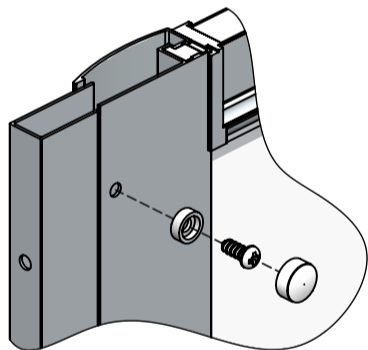
MAKE SURE THE WALL PROFILES ARE TRUE WITH A SPIRIT LEVEL. MARK THROUGH THE FIXING HOLES WITH A PENCIL. REMOVE PROFILES, DRILL AND PLUG THE WALLS (ITEMS 22). THE WALL PLUGS SUPPLIED MAY NOT BE SUITABLE FOR YOUR SUBSTRATE, USE SUITABLE FIXINGS. FIX THE WALL PROFILES IN PLACE USING ITEM 20.

6



FIT THE FRAME OVER THE WALL PROFILES, ADJUSTING UNTIL THERE'S AN EVEN GAP BETWEEN THE FRONT EDGE OF THE TRAY AND BOTTOM TRACK. THERE SHOULD ALSO BE AN EQUAL AMOUNT OF FRAME IN EACH WALL PROFILE. ENSURE THE FRAME IS TRUE AND SQUARE ON BOTH SIDES BEFORE IT IS FIXED IN PLACE, USE A SPIRIT LEVEL ON THE EDGE OF THE FIXED GLASS PANEL.

7



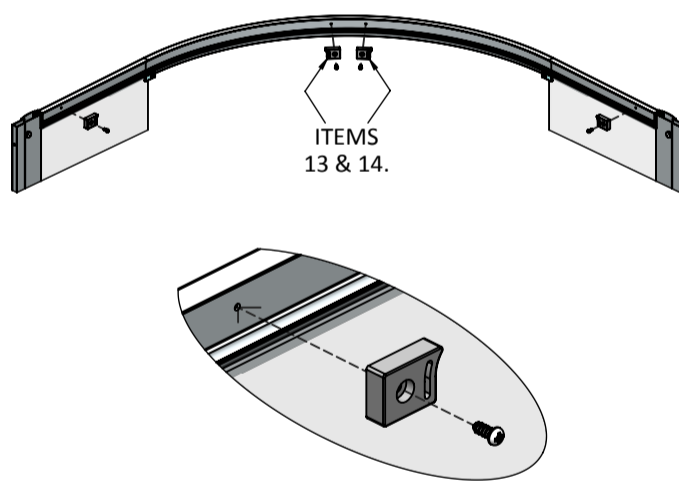
WHEN THE FRAME IS READY TO BE FIXED DRILL THROUGH THE HOLES IN THE GLASS PROFILE WITH A 3mm DRILL BIT.

**MAKE SURE YOU ONLY DRILL ONE WALL THICKNESS.**

THEN FIX THE FRAME USING ITEMS 18, 19 & 21.

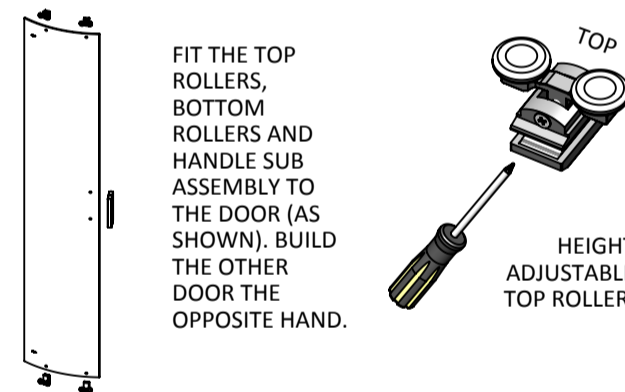
**DON'T OVER TIGHTEN SCREWS.**

8



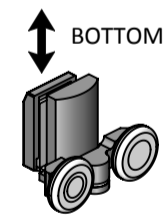
FIT THE BUMP STOPS (ITEMS 13 & 14) TO THE TOP AND BOTTOM TRACKS WITH ITEM 21. DO NOT OVERTIGHTEN THE SCREW, OTHERWISE IT WILL SHOW THROUGH ON THE FRONT FACE OF THE TRACK.

9



FIT THE TOP ROLLERS, BOTTOM ROLLERS AND HANDLE SUB ASSEMBLY TO THE DOOR (AS SHOWN). BUILD THE OTHER DOOR THE OPPOSITE HAND.

HEIGHT ADJUSTABLE TOP ROLLER.



TURN THE TOP ROLLER ADJUSTER SCREW UNTIL THERE IS AN EQUAL GAP BEFORE FITTING.

SLIDE THE COVER ON AFTER FITTING.

SPRING LOADED BOTTOM ROLLER.

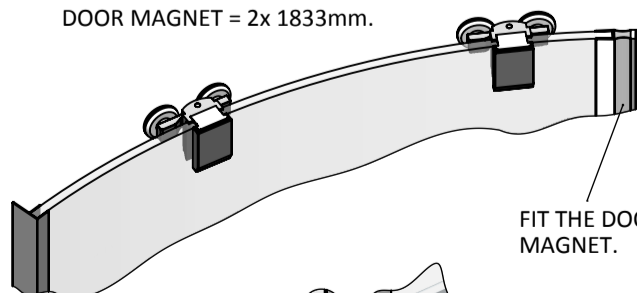
10

CUT THE VERTICAL PVC SEALS TO LENGTH AS FOLLOWS, IF NECESSARY:

DOOR SEALS = 2x 1833mm.  
FIXED PANEL SEALS = 2x 1768mm.

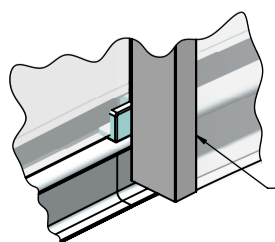
CUT THE DOOR MAGNET TO LENGTH AS FOLLOWS:

DOOR MAGNET = 2x 1833mm.



FIT THE DOOR MAGNET.

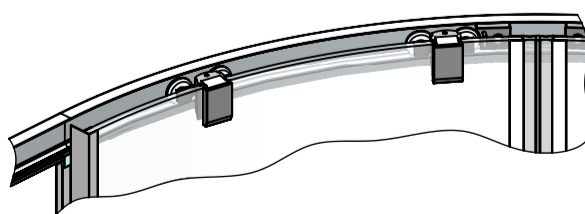
FIT THE DOOR SEAL WITH THE BLADE POINTING TOWARDS THE FIXED GLASS PANEL.



FIT THE FIXED GLASS SEAL WITH THE BLADE POINTING TOWARDS THE DOOR.

11

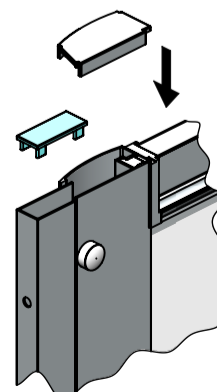
HANG THE DOOR ON THE TOP TRACK, ENSURING THE WHEELS ARE LOCATED IN THE PROFILE CHANNEL. THEN FROM THE OUTSIDE PUSH DOWN ON THE BOTTOM ROLLERS TO LOCATE THEM INTO THE BOTTOM TRACK CHANNEL.



WHEN BOTH DOORS ARE FITTED TURN THE ADJUSTER SCREW ON THE TOP ROLLERS TO LEVEL THE DOORS AND MAKE THEM TRUE TO EACH OTHER.

**NOTE:** WHEN THE DOOR HITS THE TOP BUMP STOP IT SHOULD HIT THE BOTTOM BUMP STOP AT THE SAME TIME.

12



FIT THE ENCLOSURE TOP CAPS.

