

# DUL 3/4 C

## DESIGN UTILITY LEVER Tap Range Design Utility Lever Bath Taps Chrome



### Features:

- Metal Backnuts
- Ceramic Disc
- 3/4" valve
- 
- 

### Product Certifications:

WRAS Certificate No: 1703001



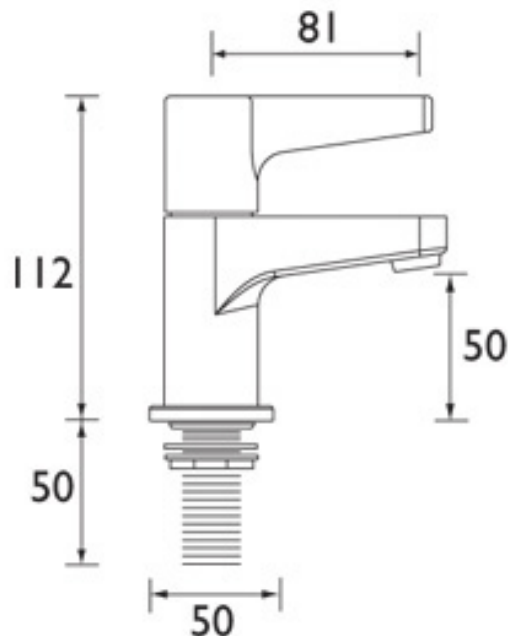
For more products, visit our website:



### Specification

<b>Style:</b>	Contemporary
<b>Product Type:</b>	Taps
<b>Finish/Colour:</b>	Chrome
<b>Main Construction Material:</b>	Body is of Brass Construction
<b>Mount Type:</b>	Deck
<b>Handle Type:</b>	Paddle
<b>Connection Inlet:</b>	3/4" BSP
<b>Number of Tap Holes Required:</b>	2
<b>Valve/Cartridge Type:</b>	3/4" Ceramic Disc Valves
<b>Plumbing System Suitability</b>	All
<b>Working Pressure Range:</b>	Min. 0.2 bar, Max. 8.0 bar
<b>Maximum Hot Water Temperature: °c</b>	65
<b>Maximum Dynamic Pressure: (bar)</b>	8
<b>Maximum Static Pressure: (bar)</b>	10
<b>Flow Type:</b>	Single Flow
<b>Flow Rate: (l/min @ 3 bar)</b>	45.7
<b>Connection Outlet:</b>	
<b>Isolation Included:</b>	No

### Dimensions (measurements in mm)



### Flow Rates (l/min)

System Pressure (bar)	0.2	0.5	1	2	3	5
<b>DUL 3/4 C</b>	10.6	18.1	26.1	37.2	45.7	57.1

**TECHNICAL  
DATA  
SHEET**



**BRISTAN**  
TAPS & SHOWERS

D5