

# FZ SHXVOCTFF C

## COOLTOUCH ShowerRange

Frenzy Cool Touch Bar Mixer  
Valve Only with Fast Fit



### Specification

Main Construction Material:	Brass
No of Controls:	2
Shower Type:	Bar
Shower Head Type:	None
Valve/Cartridge Type:	Exposed
Maximum Hot Water Supply Temperature	60
Maximum Static Pressure: (bar)	10
Plumbing System Suitability:	All - Ideally balanced
Working Pressure Range:	0.2-5.0 bar
Connection Inlet:	15mm Compression
Connection Outlet:	G 1/2"
Isolation Valve Included:	No
Check Valve Included:	No

### Features:

- 15mm inlet connections
- Thermostatic cartridge with preset temperature stop at 38°C, can be over-riden to a maximum of 46°C
- Unique Safe Touch technology ensures the valves stays cool to the touch while in use
- Dual control - flow and temperature are controlled separately
- Supplied with a wall mount 10 fixing kit for easier retro installation

### Product Certifications:



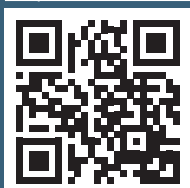
WRAS Expiry Date : 31/10/2019  
WRAS Cert No : 1410916



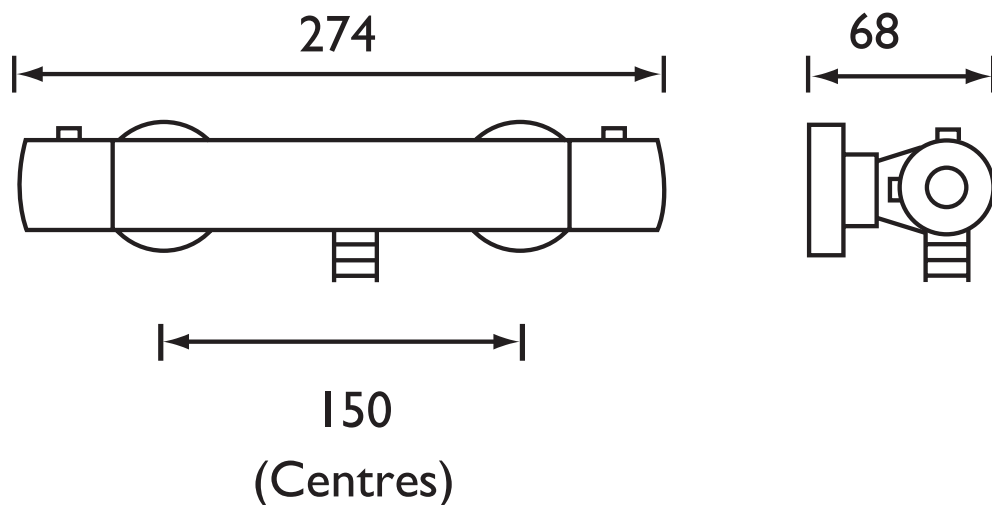
TMV2 Expiry : 16/03/2020 TMV2  
Cert No : NSF2153/0519



For more products, visit our website:  
<http://www.bristan.com>



### Dimensions (measurements in mm)



### Flow Rates (l/min)

System Pressure (bar)	0.2	0.5	1	2	3	5
Open Outlet (Valve Fully Open)	4.2	7.5	11.2	15.8	19.4	25
Open Outlet (Eco Stop Position)	1.8	3.7	5.5	8.1	10.2	13.5

TECHNICAL  
DATA  
SHEET



# BRISTAN

D6