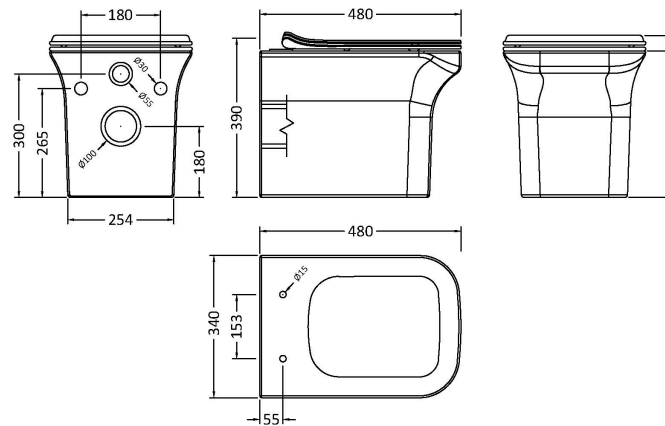


**Sales Code:** NCG540

**Description:** Ava Rimless Wall Hung Pan & Sc Seat



**Product Dimensions**

Height (mm):	390
Width (mm):	340
Depth (mm):	480
Nett Weight (kg):	26

**Packaging Dimensions**

Height (mm):	530
Width (mm):	430
Depth (mm):	420
Gross Weight (kg):	29

**Packaging Data**

Box Colour:	Brown Cardboard Box - Printed
Box Qty:	1
Label Size:	x
Label Colour:	
Label Qty:	

**Outer Box Dimensions (If Applicable)**

Height (mm):	
Width (mm):	
Depth (mm):	
Gross Weight (kg):	
Barcode:	5056211885146

**Product Details**

Country of Origin:	China
Fitting Instruction:	No
Certification: CE & UKCA:	Yes WRAS: N/A WRAS No: N/A
Product Material:	Vitreous China
Fixing Supplied:	No

<b>Pans/Bidets:</b>	Trap Style: P Trap	Includes Seat: Yes
---------------------	--------------------	--------------------

<b>Seats:</b>	Seat Type: Sandwich	Material: Urea
	Function: Soft Close	Hinge Type: Top Fix
	Hinge Material: Stainless Steel	

<b>Cisterns:</b>	Operating Type: Not Applicable	Fittings: Not Applicable
	Lever Type: Not Applicable	

<b>Basins:</b>	Tap Hole: Not Applicable	Chain Stay Hole: Not Applicable
	Template: Not Applicable	Waste Type Req: Not Applicable
	Overflow Inc: Not Applicable	Overflow Cover: Not Applicable
	Inner Bowl Depth (mm): N/A	