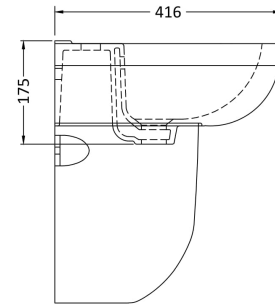
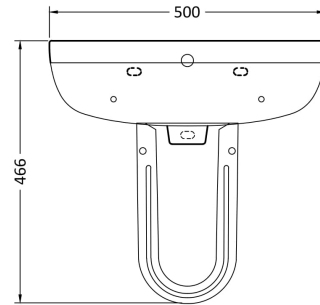
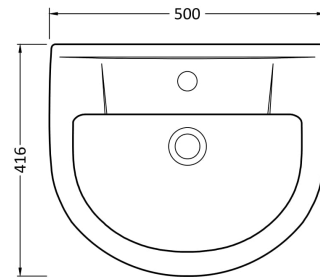


Sales Code: Chm004

Description: Harmony 500mm Basin & Semi Pedestal

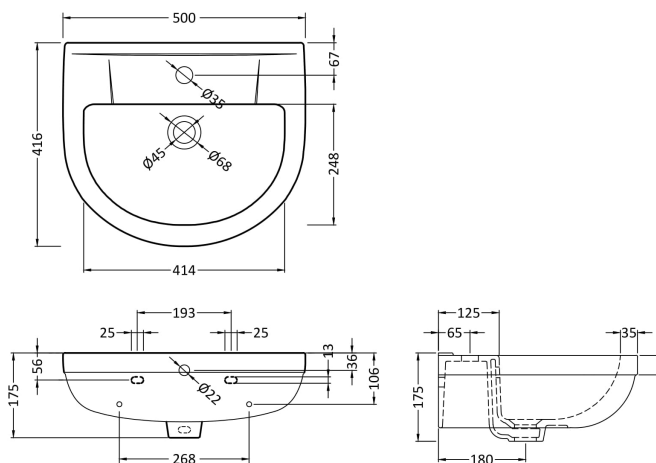


Packaging Details

Barcode: 5055275867419

Sales Code: NCH604

Description: Harmony 500 Basin 1Th



Product Dimensions

| | |
|-------------------|-----|
| Height (mm): | 175 |
| Width (mm): | 500 |
| Depth (mm): | 416 |
| Nett Weight (kg): | 15 |

Packaging Dimensions

| | |
|--------------------|------|
| Height (mm): | 192 |
| Width (mm): | 570 |
| Depth (mm): | 440 |
| Gross Weight (kg): | 15.2 |

Packaging Data

| | |
|---------------|---------------------|
| Box Colour: | Brown Cardboard Box |
| Box Qty: | 1 |
| Label Size: | 100 x 50 |
| Label Colour: | White Label |
| Label Qty: | 2 |

Outer Box Dimensions (If Applicable)

| | |
|--------------------|---------------|
| Height (mm): | |
| Width (mm): | |
| Depth (mm): | |
| Gross Weight (kg): | |
| Barcode: | 5055275827147 |

Product Details

| | |
|---------------------------|------------------------|
| Country of Origin: | China |
| Fitting Instruction: | No |
| Certification: CE & UKCA: | WRAS: N/A WRAS No: N/A |
| Product Material: | Vitreous China |
| Fixing Supplied: | No |

Pans/Bidets: Trap Style: Not Applicable Includes Seat: Not Applicable

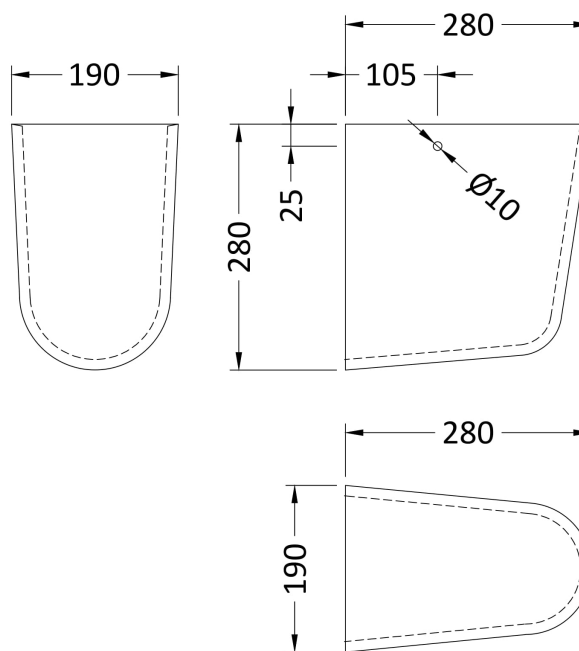
Seats: Seat Type: Not Applicable Material: Not Applicable
Function: Not Included Hinge Type: Not Relevant
Hinge Material: Not Applicable

Cisterns: Operating Type: Not Applicable Fittings: None Included
Lever Type: Not Applicable

Basins: Tap Hole: One Taphole Chain Stay Hole: No
Template: Not Required Waste Type Req: Slotted
Overflow Inc: Overflow Cover: Yes
Inner Bowl Depth (mm): 130mm

Sales Code: NCU807

Description: Semi Pedestal



Product Dimensions

| | |
|-------------------|-----|
| Height (mm): | 280 |
| Width (mm): | 190 |
| Depth (mm): | 280 |
| Nett Weight (kg): | 6.4 |

Packaging Dimensions

| | |
|--------------------|-----|
| Height (mm): | 300 |
| Width (mm): | 210 |
| Depth (mm): | 295 |
| Gross Weight (kg): | 6.6 |

Packaging Data

| | |
|---------------|-------------------------------|
| Box Colour: | Brown Cardboard Box - Printed |
| Box Qty: | 1 |
| Label Size: | 100 x 50 |
| Label Colour: | White Label |
| Label Qty: | 2 |

Outer Box Dimensions (If Applicable)

| | |
|--------------------|---------------|
| Height (mm): | |
| Width (mm): | |
| Depth (mm): | |
| Gross Weight (kg): | |
| Barcode: | 5055369031023 |

Product Details

| | |
|---------------------------|----------------------------|
| Country of Origin: | Turkey |
| Fitting Instruction: | No |
| Certification: CE & UKCA: | Yes WRAS: N/A WRAS No: N/A |
| Product Material: | Vitreous China |
| Fixing Supplied: | No |

Pans/Bidets: Trap Style: Not Applicable Includes Seat: Not Applicable

Seats: Seat Type: Not Applicable Material: Not Applicable
 Function: Not Applicable Hinge Type: Not Applicable
 Hinge Material: Not Applicable

Cisterns: Operating Type: Not Applicable Fittings: Not Applicable
 Lever Type: Not Applicable

Basins: Tap Hole: Not Applicable Chain Stay Hole: Not Applicable
 Template: Not Applicable Waste Type Req: Not Applicable
 Overflow Inc: Not Applicable Overflow Cover: Not Applicable
 Inner Bowl Depth (mm): N/A