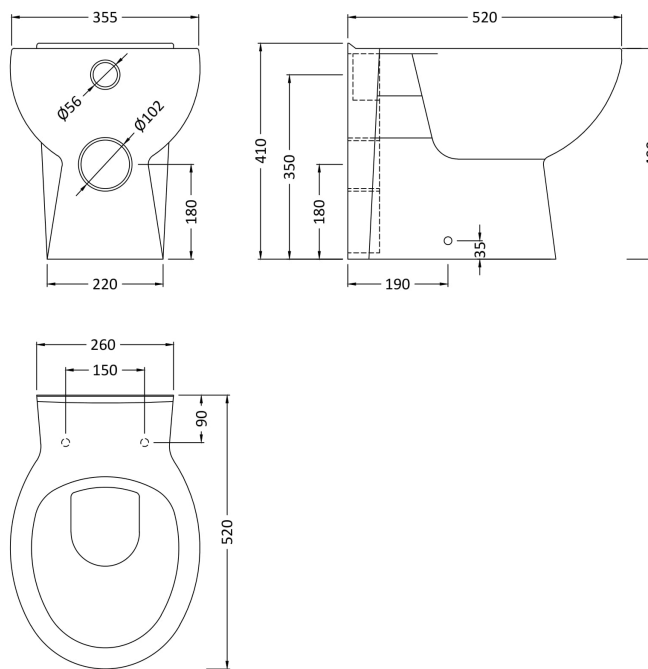


Sales Code: BTW002

Description: Standard Toilet Pan



Product Dimensions

| | |
|-------------------|------|
| Height (mm): | 0 |
| Width (mm): | 0 |
| Depth (mm): | 0 |
| Nett Weight (kg): | 18.5 |

Packaging Dimensions

| | |
|--------------------|-----|
| Height (mm): | 420 |
| Width (mm): | 395 |
| Depth (mm): | 555 |
| Gross Weight (kg): | 19 |

Packaging Data

| | |
|---------------|-------------------------------|
| Box Colour: | Brown Cardboard Box - Printed |
| Box Qty: | 0 |
| Label Size: | 0 x 0 |
| Label Colour: | Not Applicable |
| Label Qty: | 0 |

Outer Box Dimensions (If Applicable)

| | |
|--------------------|---------------|
| Height (mm): | |
| Width (mm): | |
| Depth (mm): | |
| Gross Weight (kg): | |
| Barcode: | 5055369003730 |

Product Details

| | |
|---------------------------|----------------|
| Country of Origin: | China |
| Fitting Instruction: | No |
| Certification: CE & UKCA: | Yes |
| WRAS: | N/A |
| WRAS No: | N/A |
| Product Material: | Vitreous China |
| Fixing Supplied: | No |

| | | |
|---------------------|--------------------|-------------------|
| Pans/Bidets: | Trap Style: P Trap | Includes Seat: No |
|---------------------|--------------------|-------------------|

| | | |
|---------------|--------------------------------|------------------------------|
| Seats: | Seat Type: Round | Material: Not Applicable |
| | Function: Not Applicable | Hinge Type: Top & Bottom Fix |
| | Hinge Material: Not Applicable | |

| | | |
|------------------|--------------------------------|--------------------------|
| Cisterns: | Operating Type: Not Applicable | Fittings: Not Applicable |
| | Lever Type: Not Applicable | |

| | | |
|----------------|------------------------------|---------------------------------|
| Basins: | Tap Hole: Not Applicable | Chain Stay Hole: Not Applicable |
| | Template: Not Applicable | Waste Type Req: Not Applicable |
| | Overflow Inc: Not Applicable | Overflow Cover: Not Applicable |
| | Inner Bowl Depth (mm): N/A | |