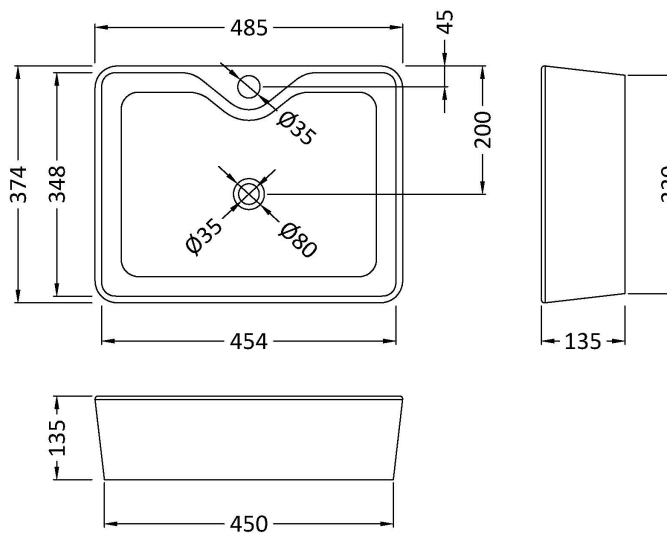


Sales Code: NBV119

Description: Vessel 485X374x135



**Product Dimensions**

Height (mm):	0
Width (mm):	0
Depth (mm):	0
Nett Weight (kg):	11.8

**Packaging Dimensions**

Height (mm):	150
Width (mm):	485
Depth (mm):	395
Gross Weight (kg):	12

**Packaging Data**

Box Colour:	Brown Cardboard Box
Box Qty:	0
Label Size:	0 x 0
Label Colour:	White Label
Label Qty:	0

**Outer Box Dimensions (If Applicable)**

Height (mm):	
Width (mm):	
Depth (mm):	
Gross Weight (kg):	
Barcode:	5055369028436

**Product Details**

Country of Origin:	China
Fitting Instruction:	Yes
Certification: CE & UKCA:	No
WRAS:	N/A
WRAS No:	N/A
Product Material:	Vitreous China
Fixing Supplied:	No

**Pans/Bidets:** Trap Style: Not Applicable Includes Seat: Not Applicable

**Seats:** Seat Type: Not Applicable Material: Not Applicable  
 Function: Not Applicable Hinge Type: Not Applicable  
 Hinge Material: Not Applicable

**Cisterns:** Operating Type: Not Applicable Fittings: Not Applicable  
 Lever Type: Not Applicable

**Basins:** Tap Hole: One Taphole Chain Stay Hole: No  
 Template: Not Required Waste Type Req: Unslotted  
 Overflow Inc: No Overflow Cover: No  
 Inner Bowl Depth (mm): 105mm