

# TECHNICAL DATA SHEET



## DESIGN UTILITY LEVER Bath Shower Mixer

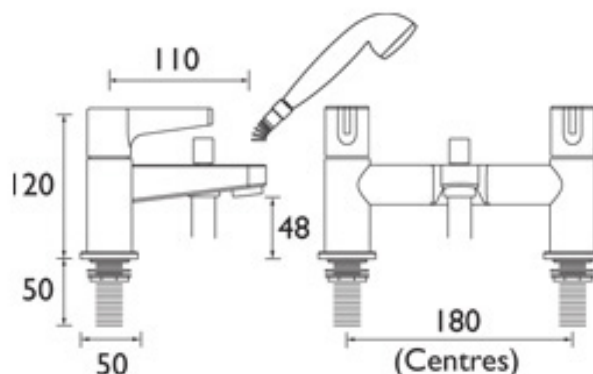
### Product Specification

Product Code:	DUL BSM C
Finish:	Chrome
Product Type:	Utility
Construction:	Body is of Brass Construction and is designed to conform to BS EN 200
Valve Type:	1/4 turn 3/4" Ceramic Disc Valves
Supply:	Suitable for all plumbing systems
Inlet Connections:	3/4" BSP
Water Pressure:	Min 0.2 bar, Max. 8.0 bar
Dimensions for Fitting:	180mm inlet centres



### Additional Information

- Includes single function, rub clean handset, handset holder and 1.75m hose
- Supplied with metal backnuts
- Chrome plated to BS EN 248



### Flow Rates (litres per minute)

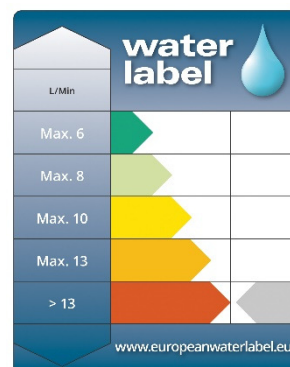
System Pressure	0.2bar	0.5bar	1.0bar	2.0bar	3.0bar	5.0bar
Bath Filler (Mixed)	14.6	25.4	36.5	52.3	64.8	83.7
Through Handset	5.7	7.7	12.6	20.7	35.9	45.2

### Compliance/Approvals

WRAS Approval No: 1209125

Technical Advice: For further information please call 0844 7016273 or email [customercare@bristan.com](mailto:customercare@bristan.com)

Guarantee: 5 years covering manufacturing faults.



Bristan, Birch Coppice Business Park, Dordon, Tamworth, B78 1SG  
Telephone: 0844 701 6274 Facsimile: 0844 701 6275  
Web Site: [www.bristan.com](http://www.bristan.com) Email: [enquire@bristan.com](mailto:enquire@bristan.com)



The information contained on this page was correct at date of issue. Fitting dimensions are provided as a guide only. Some variation may occur due to manufacturing tolerances. Bristan pursues a policy of continuing improvement in design and performance of its products and so reserves the right to change specifications without prior notice.