

R2 SHXRR C

REGENCY Shower Range Regency2 Thermostatic Surface Mounted Dual Control Shower Valve with Rigid Riser Chrome



Features:

- Rigid riser kit includes traditional shower rose
- Adjustable inlet centres mean you can use existing pipework with centres between 110mm and 155mm
- Supplied with 1 x 7l/m and 1 x 5l/m flow limiters

Product Certifications:



WRAS Certificate NO.: 1404020
WRAS Expiry Date: 30/04/2019



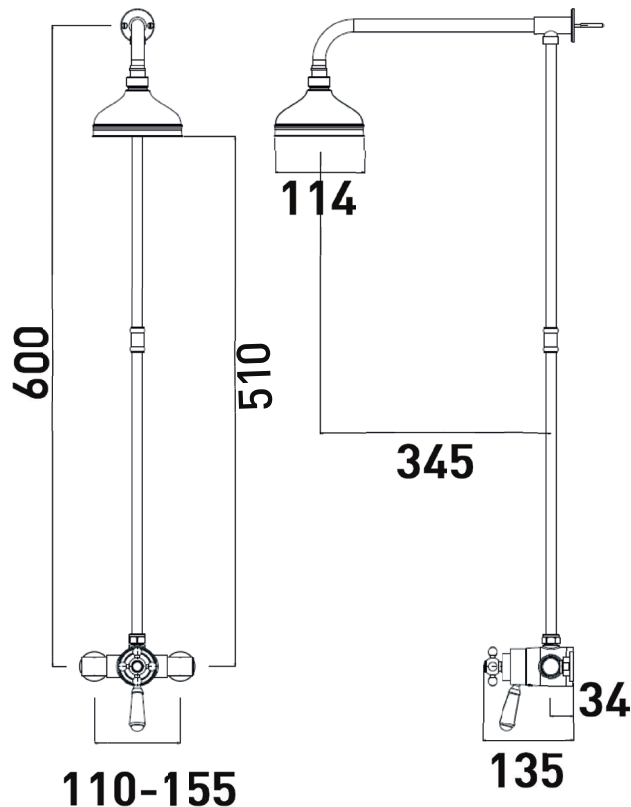
For more products, visit our website:
<http://www.bristan.com>



Specification

Finish/Colour:	Chrome
Main Construction Material:	Brass
No of Controls:	2
Shower Type:	Thermostatic
Shower Head Type:	Fixed Head
Valve/Cartridge Type:	Exposed
Maximum Hot Water Supply Temperature	65
Maximum Static Pressure: (bar)	10
Plumbing System Suitability:	All - Ideally Balanced
Working Pressure Range:	Min. 0.1 Bar - Max. 5.0 Bar
Flow Rate: (l/min @ 3 bar)	8.5
Connection Inlet:	15mm Compression Elbows
Connection Outlet:	G 1/2"

Dimensions (measurements in mm)



Flow Rates (l/min)

System Pressure (bar)	0.2	0.5	1	2	3	5
With Flow Regulators	--	--	7.6	10.7	13.16	16.9
Without Flow Regulators	7.9	12.49	17.66	24.98	30.59	39.5

TECHNICAL
DATA
SHEET



BRISTAN
TAPS & SHOWERS

D3