

PRISM SHWR PK2

PRISM Shower Range

Complete Prism Shower Pack 2



Features:

- 15mm inlet connections
- Dual control - flow and temperature are controlled separately
- Our classic Prism shower valve with integral two outlet diverter
- 200mm round shower rose, shower arm, wall outlet and a shower kit with multi-function handset
- Adjustable fixing brackets on riser rail enables existing screw holes to be used
- Pack includes:
PM2 SHCDIV C - Shower Valve
FH ABRD01 C - Shower Rose
ARM WARD01 C - Wall Arm
CAS KIT02 C - Rail & Handset

Product Certifications:



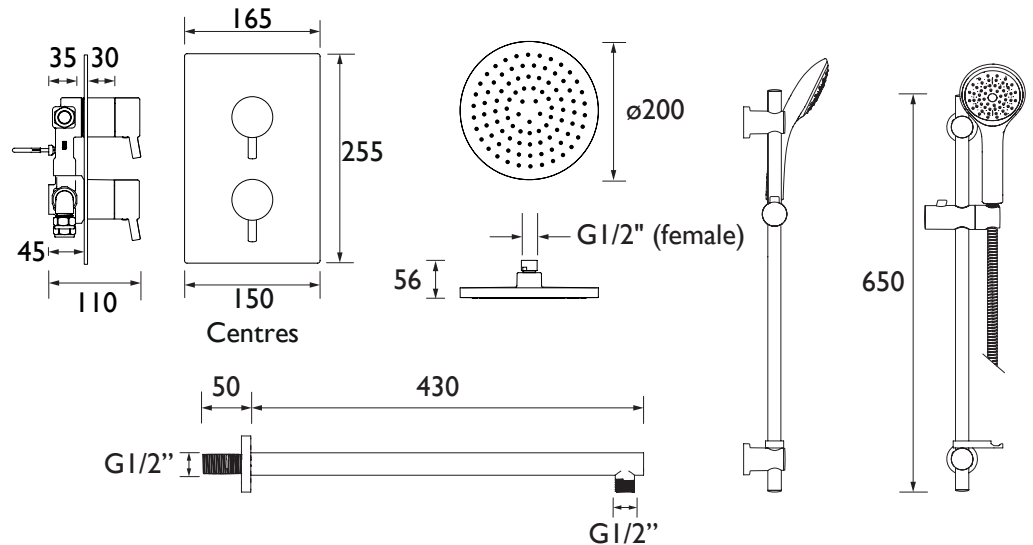
For more products, visit our website:
<http://www.bristan.com>



Specification

| | |
|--|-------------------------------------|
| Style: | Contemporary |
| Finish/Colour: | Chrome Plated |
| Main Construction Material: | Brass; ABS |
| No of Controls: | 3 |
| Shower Type: | Dual Control |
| Shower Head Type: | Fixed Head and Adjustable Riser Kit |
| Valve/Cartridge Type: | 3/4" Ceramic Disc Valve 1/4 turn |
| Maximum Hot Water Supply Temperature °C: | 65 |
| Maximum Static Pressure: (bar) | 10 |
| Plumbing System Suitability: | Suitable for all plumbing systems |
| Working Pressure Range: | Min: 0.2 bar, Max: 5 bar |
| Connection Inlet: | 15mm Compression |
| Connection Outlet: | G 1/2" |
| Isolation Valve Included: | No |
| Check Valve Included: | Yes |

Dimensions (measurements in mm)



Flow Rates (l/min)

| System Pressure (bar) | 0.2 | 0.5 | 1 | 2 | 3 | 5 |
|-----------------------|------|------|-------|------|-------|-------|
| Outlet 1 | 8.73 | 13.8 | 19.52 | 27.6 | 33.8 | 43.64 |
| Outlet 2 | 8.54 | 13.5 | 19.09 | 27 | 33.07 | 42.69 |
| | | | | | | |
| | | | | | | |

TECHNICAL DATA SHEET



BRISTAN

TAPS & SHOWERS

D4