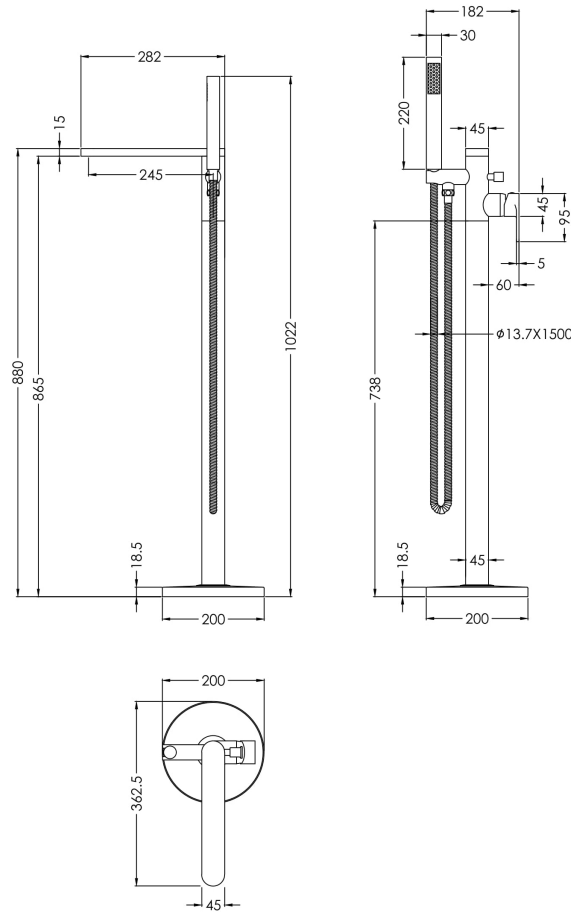
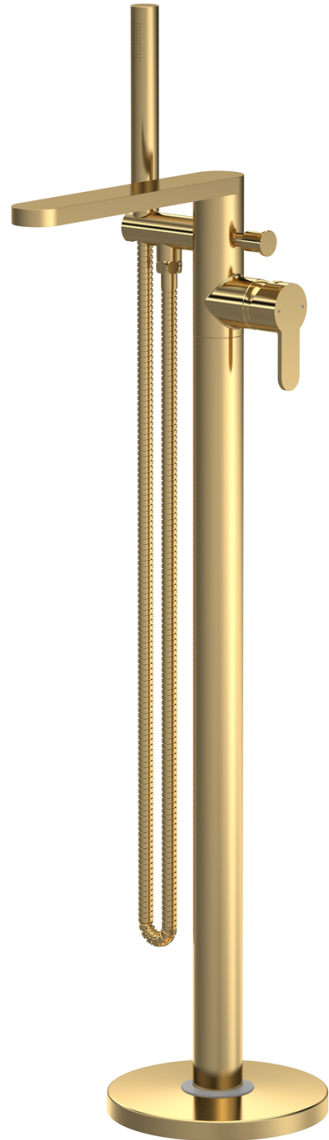


Sales Code: ARV821

Description: Arvan Freestanding Bsm



### Product Dimensions

|                   |      |
|-------------------|------|
| Height (mm):      | 880  |
| Width (mm):       | 200  |
| Depth (mm):       | 282  |
| Length (mm):      |      |
| Nett Weight (kg): | 6.17 |

### Packaging Dimensions

|                    |      |
|--------------------|------|
| Height (mm):       | 250  |
| Width (mm):        | 400  |
| Depth (mm):        | 980  |
| Gross Weight (kg): | 6.17 |

### Packaging Data

|               |                     |
|---------------|---------------------|
| Box Colour:   | White Cardboard Box |
| Box Qty:      | 0                   |
| Label Size:   | 0 x 0               |
| Label Colour: | White Label         |
| Label Qty:    | 0                   |

### Outer Box Dimensions (If Applicable)

|                    |               |
|--------------------|---------------|
| Height (mm):       | 250           |
| Width (mm):        | 400           |
| Depth (mm):        | 980           |
| Length (mm):       |               |
| Gross Weight (kg): |               |
| Barcode:           | 5056462601328 |

### Product Details

|                              |   |
|------------------------------|---|
| Country of Origin:           | China   |
| Fitting Instruction:         | No  |
| Product Material:            | Brass/ABS   |
| Control Type:                | Manual  |
| Waste Included:              | Waste Not Included  |
| Waste Type:                  | Not Applicable  |
| WRAS Approval: Yes           | Approval No: 2204057  |
| Valve/Cartridge Type:        | Single Lever Cartridge                                      |
| Colour/Finish:               | Brushed Brass   |
| Mount Type:                  | Floor Standing  |
| Operating Pressure (bar):    | 3   |
| Flow Rates: (Litres Per Min) | 0.1 bar: N/A 0.5 bar: N/A 1 bar: 11.6 2 bar: 17 3 bar: 21.1 |
| Pipe Size:                   | 1/2"  |
| Pipe Centres:                | N/A   |